

## Wireless Wall Mount Touch Slide Dimmer

SPECIFICATION	
CODE	LCDM700
VOLTS INPUT	12-24VDC
ZONES	4 independantly controlable
SCENES	3 favouritel evels saved per zone
FREQUENCY	434MHz/868MHz
RANGE	up to 20m depending on obstructions
IP RATING	IP20
WORKING TEMP	-25 to +45deg C
WARRANTY	2years
COLOUR	White
MOUNTING	Fits standard flush box
DIMENSIONS	75 x 120 x 41



**Multi Zone Dimmer**

### FEATURES:

- # Multi zone 4 independantly controllable zones.
- # Save up to 3 favourite scenes/brightness per zone.
- # Connects wirelssly to its receivers or slaves.
- # Elegant back lit glass face panel.
- # Latest touch slide technology.
- # Receiver/slaves can be directly controlled by Android/Apple devices after software download & WiFi converter.

### APPLICATIONS:

- # Wall mount dimming in any interior location.
- # Especially suitable where wires cant be run to receivers/slaves.

## Wireless Slave/Receiver

SPECIFICATION	
CODE	LCDM700SCV
VOLTS INPUT	12-36VDC
OUTPUT	4 x 5Amps (20Amps)
LOAD	240W@12V, 480W@24V, 720W@36V
FREQUENCY	434MHz/868MHz
RANGE	up to 20m depending on obstructions
IP RATING	IP20
WORKING TEMP	-25 to +45deg C
WARRANTY	2years
COLOUR	White
MOUNTING	Screw fixing
DIMENSIONS	46 x 178 x 18



**Up to 720Watts**

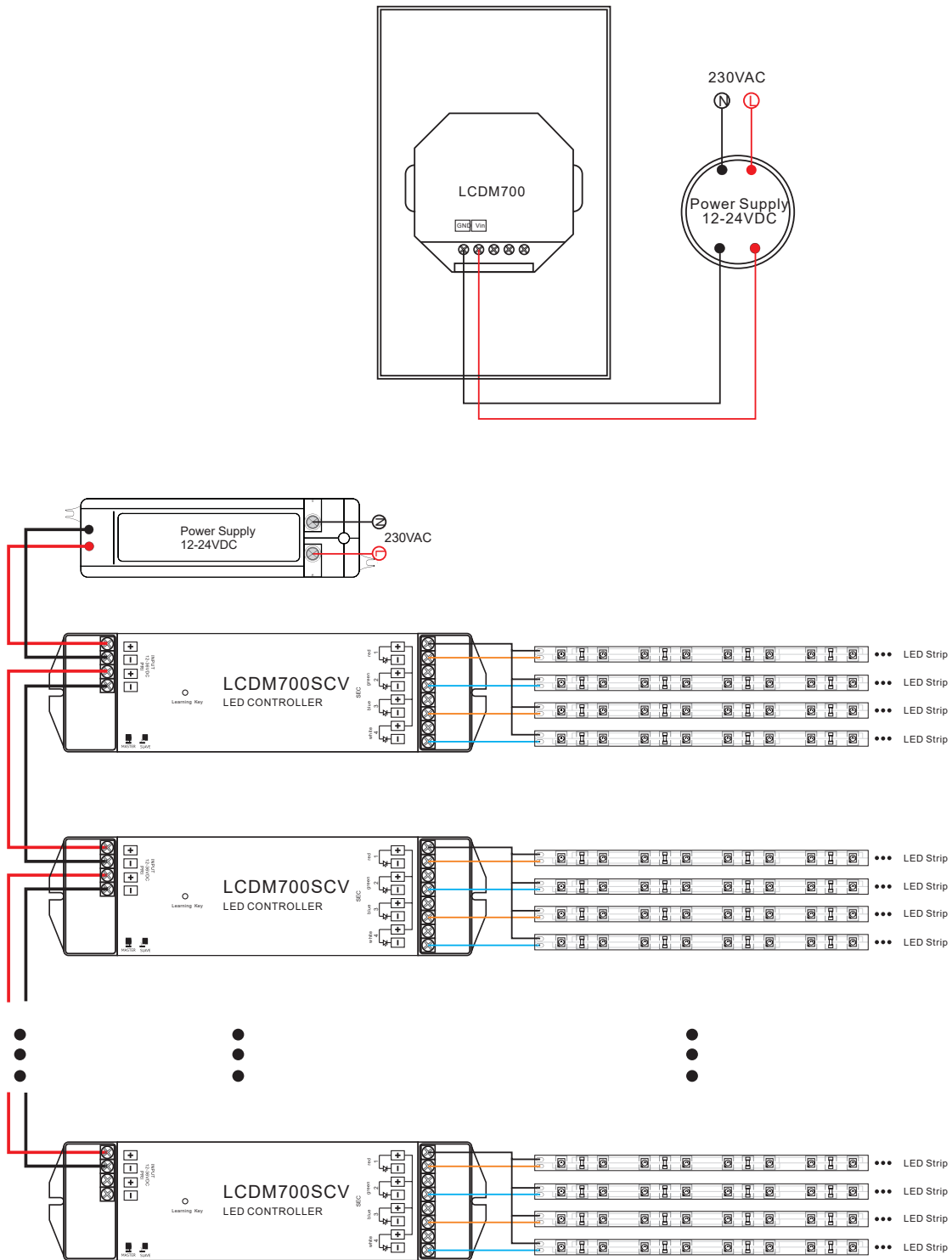
### FEATURES:

# Receiver/slaves can be directly controlled by Android/Apple devices after software download & WiFi converter.

### APPLICATIONS:

- # Works with wall mount wireless dim controller LCDm700.
- # Especially suitable where wires can't be run to receivers/slaves.
- # Suitable for Task Lighting LED strips 12-24VDC.

## Wireless Slave/Receiver Wiring Example



While every effort has been made to ensure the accuracy of all information provided Task Lighting can not be held responsible for any errors. Task Lighting also reserves the right to modify/delete product details without notice.