

DATA Repeater 15Amp



720W

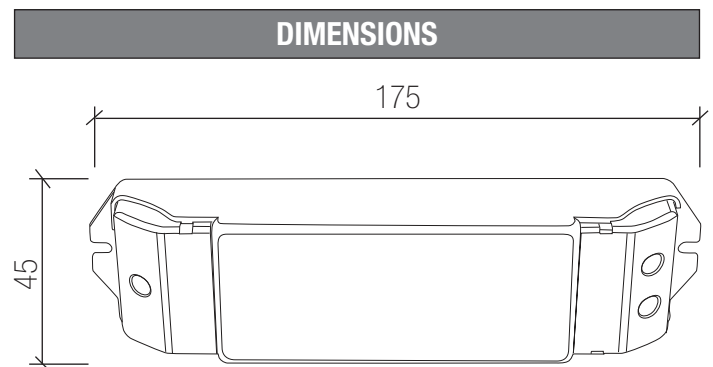
12-60V

3 CHANNEL

IP20

12-60VDC 5Amp x 3Channel

SPECIFICATION	
CODE	LCDRSD-EV3-H
INPUT VOLTAGE	12-60VDC
INPUT SIGNAL	PWM (pulse width modulation)
OUTPUT MODE	PWM (pulse width modulation)
OUTPUT CURRENT	15Amps (5Amp x 3 Channel)
OUTPUT POWER	180W @12VDC, 360W @24VDC, 720W @48VDC
OUTPUT VOLTS	12-60VDC (mirrors input)
DIMMING RANGE	0-100%
DIMENSIONS	175 x 45 x 27
EMC	EMC compliant
WORKING TEMP	-30 to +55degC
IP RATING	IP20
CONNECTIONS	Covered connector block



FEATURES:

- # High maximum voltage (60VDC).
- # Reverse polarity protection.
- # Covered connections.
- # 3KV optoelectronic isolation.

NOTE:

- # 5 Year warranty.
- # Installs between the LED strip and power supply.
- # Power supplies used for input should be a good quality DC switch mode type suitable for PWM loads on the output.
- # Needs the PWM output of an RGB controller or dimmer.

APPLICATIONS:

- # Extending RGB strip loads when the RGB controller has insufficient capacity.
- # Bars, restaurants, office and home lighting etc.
- # Single colour dimming using the individual channels.