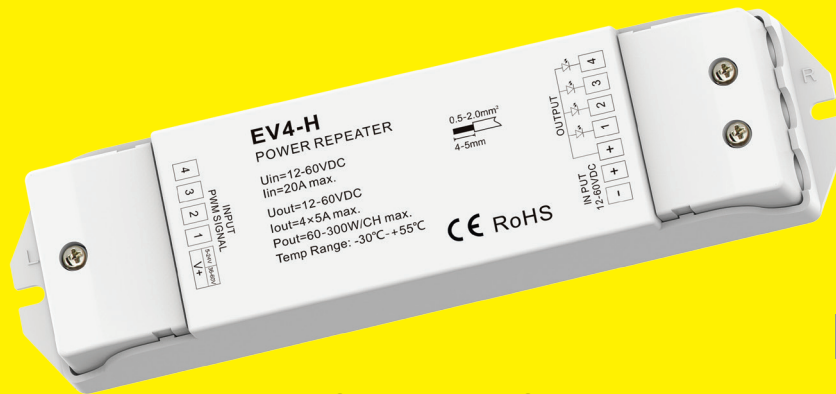


DATA Repeater 20Amp



960W

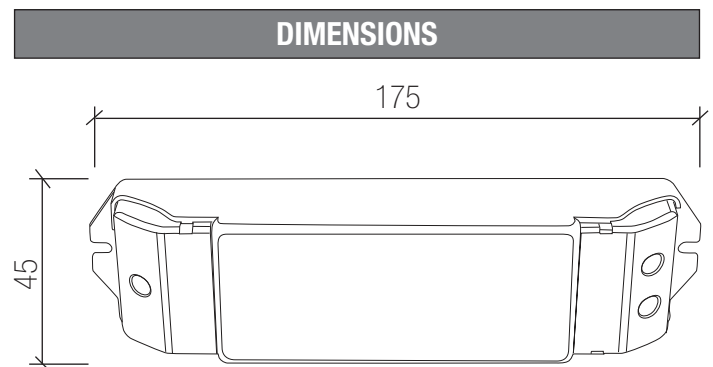
12-60V

4 CHANNEL

IP20

12-60VDC 5Amp x 4Channel

SPECIFICATION	
CODE	LCDRSD-EV4-H
INPUT VOLTAGE	12-60VDC
INPUT SIGNAL	PWM (pulse width modulation)
OUTPUT MODE	PWM (pulse width modulation)
OUTPUT CURRENT	20Amps (5Amp x 4 Channel)
OUTPUT POWER	240W @12VDC, 480W @24VDC, 960W @48VDC
OUTPUT VOLTS	12-60VDC (mirrors input)
DIMMING RANGE	0-100%
DIMENSIONS	175 x 45 x 27
EMC	EMC compliant
WORKING TEMP	-30 to +55degC
IP RATING	IP20
CONNECTIONS	Covered connector block



FEATURES:

- # High maximum voltage (60VDC).
- # Reverse polarity protection.
- # Covered connections.
- # 3KV optoelectronic isolation.

NOTE:

- # 5 Year warranty.
- # Installs between the LED strip and power supply.
- # Power supplies used for input should be a good quality DC switch mode type suitable for PWM loads on the output.
- # Needs the PWM output of an RGBW controller or dimmer.

APPLICATIONS:

- # Extending RGBW strip loads when the RGBW controller has insufficient capacity.
- # Bars, restaurants, office and home lighting etc.
- # Single colour dimming using the individual channels.