

## DATA Repeater 20Amp IP67



720W

12-36V

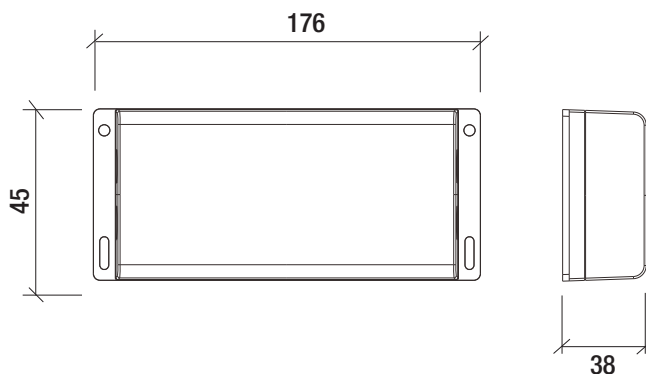
4 CHANNEL

IP67

**12-36VDC 5Amp x 4Channel**

SPECIFICATION	
CODE	LCDRSD-EV4-H
INPUT VOLTAGE	12-36VDC
INPUT SIGNAL	PWM (pulse width modulation)
OUTPUT MODE	PWM (pulse width modulation)
OUTPUT CURRENT	20Amps (5Amp x 4 Channel)
OUTPUT POWER	240W @12VDC, 480W @24VDC, 720W @36VDC
OUTPUT VOLTS	12-36VDC (mirrors input)
DIMMING RANGE	0-100%
DIMENSIONS	176 x 45 x 38
EMC	EMC compliant
WORKING TEMP	-30 to +55degC
IP RATING	IP67
CONNECTIONS	Flying leads in/out

### DIMENSIONS



#### FEATURES:

- # High maximum voltage (36VDC).
- # Reverse polarity, over temp & over load protection.
- # 3KV optoelectronic isolation.

#### NOTE:

- # 5 Year warranty.
- # Installs between the LED strip and power supply.
- # Power supplies used for input should be a good quality DC switch mode type suitable for PWM loads on the output.
- # Needs the PWM output of an RGBW controller or dimmer.

#### APPLICATIONS:

- # Extending RGBW strip loads when the RGBW controller has insufficient capacity in an exterior application. Can also extend loads for RGB, dual white & single colour dimming.
- # Bars, restaurants, office and home garden lighting etc.