

LDWL-PC1509



3000K

3W

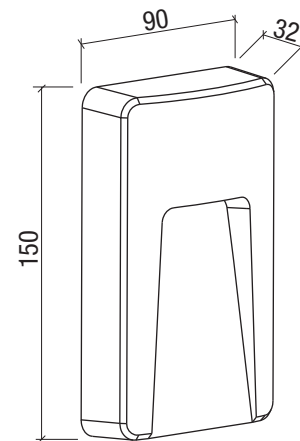
230VAC

IP65

Polycarbonate UV Stable Exterior Wall Light

SPECIFICATION	
CODE	LDWL-PC1509
INPUT	220-240VAC 50~60Hz
OUTPUT	3Watts
COLOUR TEMP	3000K
BODY COLOUR	White, Black, Grey & Charcoal <small>(white shown above)</small>
DIMENSIONS	150 x 90 x 32
CONSTRUCTION	Polycarbonate
IP RATING	IP65

DIMENSIONS



FEATURES:

- # Designed for the harsh NZ environment.
- # UV stabilised polycarbonate.
- # Extremely simple to install.
- # Internal driver.

APPLICATIONS:

- # Wall lights.
- # Step lights.
- # Walkway lights etc