

# LM700W0.72/2

LED Signage Modules 0.72Watts



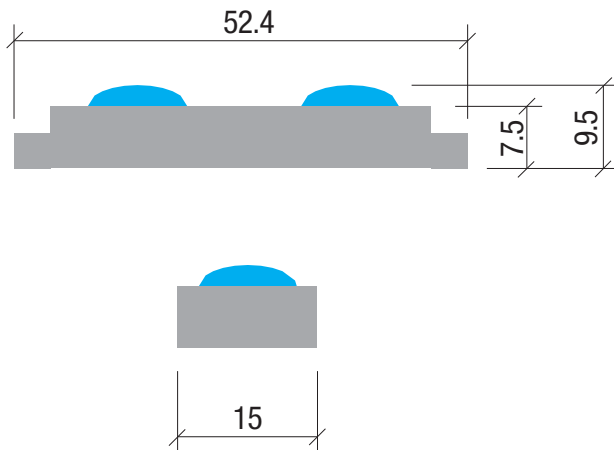
## Features

- Constant current IC built into each module giving protection against voltage fluctuations
- 160deg lens provides even illumination even in shallow light boxes (6cm minimum depth)

## Applications

- Back lighting signage and light boxes
- Airports, restaurants and shopping centres

## Dimensions



## Specification

Code	LM700W0.72/2
Watts	0.72Watts
Volts output	12VDC
Amps input	0.06Amp/module
IP rating	IP65
Colour temp	7000K
Lumens	70lm
LED	2 x 2835 SMD
Beam angle	120°
Warranty	5 Years
Max run	50 Modules
Pitch	158mm between centres
Fixing	Double side tape & screw holes

## Installation

- Recommended distance from mounting to sign face is between 6-20cm
- Peel & stick with double sided tape plus screw fixing holes for long term secure fixing

While every effort has been made to ensure the accuracy of all information provided Task Lighting can not be held responsible for any errors. Task Lighting also reserves the right to modify/delete product details without notice.