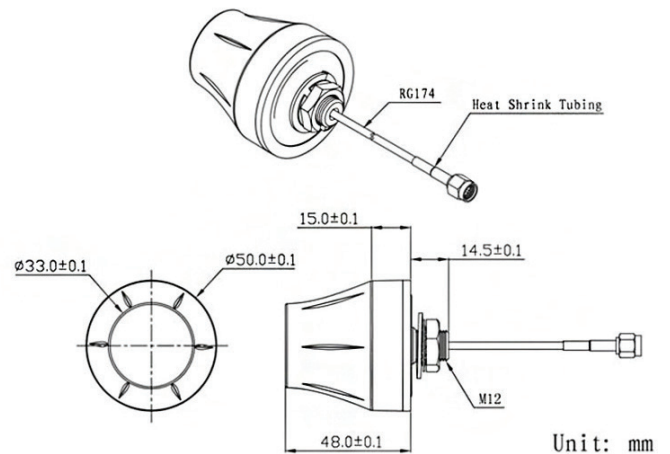


## WiFi Aerials



IP65

SPECIFICATION	
CODE	LCWIFI-ARIEL
FREQUENCY RANGE	2400~2483.5Mhz
BANDWIDTH	83.5Mhz
WORKING TEMP	-40 to +85degC
IP RATING	IP65 weatherproof
IMPEDANCE	50 Ohm
POLARISATION	Linear
GAIN	3dBi
CABLE	RG174 (3m)
MOUNTING	M12 thread x 14.5mm & nut
DIMENSIONS	50dia x 48H
WARRANTY	1 Year



### APPLICATIONS:

# Providing an exterior aerial solution for Wifi control gear housed in a weather proof enclosure significantly reducing signal loss and extending signal range.