

Wall Mounted Touch Panel

Single Colour



Features

- 4 Independently controlled zones
- Compatible with all DMX decoders
- Ability to use wireless control with multiple single colour receivers
- Ultra-sensitive touch colour wheel with high strength glass touch panel
- Touch keys with chord tones and LED indication
- Recommended flush box HPM YF4N

Codes	
Black	LCDMXSD-T11-B
White	LCDMXSD-T11-W

Input and Output	
Input voltage	85-265 VAC
Input current	Max 0.1A
Output signal	DMX512, RF 2.4GHz
DMX output channel #	4

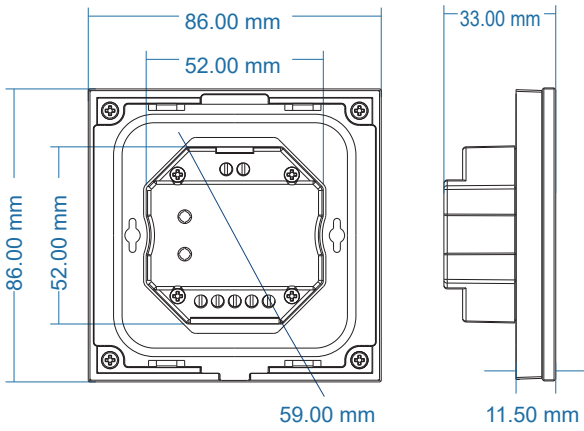
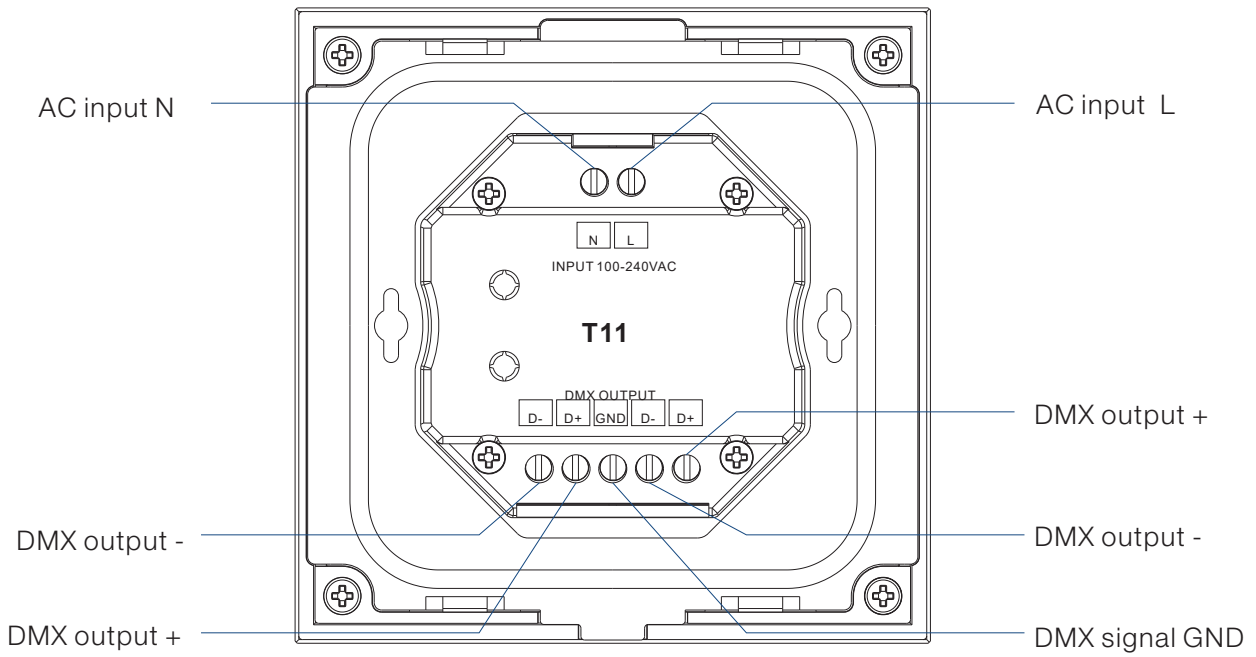
Dimming Data	
Input signal	Touch key + RF 2.4GHz
RF Control distance	30m
Dimming level	256 levels
Dimming range	0-100%

Safety and EMC	
EMC standard (EMC)	EN301 489, EN 62479
Safety standard (LVD)	EN60950
Radio Equipment (RED)	EN300 328
Certification	CE, EMC, LVD, RED

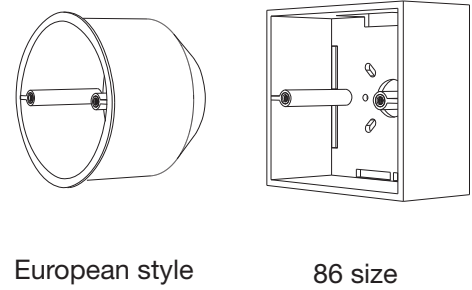
Environment	
Operation temperature	Ta: -30°C ~ +55°C
Max case temperature	Tc: +85°C
IP rating	IP20

Warranty and Protection	
Warranty	5 years

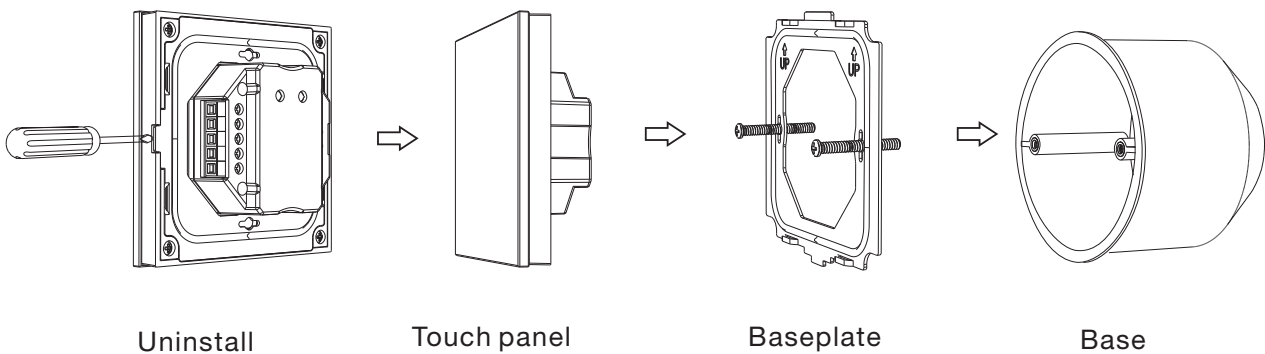
Mechanical Structures and Installations



Typical base as below:

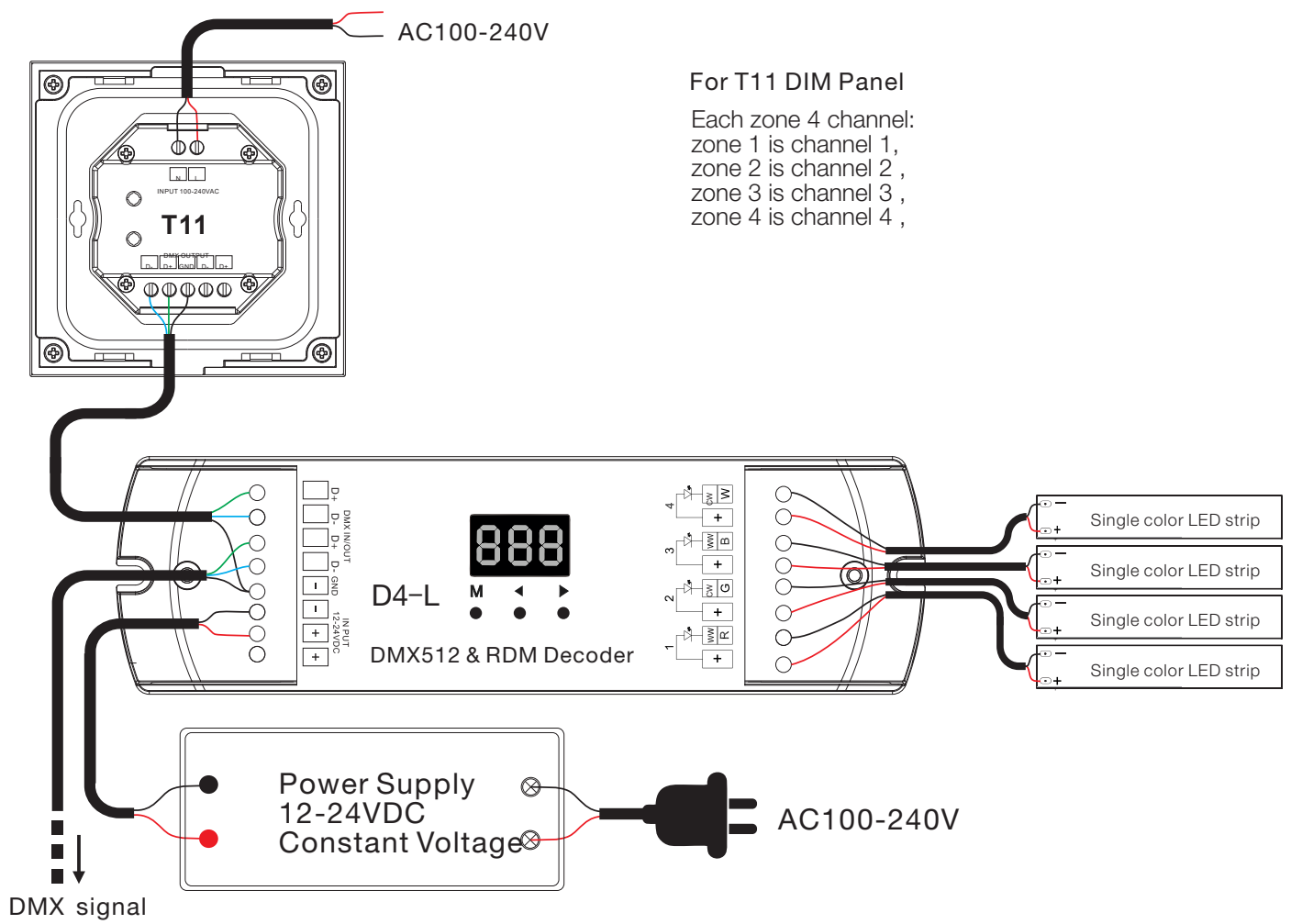


Installation diagram:



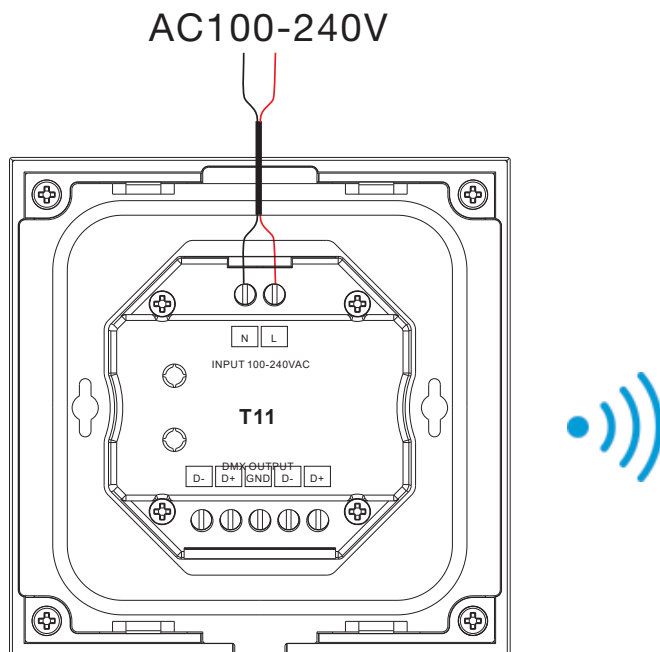
Wiring diagram

For the touch panel to work as DMX512 master



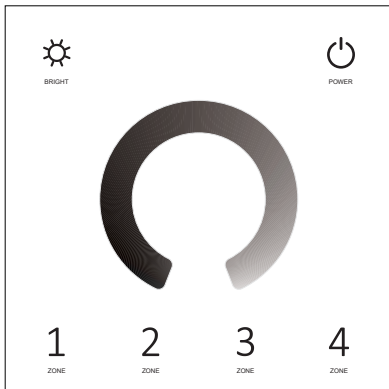
For T11 DIM Panel
Each zone 4 channel:
zone 1 is channel 1,
zone 2 is channel 2,
zone 3 is channel 3,
zone 4 is channel 4,


For the touch panel to work as RF remote



Key Functions

T11 Single color panel



 — Turn on/off all zone light.

 — Brightness, 10 levels.

 — Brightness wheel.

1 2 3 4
ZONE ZONE ZONE ZONE

Short press turn on zone light and select zone simultaneously, long press for 2 seconds to turn off zone light.

4 zone control separately or synchronously, each zone could control multiple receivers.

Matching with RF remote as DMX512 master

The DMX512 master touch panel can also match with a 4 zone remote. Below are two options to process a match or delete existing matches.

Use the controller's Match Key

Match:

Turn the light on and off, immediately press the on/off key on the touch panel for 5 seconds, then press any zone key on the RF remote within 5 seconds. The LED indicator will flash 3 times to confirm the match is successful.

Delete:

Turn the light on and off, immediately press the on/off key on the touch panel for 10 seconds to delete all matches. The LED indicator will flash 6 times to confirm existing matches were deleted.

Use Power Restart

Match:

Switch the power off and on again, immediately short press the on/off key 3 times on the remote. The light will blink 3 times, to confirm the match is successful.

Delete:

Switch the power off and on again, immediately short press on/off key 5 times on the remote. The light blinking 5 times confirms all matched remotes were deleted.

Address Assignment (DMX512 master)

Model	T11
Zone 1 DMX decoder's address	1
Zone 2 DMX decoder's address	2
Zone 3 DMX decoder's address	3
Zone 4 DMX decoder's address	4

Matching to a RF remote

The 4 zone touch panel can match with an RF controller for the corresponding light type. Below are two options to process a match or delete existing matches.

Use the controller's Match Key

Match:

Turn the light on and off, immediately press the on/off key on the touch panel for 5 seconds, then press any zone key on the RF remote within 5 seconds. The LED indicator will flash 3 times to confirm the match is successful.

Delete:

Turn the light on and off, immediately press the on/off key on the touch panel for 10 seconds to delete all matches. The LED indicator will flash 6 times to confirm existing matches were deleted.

Use Power Restart

Match:

Switch the power off and on again, immediately short press the on/off key 3 times on the remote. The light will blink 3 times, to confirm the match is successful.

Delete:

Switch the power off and on again, immediately short press on/off key 5 times on the remote. The light blinking 5 times confirms all matched remotes were deleted.

Malfunctions Analysis & Troubleshooting

Malfunctions	Causes	Troubleshooting
No light	1. No power 2. Wrong or insecure connection	1. Check the power 2. Check the connection
Wrong colour	1. DMX decoder address error 2. Wrong connection of output wires	1. Check the first address 2. Reconnect output wires

While every effort has been made to ensure the accuracy of all information provided Task Lighting can not be held responsible for any errors. Task Lighting also reserves the right to modify/delete product details without notice.