

# Wall Mounted Touch Panel

## RGBW



### Features

- DMX Wired output or PWM RF output
- 4 Independently controllable zones
- DMX signal output, units are compatible with all brands of DMX decoders
- Ability to use wireless control with multiple receivers
- Ultra-sensitive with high strength glass touch panel and touch colour wheel to control colours
- Smooth and accurate colour adjustment using the colour wheel
- Touch keys with chord tones and LED indication
- Recommended flush box HPM YF4N

#### Codes

Black	LCDMXSD-T14-B
White	LCDMXSD-T14-W

#### Input and Output

Input voltage	85-265 VAC
Input current	Max 0.1A
Output signal	DMX512, RF 2.4GHz
DMX output channel #	16

#### Dimming Data

Input signal	Touch key + RF 2.4GHz
RF Control distance	30m
Dimming level	256 levels
Dimming range	0-100%

#### Safety and EMC

EMC standard (EMC)	EN301 489, EN 62479
Safety standard (LVD)	EN60950
Radio Equipment (RED)	EN300 328

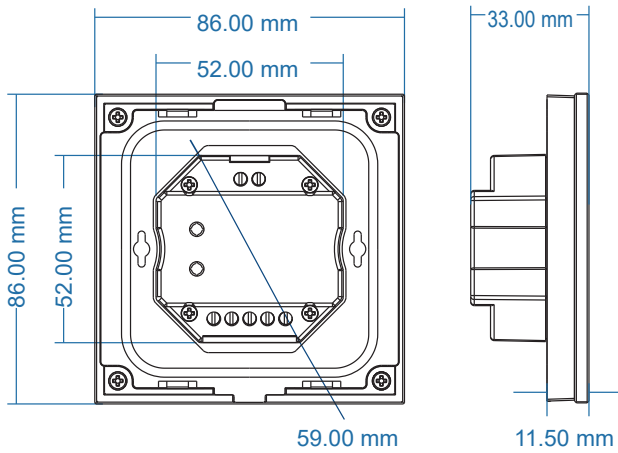
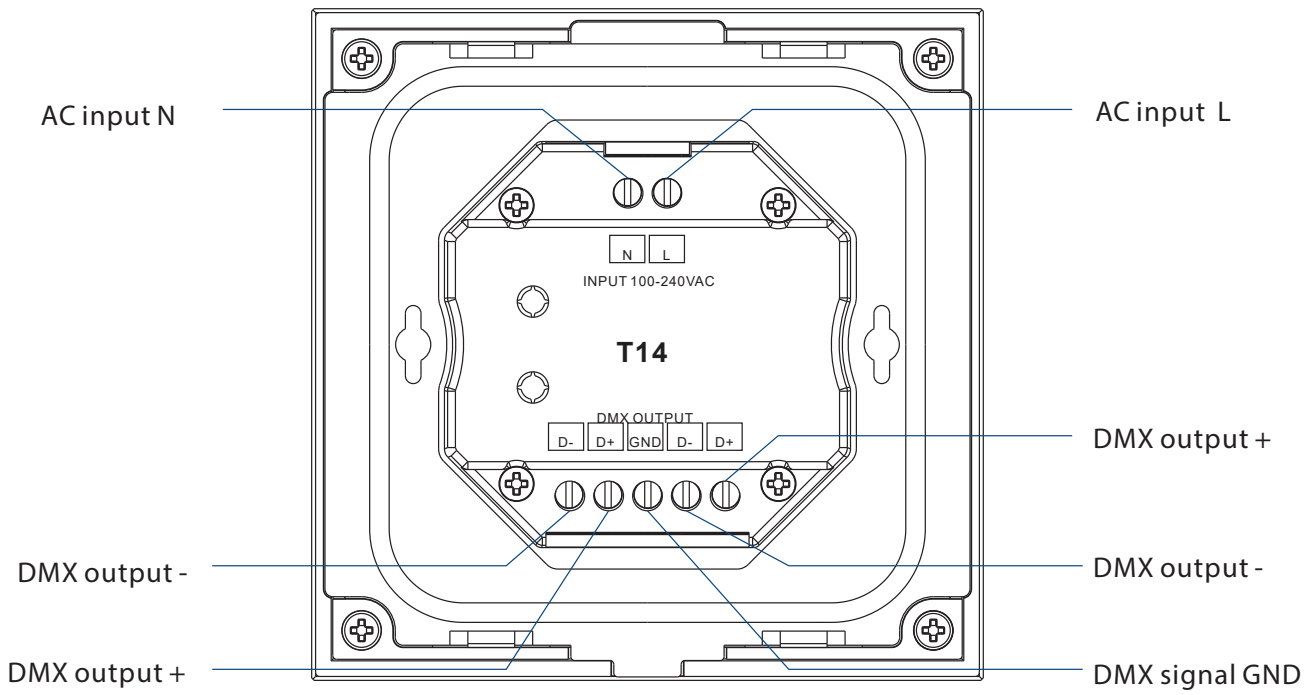
#### Environment

Operation temperature	Ta: -30°C ~ +55°C
Max case temperature	Tc: +85°C
IP rating	IP20

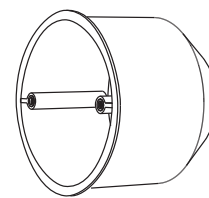
#### Warranty and Protection

Warranty	5 years
----------	---------

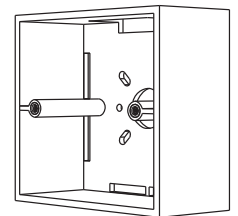
# Mechanical Structures and Installations



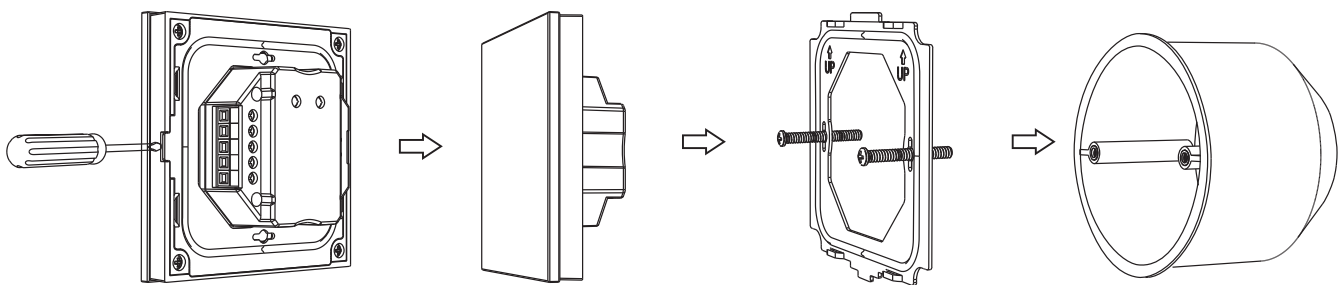
Typical base as below:



European style



86 size



Uninstall

Touch panel

Baseplate

Base



## Matching to RF remote

The 4 zone touch panel can match with an RF controller for the corresponding light type. Below are two options to process a match or delete existing matches.

### Use the controller's Match Key

#### Match:

Turn the light on and off, immediately press the on/off key on the touch panel for 5 seconds, then press any zone key on the RF remote within 5 seconds. The LED indicator will flash 3 times to confirm the match is successful.

#### Delete:

Turn the light on and off, immediately press the on/off key on the touch panel for 10 seconds to delete all matches. The LED indicator will flash 6 times to confirm existing matches were deleted.

### Use Power Restart

#### Match:

Switch the power off and on again, immediately short press the on/off key 3 times on the remote. The light will blink 3 times, to confirm the match is successful.

#### Delete:

Switch the power off and on again, immediately short press on/off key 5 times on the remote. The light blinking 5 times confirms all matched remotes were deleted.

## Matching with RF remote as DMX512 master

The DMX512 master touch panel can also match with a 4 zone remote. Below are two options to process a match or delete existing matches.

### Use the controller's Match Key

#### Match:

Turn the light on and off, immediately press the on/off key on the touch panel for 5 seconds, then press any zone key on the RF remote within 5 seconds. The LED indicator will flash 3 times to confirm the match is successful.

#### Delete:

Turn the light on and off, immediately press the on/off key on the touch panel for 10 seconds to delete all matches. The LED indicator will flash 6 times to confirm existing matches were deleted.

### Use Power Restart

#### Match:

Switch the power off and on again, immediately short press the on/off key 3 times on the remote. The light will blink 3 times, to confirm the match is successful.

#### Delete:

Switch the power off and on again, immediately short press on/off key 5 times on the remote. The light blinking 5 times confirms all matched remotes were deleted.

## Malfunctions Analysis & Troubleshooting

Malfunctions	Causes	Troubleshooting
No light	1. No power 2. Wrong or insecure connection	1. Check the power 2. Check the connection
Wrong colour	1. DMX decoder address error 2. Wrong connection of output wires	1. Check the first address 2. Reconnect output wires

While every effort has been made to ensure the accuracy of all information provided Task Lighting can not be held responsible for any errors. Task Lighting also reserves the right to modify/delete product details without notice.