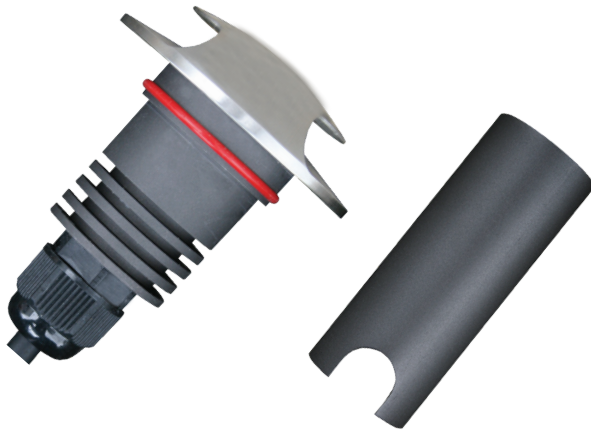


LDDL1006-2-3K-3W

LED Deck Light



Features

- Anti siphon cable
- CREE XP-G2 LEDs
- 316 stainless face
- 6063 structural grade aluminium body
25-30micron anodised
- Safe low voltage input
- High quality luminaire with 3 year warranty

Specification

Code	LDDL1006-2-3K-3W
Wattage	3W
Lumens	95Lm
CRI	83+
CCT	3000K
Dimmable	No
Beam angle	x2 100°
IP rating	IP67
Dimensions	60dia face x 75 deep x 34.5dia body
Cutout	40mm with former
Entry cable	1m of 2 core (0.75mm x2)
IK rating	IK10
Warranty	3 Years

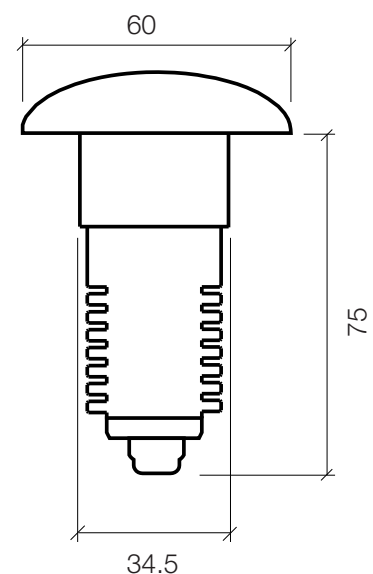
Notes

- Comes complete with former tube for installation
- Constant voltage wired in parallel
- Voltage drop can be significant in long runs and 24VDC drivers are recommended for long runs
- Plan cabling size accordingly
- IP67 is not recommended or warranted for in ground use

Applications

- Exterior deck and wall lighting
- Marker lighting

Dimensions



While every effort has been made to ensure the accuracy of all information provided Task Lighting can not be held responsible for any errors. Task Lighting also reserves the right to modify/delete product details without notice.