

## LDRTW500-20W-40V

Constant Current Driver 500mAmp IP20



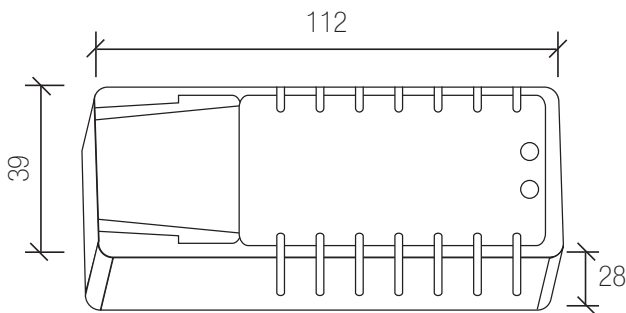
### Features

- Large terminals for looping TPS
- Fast snap down 230V terminal cover
- Load from 1 to 20Watts with wide voltage range

### Applications

- Powering 500mAmp constant current LED lights
- Down lights, step lights and cabinet lights

### Dimensions



### Note

- IP20 for indoor use only or exterior when housed in a suitable enclosure
- 2 Year warranty
- Not phase dimmable

### Specification

Code	LDRTW500-20W-40V
Watts output	1-20Watt
Volts output	2-40Volts DC
Amps output	500mAmp
Volts input	220-240VAC 50~60Hz
Amps input	0.14Amps
Power factor	0.80
IP rating	IP20
Dimensions	L112 x W39 x H28
Protection	Safe no load, Short circuit, Over temp, Class II, SELV.
Working temp	-20 to +50degC
EMC	EMC compliant.
Safety	Tested to AS/NZS requirements.
Dimmable	No

While every effort has been made to ensure the accuracy of all information provided Task Lighting can not be held responsible for any errors. Task Lighting also reserves the right to modify/delete product details without notice.