

# SS-SHE-B-250

PIR Sensor 230VAC



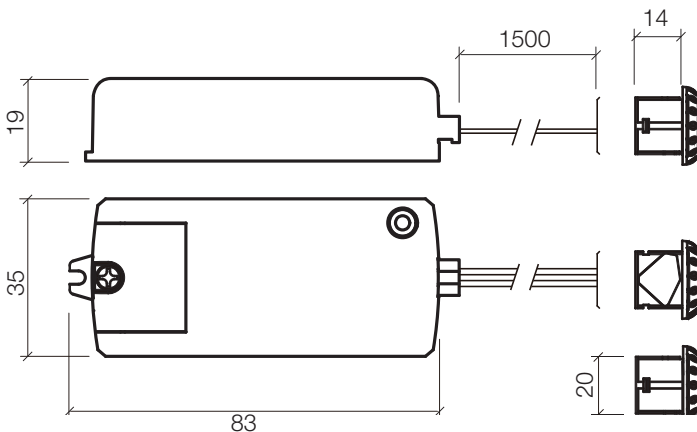
## Features

- 1.5m lead from relay to sensor
- Simple installation
- No ghost loads as the 230V to the driver is switched. This is safer & will help extend the life of the driver

## Applications

- Ideal for controlling LED lighting in pantry's, wardrobes & cupboards

## Dimensions



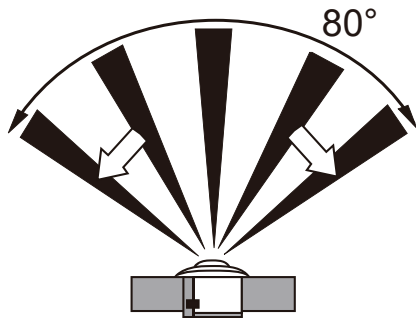
## Specification

Code	SS-SHE-B-250 (white sensor head)
Voltage input	100-240VAC 50~60Hz
Voltage output	100-240VAC 50~60Hz
Load Watts	250Watt
Load Amps	1Amp
IP rating	IP20
Dimensions	L83 x W35 x H19 (mm)
Detection range	2.5m
Detection angle	80°
Detection time	10-180sec (adjustable)
Working temp	-25 to +40°C
EMC	EMC compliant
Warranty	2 Years
Safety	AS/NZS 61347.1:2016 + A1:2018 AS/NZS 61347.2.11:2003

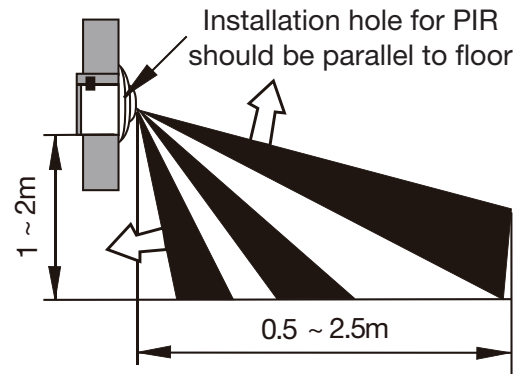
While every effort has been made to ensure the accuracy of all information provided Task Lighting can not be held responsible for any errors. Task Lighting also reserves the right to modify/delete product details without notice.

## Operation & Layout

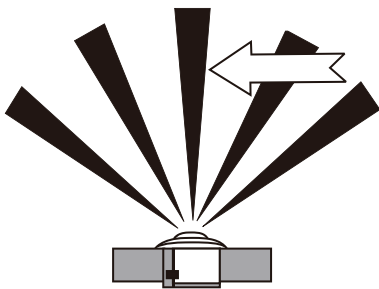
### TOP VIEW



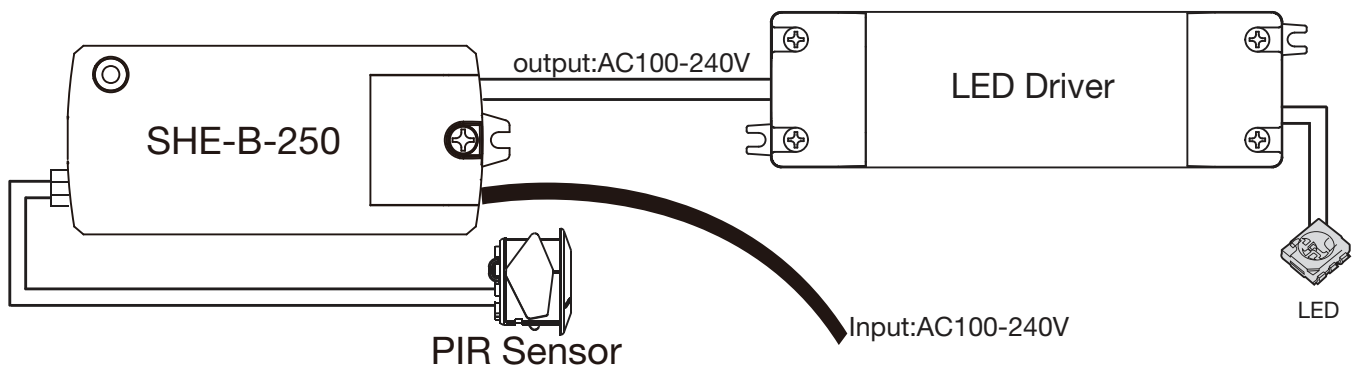
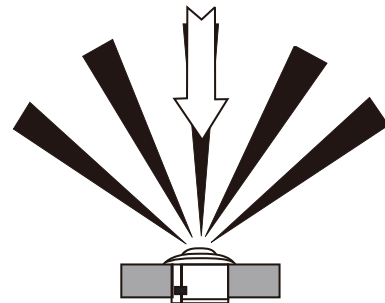
### SIDE VIEW



### GOOD SENSITIVITY



### POOR SENSITIVITY



While every effort has been made to ensure the accuracy of all information provided Task Lighting can not be held responsible for any errors. Task Lighting also reserves the right to modify/delete product details without notice.