

LEDCHAN260 WALL MOUNTED INSTALLATION INSTRUCTIONS

Extrusion installation:

Tools required:

- Pilot drill matched to appropriately sized screws.
- 1) Carefully mark out on the wall surface a faint centre line or laser-line to position the luminaires in the room.
 - 2) Mitred corners need to be very accurate in order to have tight joints and low light leakage. Task recommends cutting the diffusers mounted in an off-cut of channel and temporarily held with tape for workholding. All cuts should be made slowly on a quality compound drop saw. Back fill the joints with adhesive foil tape to eliminate light leakage from the joint.
 - 3) Facia extrusion is push-on fitment, and can have a variety of coatings applied separately.
 - 4) Read separate Electrical Installation Instructions for subsequent electrical assembly.

Notes:

- Cover diffusers are not UV stabilized and will become brittle in outdoor environments.
- Drivers are remote mounted only

fig 1. channel installed using pan head screws

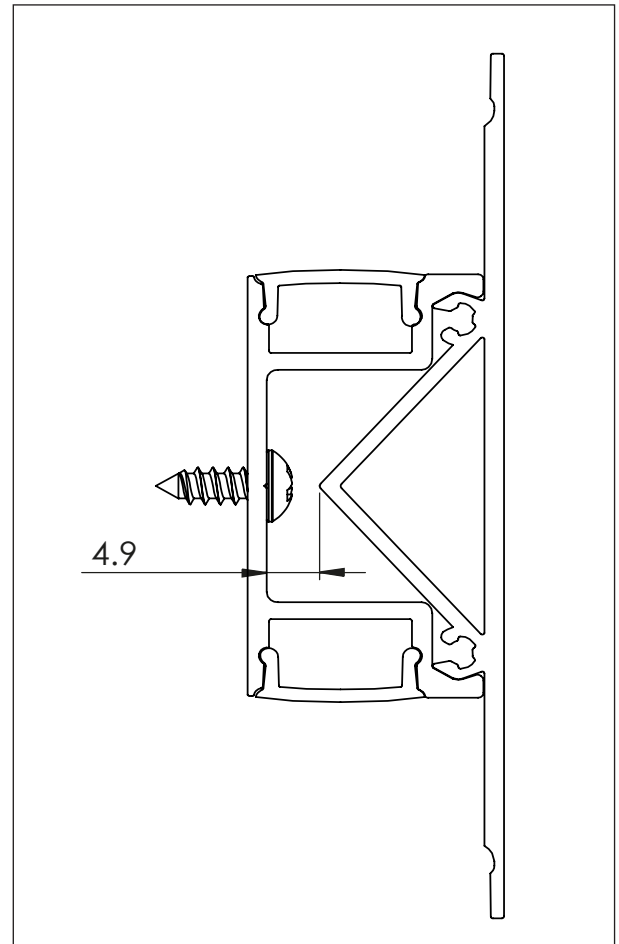


fig 2. Channel end detail showing screw fixing

