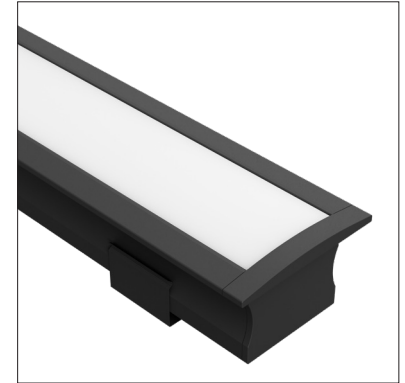
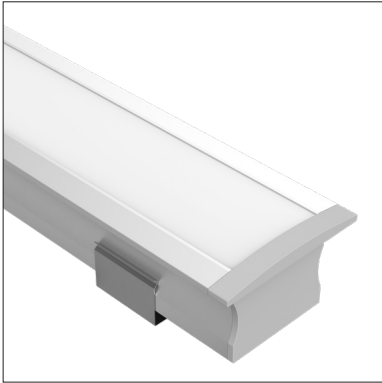


# LEDCHAN140

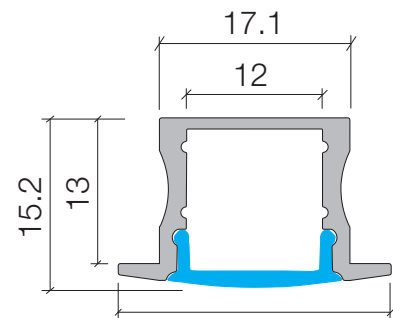
Medium Depth Recess Mount Profile



## Features

- Available in silver, black and white
- Max 4m lengths or cut to size
- Suitable for strips up to 10mm wide and 19.2W/m
- Slim cost effective recess mounted solution
- Dot-free illumination with appropriate strips
- 6063 Structural grade aluminium providing heat sink for LED strips
- PMMA diffuser (type of acrylic) for interior use or exterior installs out of direct sunlight

## Dimensions



## Product Codes

Finish	Diffuser	Code
Silver anodised	Opal	LEDCHAN140OL
	Frosted	LEDCHAN140FL
	Clear	LEDCHAN140CL
	Black	LEDCHAN140BL
Black powder coat	Opal	LEDCHAN140OLBK
	Frosted	LEDCHAN140FLBK
	Clear	LEDCHAN140CLBK
	Black	LEDCHAN140BLBK
White powder coat	Opal	LEDCHAN140OLWH
	Frosted	LEDCHAN140FLWH
	Clear	LEDCHAN140CLWH
	Black	LEDCHAN140BLWH

Accessories		
Finish	Type	Code
Silver	End cap without hole	LEDCHAN140EC1
	End cap with hole	LEDCHAN140EC2
Black	End cap without hole	LEDCHAN140BKEC1
	End cap with hole	LEDCHAN140BKEC2
White	End cap without hole	LEDCHAN140WHEC1
	End cap with hole	LEDCHAN140WHEC2

Note: Accessories are sold individually. This profile is usually fixed direct through the profile base using counter sunk screws. If you require mounting clips the LEDCHANMC1 (silver), LEDCHANMC1BK (black) and LEDCHANMC1WH (white) can be used.

While every effort has been made to ensure the accuracy of all information provided Task Lighting can not be held responsible for any errors. Task Lighting also reserves the right to modify/delete product details without notice.