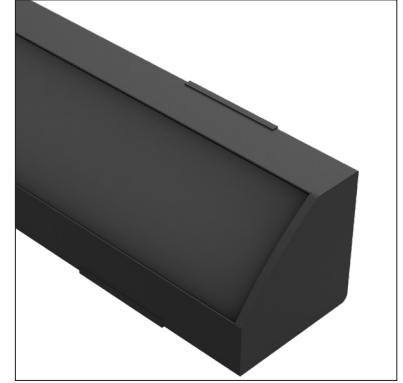
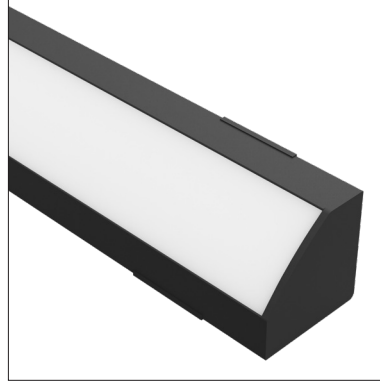
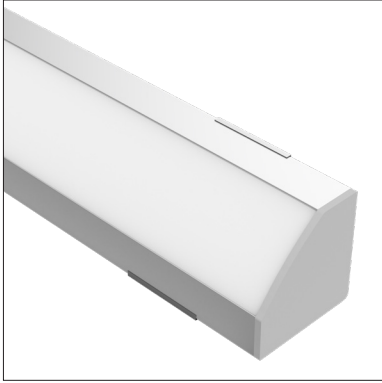


LEDCHAN170

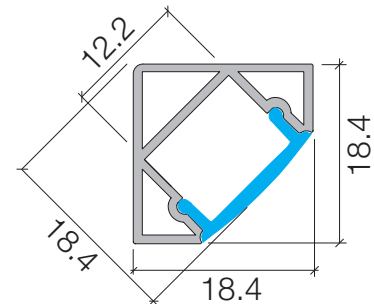
Corner Mount Profile



Features

- Available in silver and black
- Max 4m lengths or cut to size
- Suitable for strips up to 12mm wide and 19.2W/m
- Cost effective corner mounted solution
- Dot-free illumination with appropriate strips
- 6063 Structural grade aluminium providing heat sink for LED strips
- PMMA diffuser (type of acrylic) for interior use or exterior installs out of direct sunlight
- Simple and fast installation by screw fixing with mounting clips or with counter sunk screws through the profile base

Dimensions



Product Codes

Finish	Diffuser	Code
Silver anodised	Opal	LEDCHAN170OL
	Frosted	LEDCHAN170FL
	Clear	LEDCHAN170CL
	Black	LEDCHAN170BL
Black powder coat	Opal	LEDCHAN170OLBK
	Frosted	LEDCHAN170FLBK
	Clear	LEDCHAN170CLBK
	Black	LEDCHAN170BLBK

Accessories		
Finish	Type	Code
Silver	End cap without hole	LEDCHAN170EC1
	End cap with hole	LEDCHAN170EC2
	Mounting clip	LEDCHAN170MC
Black	End cap without hole	LEDCHAN170BKEC1
	End cap with hole	LEDCHAN170BKEC2
	Mounting clip	LEDCHANMC170BK

Note: Accessories are sold individually.

While every effort has been made to ensure the accuracy of all information provided Task Lighting can not be held responsible for any errors. Task Lighting also reserves the right to modify/delete product details without notice.