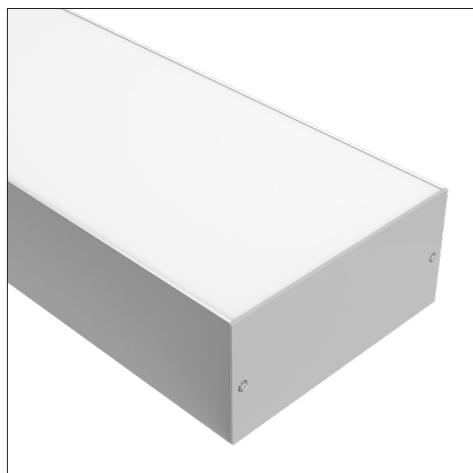


LEDCHAN270

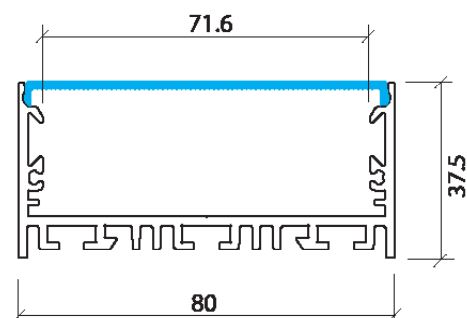
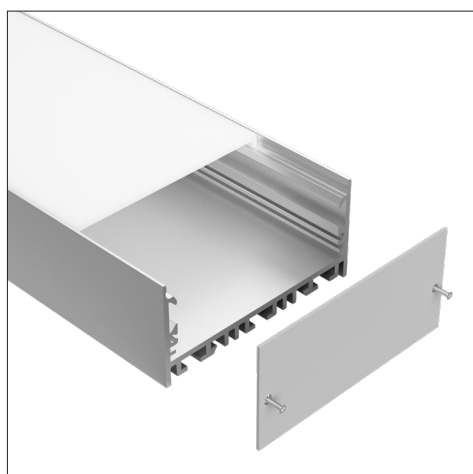
Large Surface Mount Profile



Features

- Max 4m lengths or cut to size
- W80mm x H37.5mm
- Suitable with all TASK strips
- Aluminium body provides heat sinking for LED strips
- Silver anodised
- 6063 Structural grade aluminium
- PMMA lens (type of acrylic) interior use
- Three "V"grooves for simple drill/screw locating and guiding strip alignment

Dimensions



Product Codes

Finish	Code
Silver anodised	LEDCHAN270OL (opal lens)
Accessories	
Silver end cap without hole	LEDCHAN270EC1
Silver end cap with hole	LEDCHAN270EC2
Silver screwless end cap	LEDCHAN270ECSL
Silver mounting clip	LEDCHAN270MC
Grommet for rear cable entry	GROMMETS
Suspension Kits	LEDCHANSKDY1.2M (1.2m drop) LEDCHANSKDY2.5M (2.5m drop)
Joiners	LEDCHANJ120 (120° joiner)
	LEDCHANJ180 (180° joiner)
	LEDCHANJ90 (90° joiner)

Applications

- General lighting with high power LED strips
- Office lighting
- Retail lighting
- Any work area

Notes

- Requires a remote driver
- Opal lens only
- Recommend screw fixing due to the weight of this profile

While every effort has been made to ensure the accuracy of all information provided Task Lighting can not be held responsible for any errors. Task Lighting also reserves the right to modify/delete product details without notice.