

LEDCHAN470

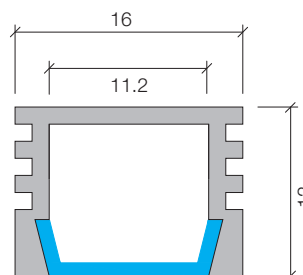
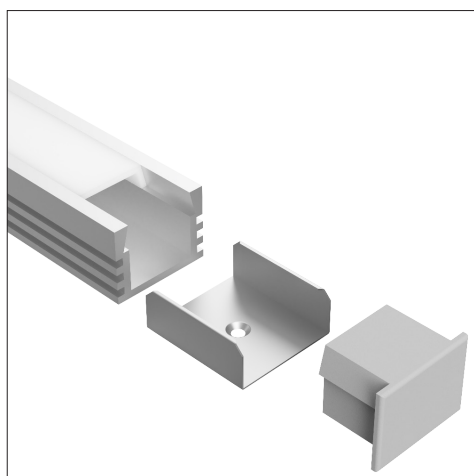
Slim Surface/Recess Mount Profile



Features

- Surface or recess mounted
- Max 4m lengths or cut to size
- W16mm x H12mm
- Suitable for interior strips 10mm wide & up to max 19.2W/m
- Aluminium body provides heat sinking for LED strips
- Dot-free illumination with appropriate strips
- Silver anodised
- 6063 Structural grade aluminium
- PMMA lens (type of acrylic) interior use
- Screw fixing of mounting clips or counter sunk screws through the profile base

Dimensions



Note

- The lens will only slide in and does not snap in

Applications

- Retail display lighting
- Kitchen cabinets
- Bathroom cabinets
- Wardrobes

Product Codes

Finish	Code
Silver anodised	LEDCHAN470OL (opal lens)
Accessories	
Silver end cap without hole	LEDCHAN470EC1
Silver end cap with hole	LEDCHAN470EC2
Silver mounting clip	LEDCHANMC7

While every effort has been made to ensure the accuracy of all information provided Task Lighting can not be held responsible for any errors. Task Lighting also reserves the right to modify/delete product details without notice.