

Wall Mounted Controller

RGBW



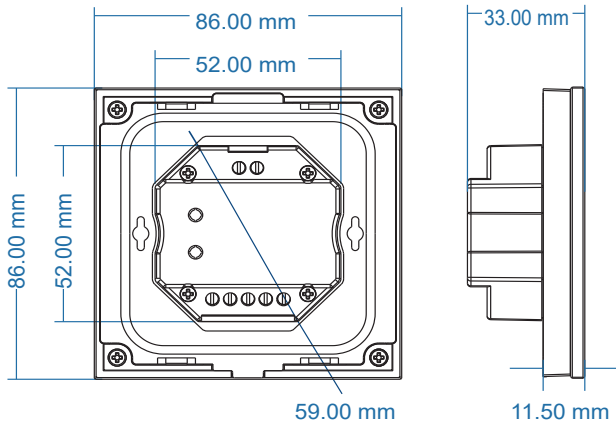
Features

- Touch panel controller for RGBW colour changing constant voltage
- Ultra-sensitive high strength glass touch panel with colour touch wheel in the middle
- Compatible with our wireless 2.4G remote range
- Touch keys with chord tones and LED indicator

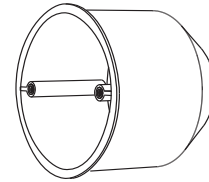
| Codes | |
|------------------|----------------------|
| Black | LCRGBWSD-T4-B |
| White | LCRGBWSD-T4-W |
| Input and Output | |
| Input voltage | 12-24VDC |
| Input current | 12.5A |
| Output voltage | 4 x (12-24) VDC |
| Output current | 4CH,3A/CH |
| Output power | 144-288W |
| Output type | Constant voltage |
| Light type | RGBW colour changing |

| Safety and EMC | |
|-------------------------|--------------------|
| EMC standard (EMC) | EN301 489,EN 62479 |
| Safety standard (LVD) | EN60950 |
| Radio Equipment (RED) | EN300 328 |
| Certification | CE, EMC, LVD, RED |
| Environment | |
| Operation temperature | Ta:-30°C~ +55°C |
| Max case temperature | Tc:+85°C |
| IP rating | IP20 |
| Warranty and Protection | |
| Warranty | 5 years |
| Protection | Reverse polarity |

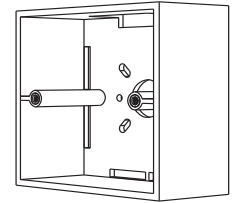
Mechanical Structures & Installation



Typical base as below:

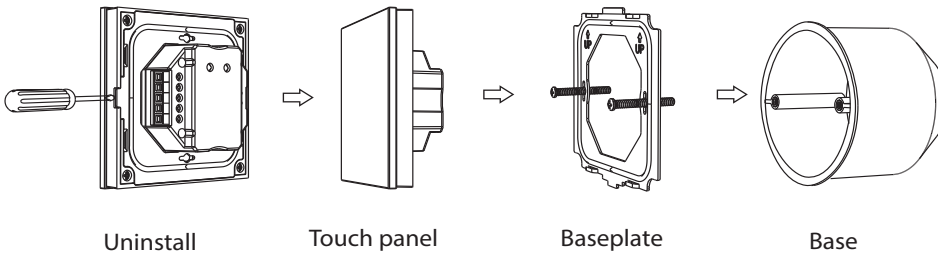


European style

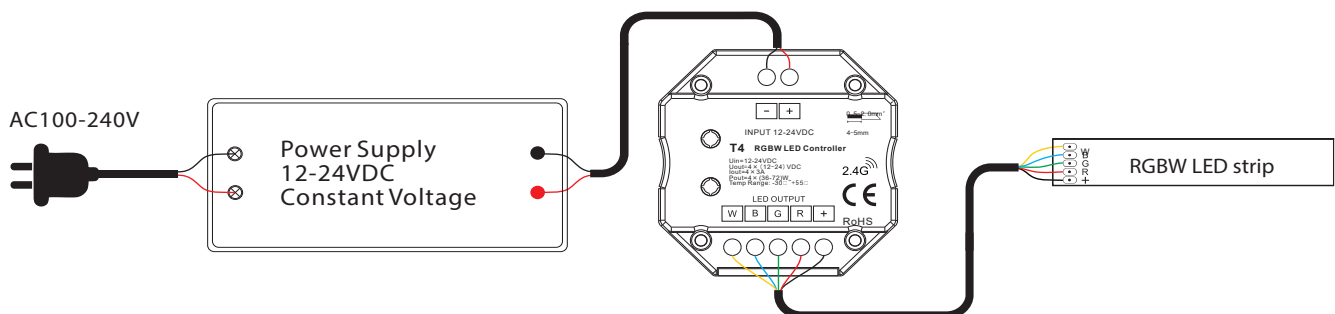


86 size

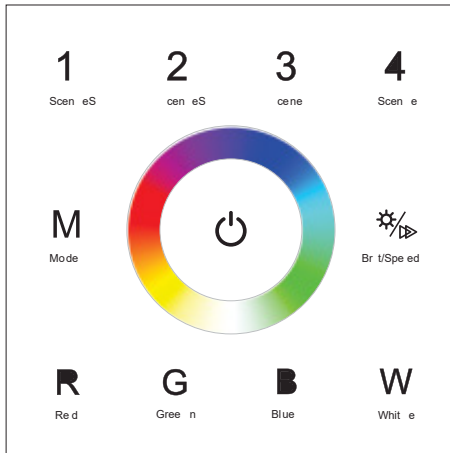
Installation diagram:



Wiring diagram



Key Functions



- Turn on/off light
- Colour wheel
- Adjust dynamic mode speed or static colour brightness, 10 levels
- M** — Short press play 10 built-in dynamic mode
Long press for 2 seconds to run mode-cycle
- 1 2 3 4** — 4 Scenes, short press to recall scene
Long press for 2 seconds to save the current color into 1/2/3/4
- R G B W** — Short press get red, green, blue, white color
Long press adjust each color brightness

Matching to an RF remote

The touch panel controller can also match with the RF remote (optional). End user can choose the suitable match/delete ways. Two options are offered for selection:

Use On/Off key

Match:

Turn on light, turn off, immediately press the On/Off key of the panel for 5s, then press on/off key (single zone remote) or zone key (multiple zone remote) of the RF remote within 5s. The LED indicator fast flash 3 times means match is successful.

Delete:

Turn on light, turn off, immediately press the On/Off key of the panel for 10s, delete all matched RF remote. The LED indicator fast flash 6 times means all matched remotes were deleted.

Use Power Restart

Match:

Switch off the power, then switch on power, repeat again, immediately short press on/off key (single zone remote) or zone key (multiple zone remote) 3 times on the remote. The light blinks 3 times means match is successful.

Delete:

Switch off the power, then switch on power, repeat again, immediately short press on/off key (single zone remote) or zone key (multiple zone remote) 5 times on the remote. The light blinks 5 times means all matched remotes were deleted.