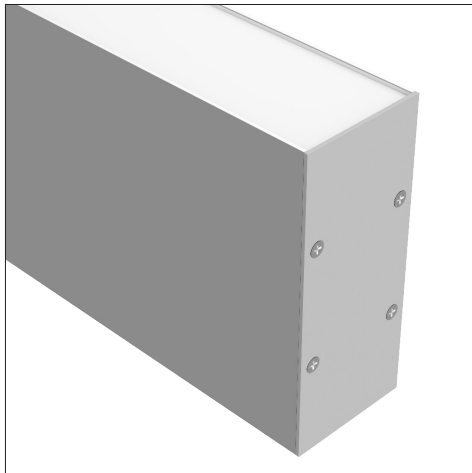


LEDCHAN610

Large Wall Mount Up/Down Washer/Suspended

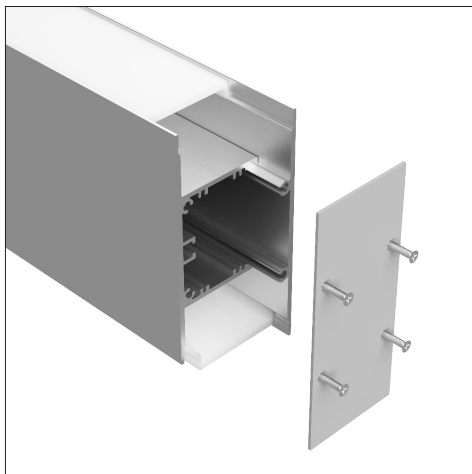


Features

- Accommodates two rows of high power strips (up/down)
- Max 4m lengths or cut to size
- W35mm x H83mm off the wall
- Suitable for all Task strips up to 30W/m
- Aluminium body provides heat sinking for LED strips
- Dot-free illumination with all Task strips
- Silver anodised
- 6063 Structural grade aluminium
- PMMA lens (type of acrylic) interior use

Applications

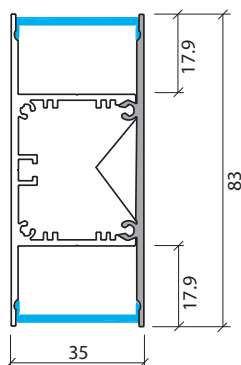
- Direct to wall mount or wall mount brackets
- Slim direct/indirect pendant
- All wall wash applications direct/indirect
- General lighting with high power strips



Note

- Counter sunk screw fixing through the profile base to wall mount or use standoff wall mount brackets
- Requires a remote driver
- Dimming options available

Dimensions



Product Codes

Finish	Code
Silver anodised	LEDCHAN610OL (opal lens)
Accessories	
Silver end cap with no hole	LEDCHAN610EC1
Stand off wall bracket	LEDCHANWB
Grommet for rear cable entry	GROMMETS

While every effort has been made to ensure the accuracy of all information provided Task Lighting can not be held responsible for any errors. Task Lighting also reserves the right to modify/delete product details without notice.