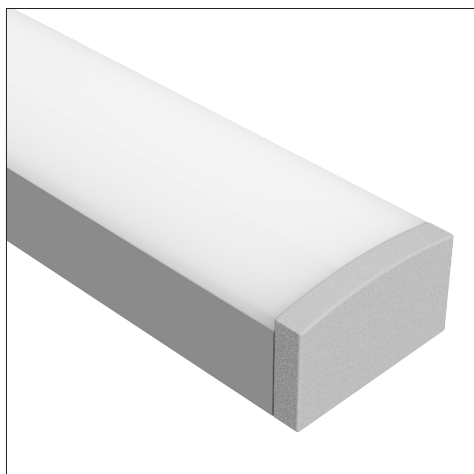


LEDCHAN650

Micro Channel

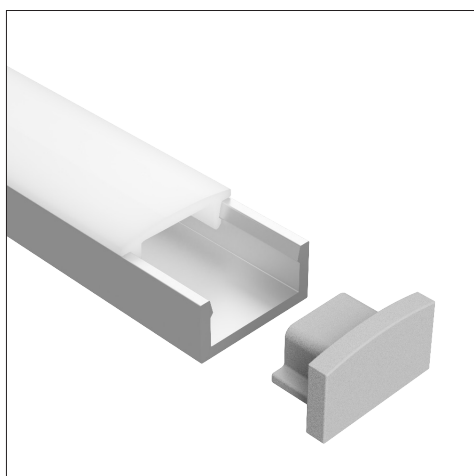


Features

- Dot-free line of light
- Extremely low profile
- Max 2.5m lengths or cut to size
- W7.9mm x H5.7mm
- Suitable with 6.3W/m MICRO strip only
- Aluminium body provides heat sinking for LED strips
- Silver anodised
- 6063 Structural grade aluminium
- PMMA lens (type of acrylic) interior use

Note

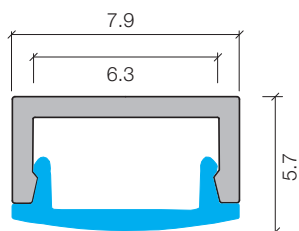
- Small counter sunk screwing fixing or mounting clips
- Due to the delicate nature of the LS143 LED strip that fits this profile we will only dispatch LS143 & LEDCHAN650 completely assembled



Applications

- Under shelf display lighting
- Kitchen toe kicks
- Under bench top returns
- Book shelving
- Accent lighting

Dimensions



Product Codes

Finish	Code
Silver anodised	LEDCHAN650OL (opal lens)
Accessories	
Silver end cap without hole	LEDCHAN650EC1
Silver end cap with hole	LEDCHAN650EC2
Mounting clip	LEDCHANMC9

While every effort has been made to ensure the accuracy of all information provided Task Lighting can not be held responsible for any errors. Task Lighting also reserves the right to modify/delete product details without notice.