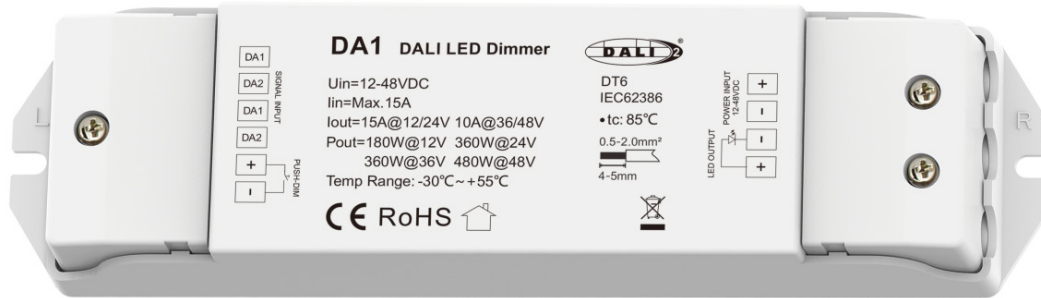


# LCDMSD-DA1

## Single Channel Constant Voltage DALI Controller



### Features

- Single channel Constant voltage DALI LED Dimmer
- DALI address will be automatically assigned by DALI master, 1 DALI address
- PWM digital dimming, standard DALI logarithmic dimming curve
- Connect with external push switch to achieve on/off and dimming function
- Over-heat / Over-load / Short circuit protection, recover automatically

### Technical Parameters

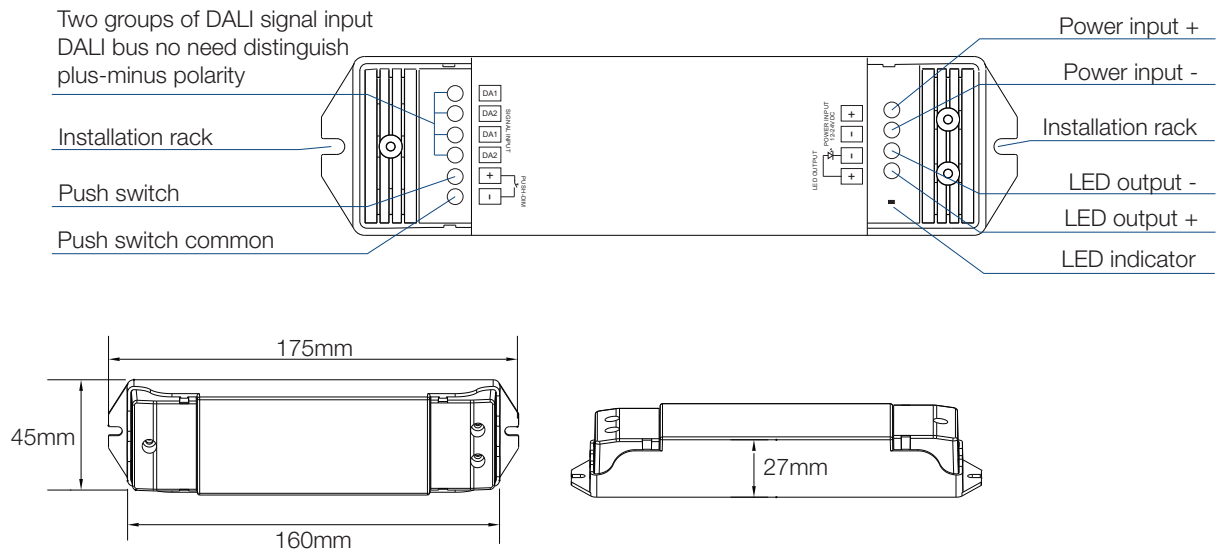
Input and Output	
Input voltage	12-48VDC
Input current	Max 15A
Output voltage	12-48VDC
Output current	15A @ 24VDC 10A @ 48VDC
Output power	180W @12V 360W @ 24V 480W @ 48V
Output type	Constant voltage

Environment	
Operation temperature	Ta: -30°C~+55°C
Case temperature (max)	Tc: +85°C
IP rating	IP20

Dimming Data	
Input signal	DALI + Push dim
Dimming range	0-100%
Dimming curve	Logarithmic
PWM frequency	500Hz

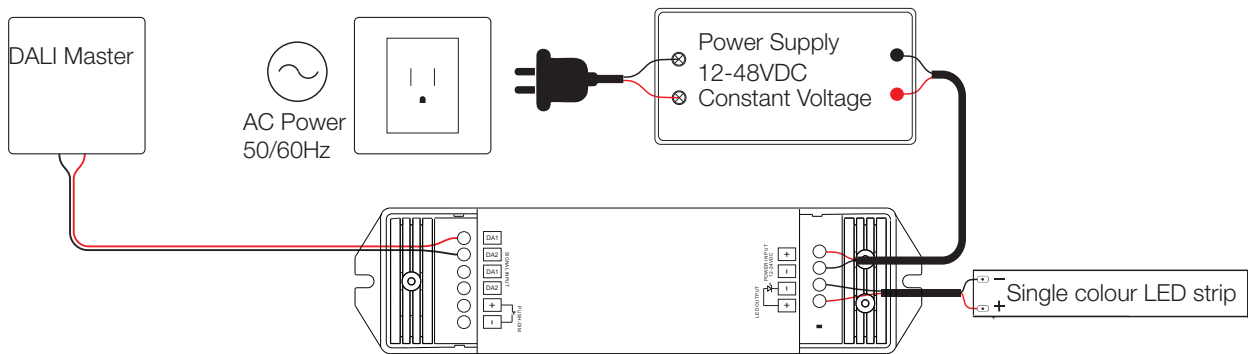
Warranty and Protection	
Warranty	5 Years
Protection	Reverse polarity Over-heat Over-load Short circuit

# Mechanical Structures and Installations

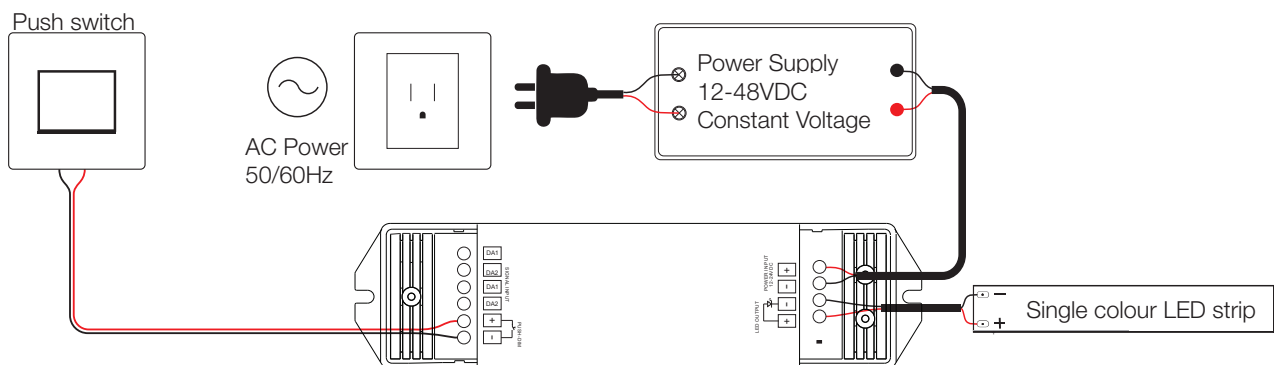


# Wiring Diagram

## DA1 connection to DALI Master



## DA1 connection with push switch



## DALI Control

- DALI Address Assigned by DALI Master

This product is designed with 1 DALI address input and 1 channel output, DALI address is assigned by DALI Master controller automatically, please refer to user manuals of compatible DALI Masters for specific operations.

- DALI priority

The DALI master or Push switch can be connected at the same time, which makes the product more user-friendly and more options to fit for some extra-ordinary demands.

If the controller be used with the Push-Dim interface prior to using the DALI interface, the DALI command will make it return to DALI control automatically.

## Push Dim Function

The provided Push-Dim interface allows for a simple dimming method using commercially available non-latching (momentary) wall switches.

- Short press:

Turn on or off light.

- Long press (1-6 seconds):

Press and hold to step-less dimming,

With every other long press, the light level goes to the opposite direction.

- Dimming memory:

Light returns to the previous dimming level when switched off and on again, even after power failure.

- Synchronization:

If more than one controller is connected to the same push switch, do a long press for more than 10 seconds, then the system is synchronised and all lights in the group dim up to 100%.

This means there is no need for any additional synchrony wire with larger installations.

We recommend the number of controllers connected to a push switch does not exceed 25 units,

The maximum length of the wires from push to controller should be no more than 20 meters.

## Safety & Warnings

- DO NOT install with power applied to device
- DO NOT expose the device to moisture

While every effort has been made to ensure the accuracy of all information provided Task Lighting can not be held responsible for any errors. Task Lighting also reserves the right to modify/delete product details without notice.