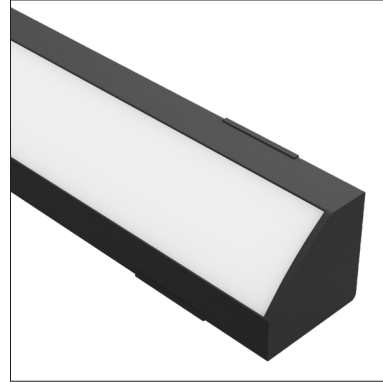
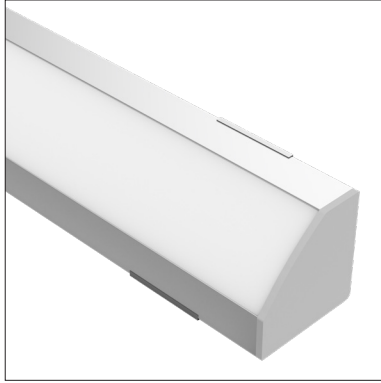


# DSCHAN170-2M

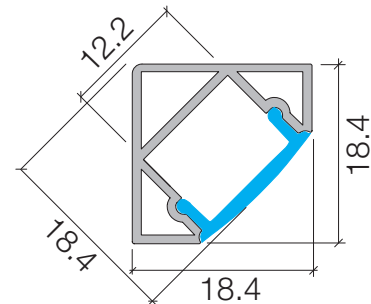
Corner Mount Profile



## Features

- Available in silver, black and white
- Sold as a pre-packed 2m length ideal for branch display stands
- Suitable for strips up to 12mm wide and 19.2W/m
- Cost effective corner mounted solution
- Dot-free illumination with appropriate strips
- 6063 Structural grade aluminium providing heat sink for LED strips
- PMMA diffuser (type of acrylic) for interior use or exterior installs out of direct sunlight
- Simple and fast installation by screw fixing with mounting clips or with counter sunk screws through the profile base

## Dimensions



## Product Codes

Finish	Code	Accessories	
Silver anodised	DSCHAN170OL (opal lens)	Silver Accessory Pack	DSCHAN170
	DSCHAN170FL (frosted lens)		
Black powder coated	DSCHAN170OLBK (opal lens)	Black Accessory Pack	DSCHAN170BK
	DSCHAN170BLBK (black lens)		
White powder coated	DSCHAN170OLWH (opal lens)	White Accessory Pack	DSCHAN170WH
		Note: Each pack contains x1 end cap with hole, x1 without hole and x3 mounting clips with screws.	

While every effort has been made to ensure the accuracy of all information provided Task Lighting can not be held responsible for any errors. Task Lighting also reserves the right to modify/delete product details without notice.