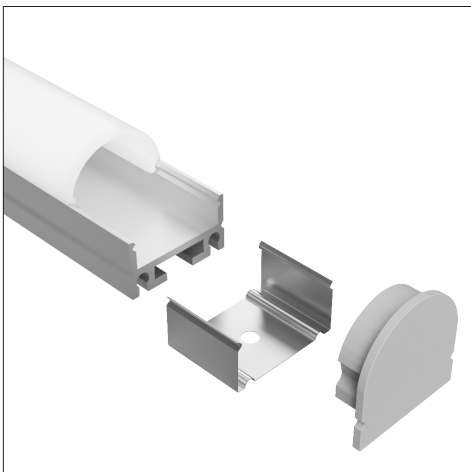
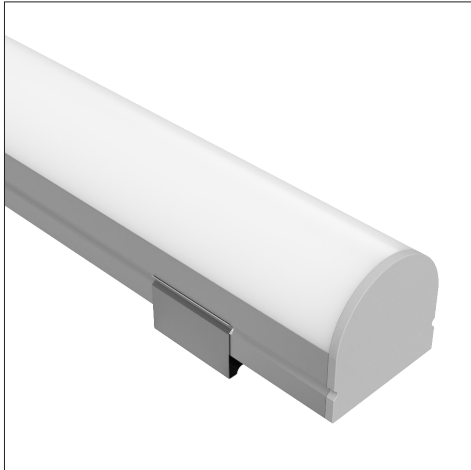


DSCHAN210-2M

Medium Depth Surface Mount Profile



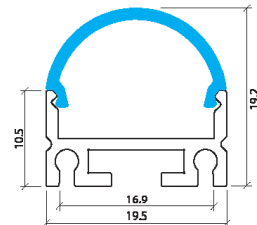
Features

- Screw fixing of mounting clips or counter sunk screws through the profile base
- Sold as a pre packed 2m length ideal for branch display stands
- W19.5mm x H19.2mm
- Suitable for interior & exterior strips 14mm wide & up to max 19.2W/m
- Aluminium body provides heat sinking for LED strips
- Dot-free illumination with appropriate strips
- Silver anodised
- 6063 Structural grade aluminium
- PMMA lens (type of acrylic) interior use
- Accessories available to install as a suspended pendant

Applications

- Surface mounted
- Suspended
- Retail display lighting
- Kitchen cabinets
- Toe kicks
- Bathroom cabinets
- Wardrobes

Dimensions



Product Codes

Finish	Code
Silver anodised	DSCHAN210OL (opal lens)
Accessories	
Silver Mounting Pack Includes end cap with and without hole	DSCHAN210

While every effort has been made to ensure the accuracy of all information provided Task Lighting can not be held responsible for any errors. Task Lighting also reserves the right to modify/delete product details without notice.