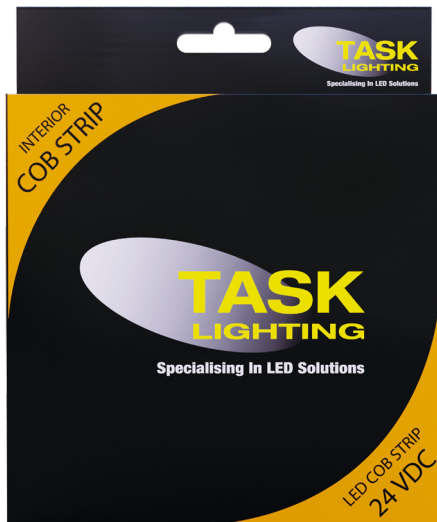


IP20 COB STRIP PACK

12W/m 24VDC IP20



Features

- CRI 90+
- Constant Voltage 24VDC
- High density 560LEDs/m
- Complete with pre soldered 0.5mm² tails 1m long
- Supplied with 3M double sided tape for easy install. LED strip must be installed using a TASK Lighting approved mounting profile for warranty purposes
- Dot free illumination suitable for all profile types
- Dimmable by PWM (Pulse width modulation)

Specification

Watts/m	12W/m
Lumen output	3000K - 908Lm/m 4000K - 1014Lm/m
Beam angle	140°
Cut points	25mm
Max single feed run	5m
LEDS/m	560 LEDs/m
Working temp	-25 ~ 70°C
Warranty	3 Years
IP rating	IP20
Dimmable	Yes (PWM)

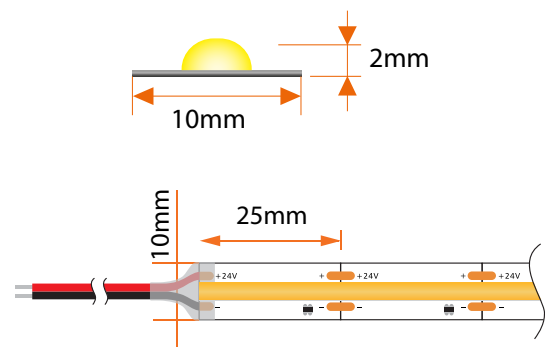
Codes

CCT	2M	4M
WW (3000K)	DSCS12WW24V2M	DSCS12WW24V4M
NW (4000K)	DSCS12NW24V2M	DSCS12NW24V4M

Applications

- Under shelf display lighting
- Under cabinets over benches
- Cove lighting

Dimensions



While every effort has been made to ensure the accuracy of all information provided Task Lighting can not be held responsible for any errors. Task Lighting also reserves the right to modify/delete product details without notice.