

1 Channel Constant Voltage Power Repeater LCDRSD-EV1-S

1 Channel/PWM signal input/Constant voltage output/3KV optoelectronic isolation



Features

- 12-24V constant voltage power repeater
- One channel, 15A
- To receive PWM signal control
- Power repeater in series or in parallel to expand output unlimitedly
- Apply to single colour constant voltage LED strip or module

Technical Parameters

Input and Output	
Input voltage	12-24VDC
Input current	15.5A
Input signal	PWM
Output voltage	12-24VDC
Output current	15A
Output power	180-360W
Output type	Constant voltage

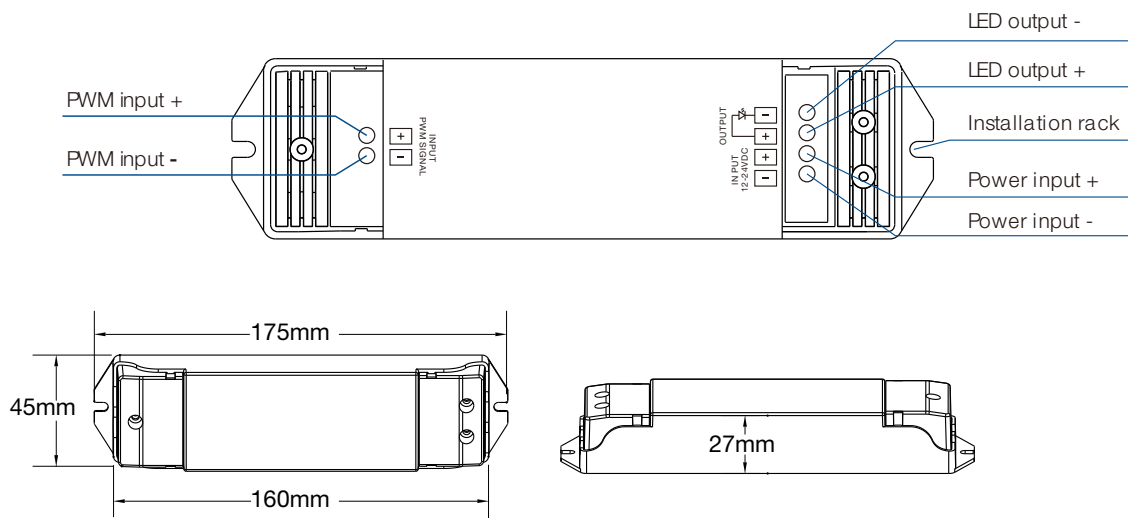
Environment	
Operation temperature	Ta: -30 °C ~ +55 °C
Case temperature(Max.)	Tc: +85 °C
IPrating	IP20

Safety and EMC	
EMC standard (EMC)	EN301 489,EN 62479
Safety standard(LVD)	EN60950
Certification	CE,EMC,LVD

Warranty and Protection	
Warranty	5 years
Protection	Reverse Polarity

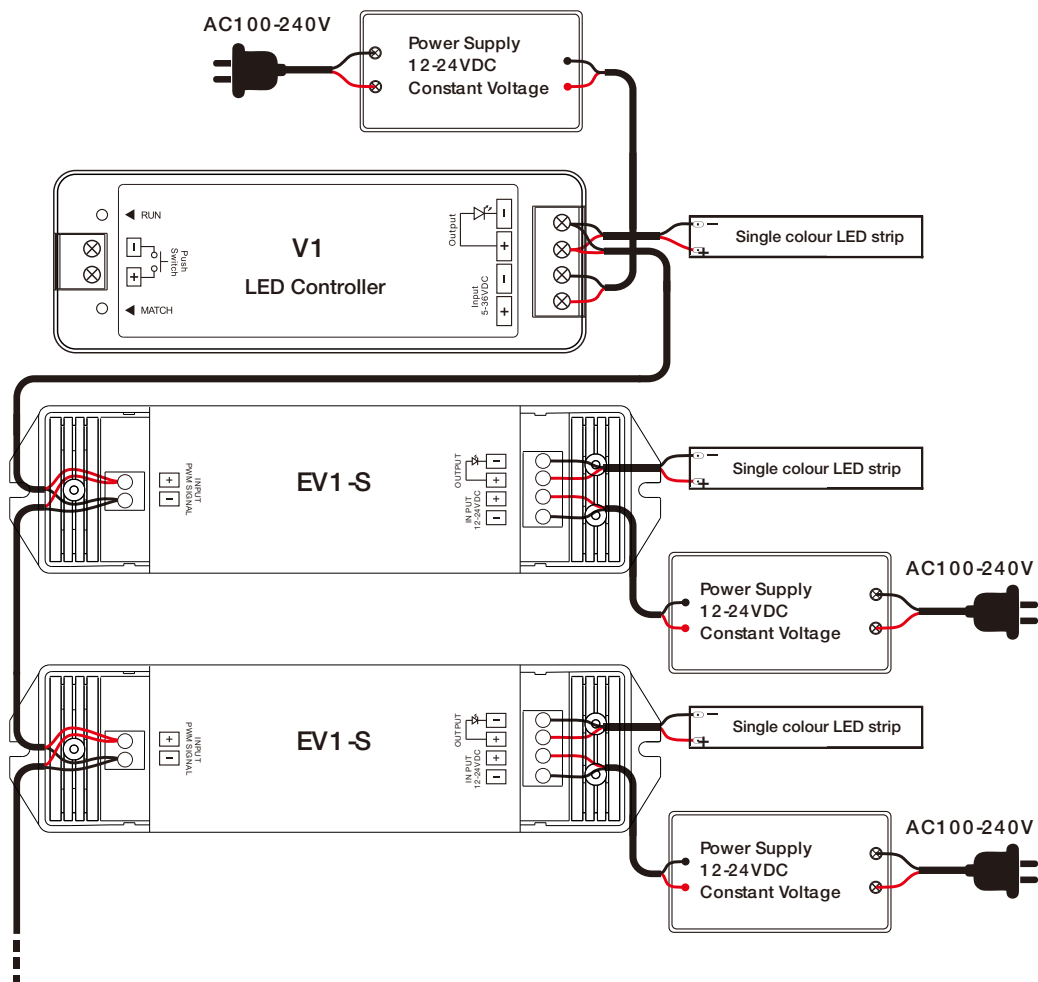
Weight	
Net weight	0.100kg
Gross weight	0.119kg

Mechanical Structures and Installations

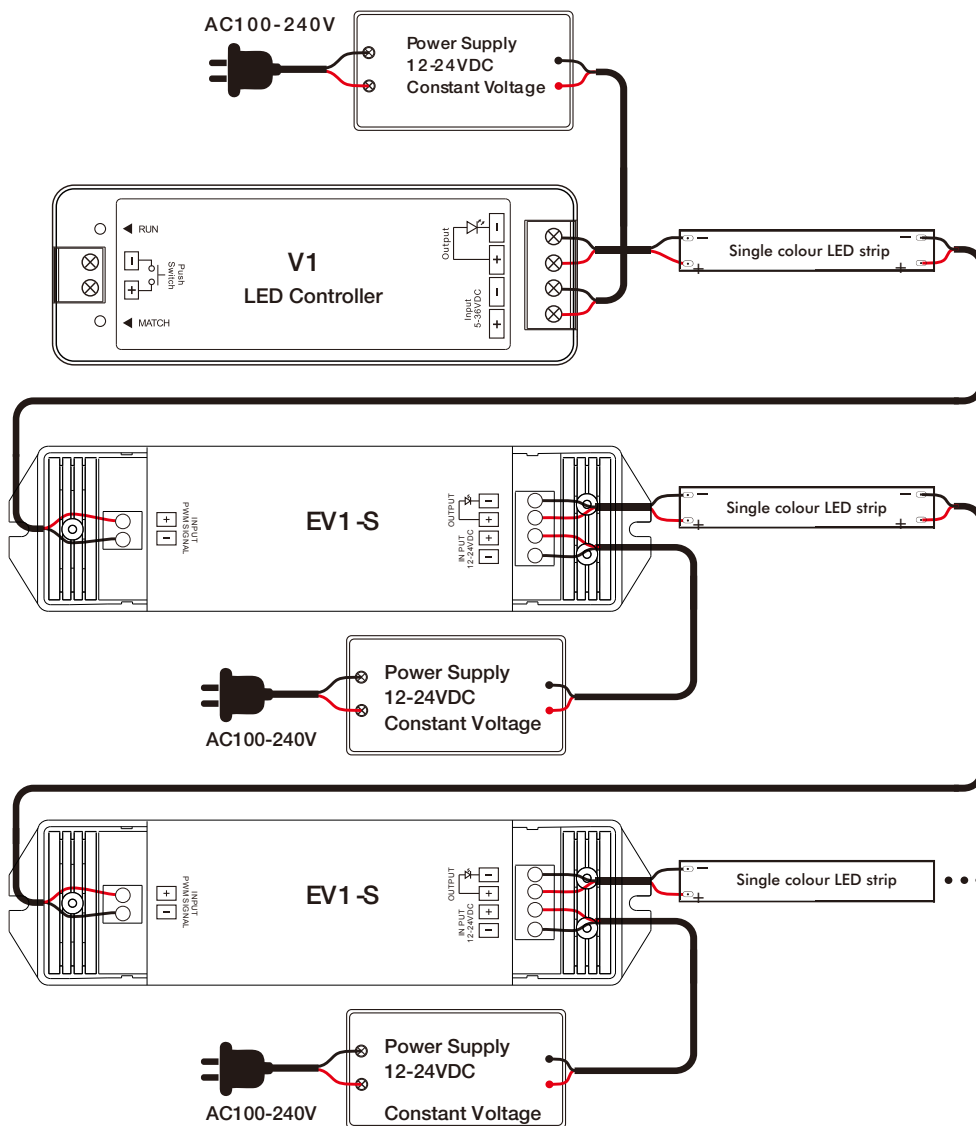


Wiring Diagram

Parallel Connection



Series Connection



Malfunctions Analysis & Troubleshooting

Malfunctions	Causes	Troubleshooting
No light	<ol style="list-style-type: none"> 1. No power 2. Wrong connection or insecure 	<ol style="list-style-type: none"> 1. Check the power 2. Check the connection
Uneven intensity between front and rear, with voltage drop	<ol style="list-style-type: none"> 1. Output cable is too long 2. Wire diameter is too small 3. Overload beyond power supply capability 4. Overload beyond controller capability 	<ol style="list-style-type: none"> 1. Reduce cable or loop supply 2. Change wider wire 3. Replace higher power supply 4. Add power repeater

Safety & Warnings

1. The product shall be installed and serviced by a qualified person.
2. This product is non-waterproof. Please avoid the sun and rain.
3. Good heat dissipation will prolong the working life of the controller, Please ensure good ventilation.
4. Please check if the output voltage of any power supplies used comply with the working voltage of the product.
5. Ensure all wire connections and polarities are correct and secure before applying power to avoid any damages to the LED lights.
6. If a fault occurs please return the product to your supplier. Do not attempt to fix this product by yourself.

While every effort has been made to ensure the accuracy of all information provided Task Lighting can not be held responsible for any errors. Task Lighting also reserves the right to modify/delete product details without notice.