

# LCR RGBWSD-VP

RGBW Controller



## Features

- DC power socket input and 4 channel constant voltage output
- Compatible with RF 2.4G single zone or multiple zone single color, dual color and RGB/RGBW remote controls
- One RF can accept up to 10 remote control
- 4096 levels 0-100% dimming smoothly without flashing
- Built in with 10 dynamic modes, including jump or gradual colour change style
- Auto-transmitting function: Controller automatically transmits signal to another controller within 30m control distance (unobstructed)
- Ability to sync with multiple controllers

### Input and Output

Input voltage	12-24VDC
Input current	15.5A
Output voltage	4 x (12-24) VDC
Output current	4CH,(4A/CH) Max 6A
Output power	4 x (48-96) W
Output type	Constant voltage

### Environment

Operation temperature	Ta:-30°C~ +55°C
Max case temperature	Tc:+85°C
IP rating	IP20

### Warranty and Protection

Warranty	5 years
Protection	Reverse polarity Short circuit

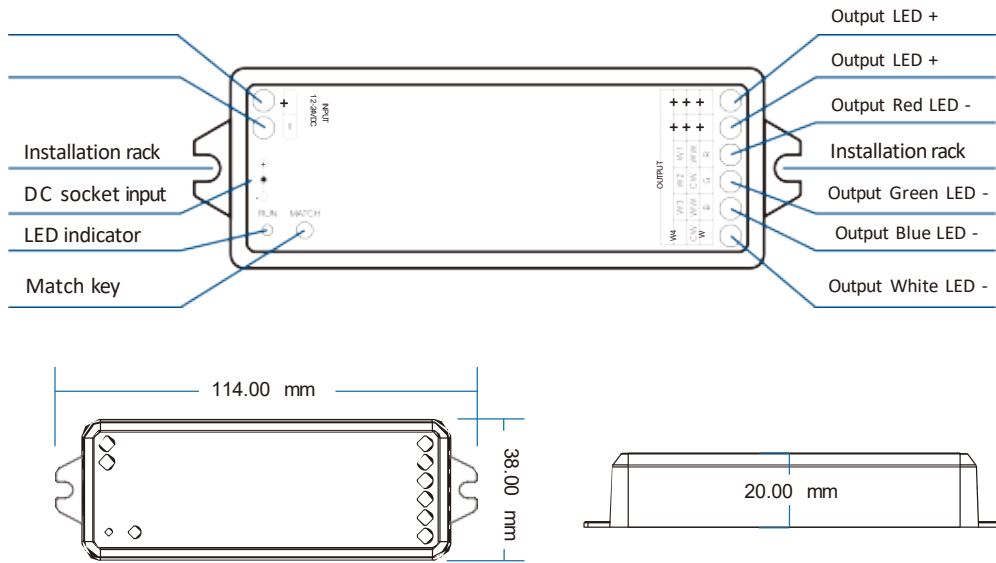
### Dimming Data

Input signal	RF 2.4GHz
Control distance	30m(Unobstructed)
Dimming gray scale	4096 (2 <sup>12</sup> )levels
Dimming range	0-100%
Dimming curve	Logarithmic
PWM frequency	100Hz (default)

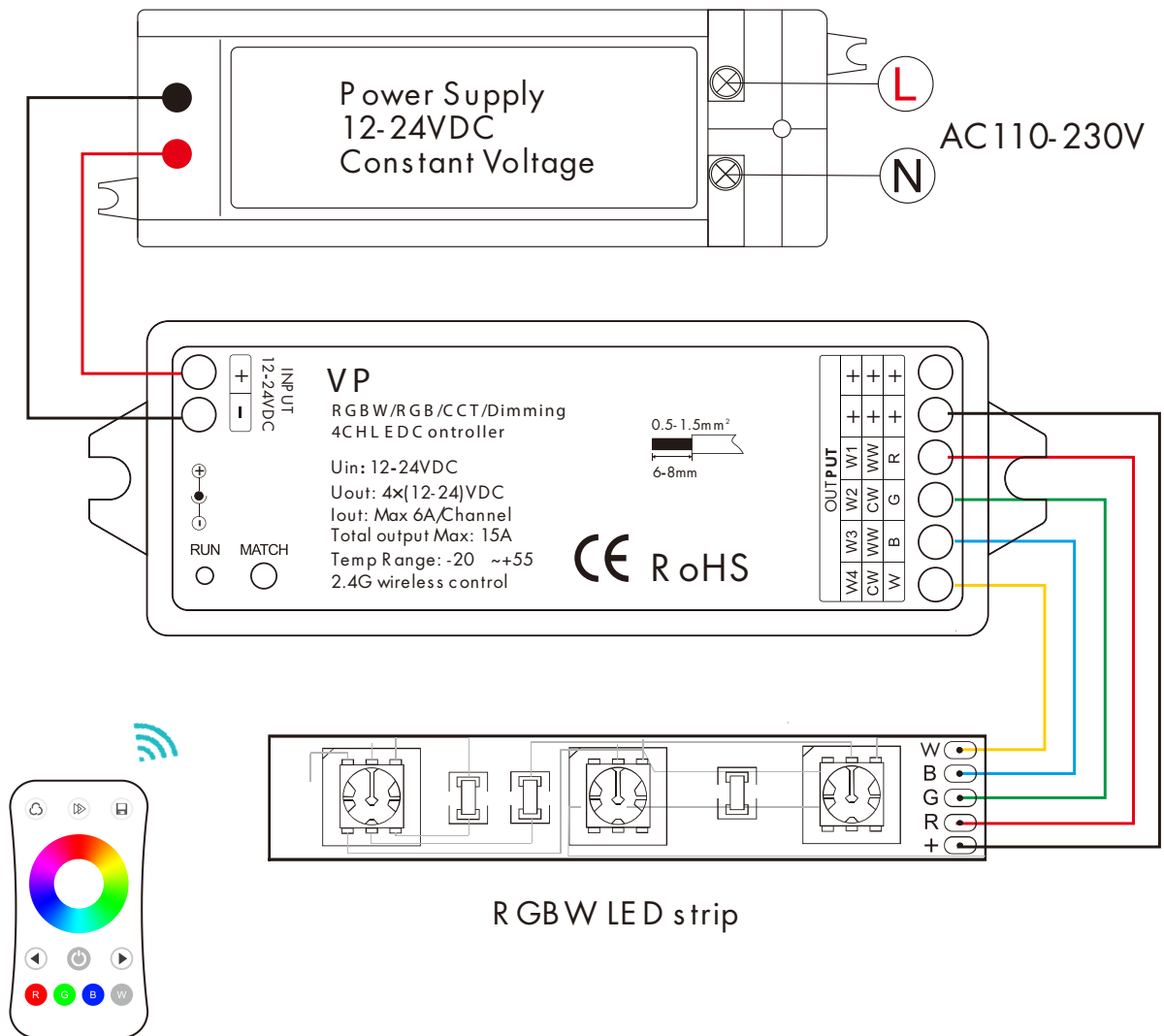
### Safety and EMC

EMC standard (EMC)	ETSI EN 301 489-1 V2.2.3 ETSI EN 301 489-17 V3.2.4
Safety standard (LVD)	EN 62368-1 :2020+A11 :2020
Radio equipment(RED)	ETSI EN 300 328 V2. 2.2
Certification	CE,EMC,LVD, RED

# Mechanical structures and installation



# Wiring Diagram



## Match to Remote Control

Below are two options to match to a remote or delete unwanted matches.

### Use the controller's Match Key

Match:

Short press the match key, immediately press on/off key (single zone remote) or zone key (multiple zone remote) of the remote. The led indicator will flash quickly a few times to show the match was successful.

Delete:

Press and hold the match key for 5 seconds to delete all matches. The light indicator will flash quickly a few times to show all matched remotes were deleted.

### Use Power Restart

Match:

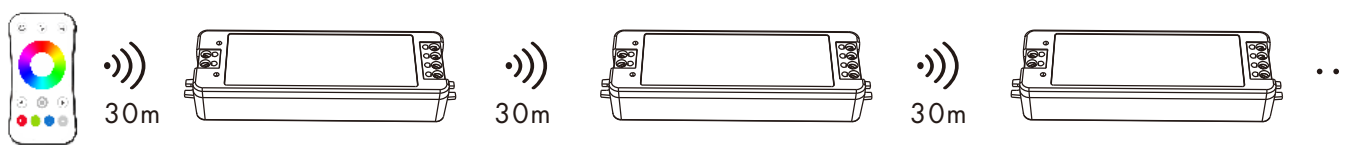
Switch the power off and on again, immediately short press the on/off (single zone remote) or zone key (multiple zone remote) 3 times on the remote. The light will blink 3 times, to confirm the match is successful.

Delete:

Switch the power off and on again, and repeat this process. Immediately short press the on/off key (single zone remote) or zone key (multiple zone remote) 5 times on the remote. The led indicator will flash quickly a few times to show the match was successful.

## Application Notes

All the receivers are matched with one RF remote.



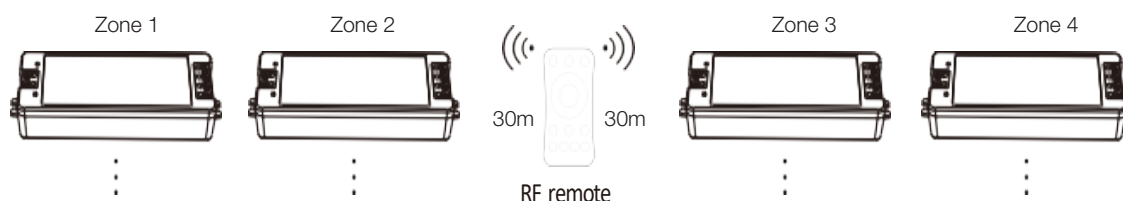
### RF remote

Auto-transmitting: One receiver can transmit the signal from the remote to another receiver within 30m, as long as there is a receiver within 30m, the remote control distance can be limitless.

Auto-synchronisation: Multiple receivers within 30m distance can work simultaneously when they are controlled by the same remote, under the same dynamic mode and with the same speed.

Receiver placement may offer up to a 30m communication distance. However, we recommend for indoor applications that receiver placements should be no further than 15m apart.

Each receiver (one or more) in a different zone, like zone 1, 2, 3 or 4.



### Light on/off fade time

Long press the match key for 5 seconds, then short press the match key 3 times, the light on/off light time will be set to 3 seconds, the light will blink 3 times.

Long press the match key for 10 seconds, restore factory default parameter, the light on/off time restores to 5 seconds.

## Dynamic Mode List

No.	Name	No.	Name
1	RGB jump	6	RGB fade in and out
2	RGB smooth	7	Red fade in and out
3	6 colour jump	8	Green fade in and out
4	6 colour smooth	9	Blue fade in and out
5	Yellow cyan purple smooth	10	White fade in and out

## Malfunctions Analysis & Troubleshooting

Malfunctions	Causes	Troubleshooting
No light	<ol style="list-style-type: none"> <li>1. No power</li> <li>2. Wrong or insecure connection</li> </ol>	<ol style="list-style-type: none"> <li>1. Check the power</li> <li>2. Check the connection</li> </ol>
Wrong colour	<ol style="list-style-type: none"> <li>1. Wrong connection of R/G/B wires</li> </ol>	<ol style="list-style-type: none"> <li>1. Reconnect R/G/B/W wires</li> </ol>
Uneven intensity between front and rear, with voltage drop	<ol style="list-style-type: none"> <li>1. Output cable is too long</li> <li>2. Wire diameter is too small</li> <li>3. Overload beyond power supply capability</li> <li>4. Overload beyond controller capability</li> </ol>	<ol style="list-style-type: none"> <li>1. Reduce cable or loop supply</li> <li>2. Change to a wider wire</li> <li>3. Replace with a higher power supply</li> <li>4. Add a data repeater</li> </ol>
No response from the remote	<ol style="list-style-type: none"> <li>1. The battery has no power</li> <li>2. Beyond controllable distance</li> <li>3. The controller did not match the remote</li> </ol>	<ol style="list-style-type: none"> <li>1. Replace battery</li> <li>2. Reduce remote distance</li> <li>3. Re-match the remote</li> </ol>

## Safety Information

1. The product shall be installed and serviced by a qualified person
2. This product is non-waterproof. Please avoid the sun and rain
3. Good heat dissipation will prolong the working life of the controller, please ensure good ventilation
4. Please check if the output voltage of any power supplies used comply with the working voltage of the product
5. Ensure all wire connections and polarities are correct and secure before applying power to avoid any damages to the LED lights
6. If a fault occurs please return the product to your supplier. Do not attempt to fix this product yourself

While every effort has been made to ensure the accuracy of all information provided Task Lighting can not be held responsible for any errors. Task Lighting also reserves the right to modify/delete product details without notice.