

LEDCHAN490 SUSPENSION MOUNTED INSTALLATION INSTRUCTIONS

Extrusion installation:

1) Carefully mark out on the ceiling surface a faint centre line or laser-line to position the luminaires in the room. In some instances, such as for a pitched ceiling, you may wish to mark it out on the floor, and either shoot a laser up, or drop a plumb-line to your marks.

2) Plan to drop a suspension cable approximately every 2m.

3) Assemble extrusions to suspensions as per the exploded diagram *fig 1*.

Cable length can be adjusted to final height by pulling the tail through the clasp where it exits. Cut excess cable with suitable nippers, pliers, or cable shears. Cable wrapped in masking tape can be cut with a cut-off wheel.

4) Read separate Electrical Installation Instructions for subsequent electrical assembly.

Notes:

- Cover diffusers are not UV stabilized and will become brittle in outdoor environments.
- Drivers are remote mounted only
- Ceiling rose is not supplied

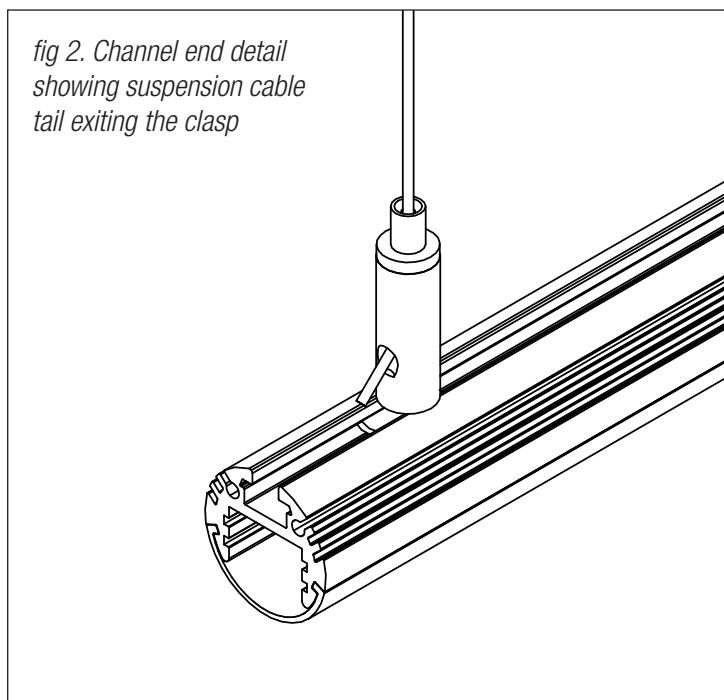


fig 1. Suspension cable assembly

