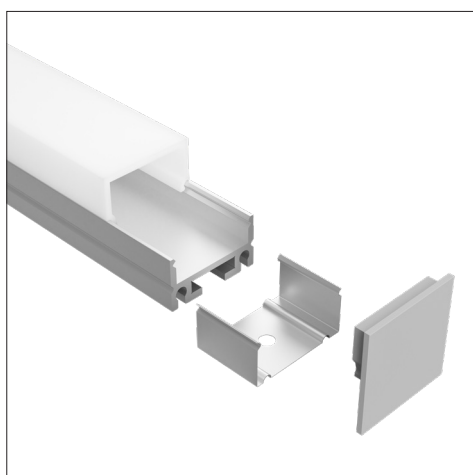
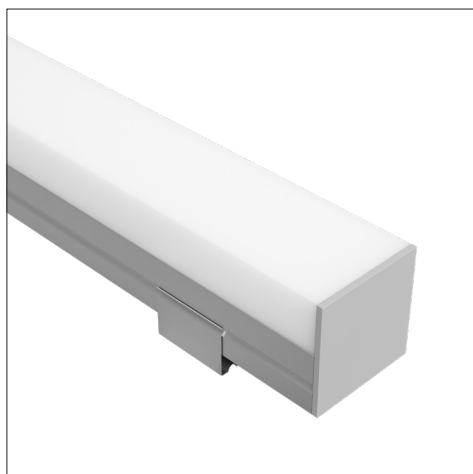


# LEDCHAN220

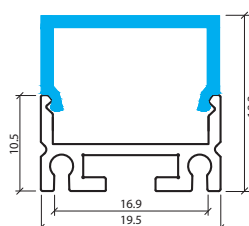
Medium Depth Surface Mount Profile



## Features

- Screw fixing of mounting clips or counter sunk screws through the profile base
- Max 4m lengths or cut to size
- W19.5mm x H19.2mm
- Suitable for interior & exterior strips 14mm wide & up to max 19.2W/m
- Aluminium body provides heat sinking for LED strips
- Dot-free illumination with appropriate strips
- Silver anodised
- 6063 Structural grade aluminium
- PMMA lens (type of acrylic) interior use
- Accessories available to install as a suspended pendant

## Dimensions



## Product Codes

Finish	Code
Silver anodised	LEDCHAN220OL (opal lens)
Accessories	
Silver end cap without hole	LEDCHAN220EC1
Silver end cap with hole	LEDCHAN220EC2
Silver mounting clip	LEDCHANMC5
Grommet for rear cable entry	GROMMETS
Suspension	LEDCHANSK1.2M (1.2m drop) LEDCHANSK2.5M (2.5m drop) LEDCHANSK5M (5m drop)
Joiners	LEDCHANJ120MID (120° joiner)
	LEDCHANJ180MID (180° joiner)
	LEDCHANJ90BMID(90° joiner B version)
	LEDCHANJ90MID (90° std joiner)

## Applications

- Surface mounted
- Suspended
- Retail display lighting
- Kitchen cabinets
- Toe kicks
- Bathroom cabinets
- Wardrobes

While every effort has been made to ensure the accuracy of all information provided Task Lighting can not be held responsible for any errors. Task Lighting also reserves the right to modify/delete product details without notice.