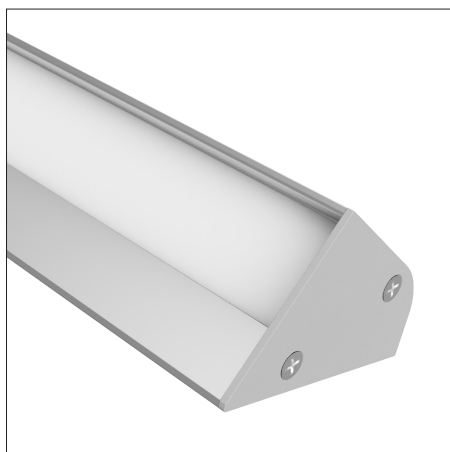


# LEDCHAN740

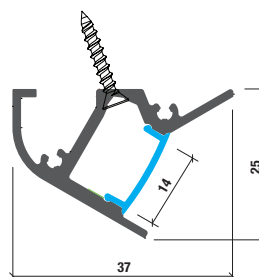
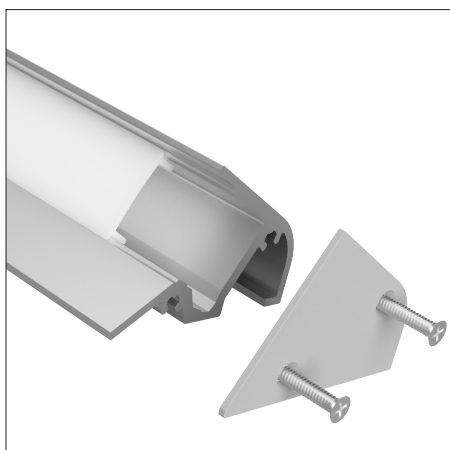
Surface Mount or Wall Grazing



## Features

- Max 4m lengths or cut to size
- W37mm x H25mm
- Suitable with Task strips up to 20W/m
- Aluminium body provides heat sinking for LED strips
- Dot-free with appropriate strips
- Silver anodised
- 6063 Structural grade aluminium
- PMMA lens (type of acrylic) interior use
- Direct screw fixing with rear cable entry via grommet

## Dimensions



## Applications

- Wall or ceiling wash
- High lighting artwork
- Retail product lighting

## Note

- Drivers will be remote
- Rear cable entry using a grommet

## Product Codes

Finish	Code
Silver anodised	LEDCHAN740OL (opal lens)
Accessories	
Silver end cap without hole left	LEDCHAN740EC1
Silver end cap without hole right	LEDCHAN740EC2

While every effort has been made to ensure the accuracy of all information provided Task Lighting can not be held responsible for any errors. Task Lighting also reserves the right to modify/delete product details without notice.