

LCDMSD-V1-T

Single Channel 3-in-1 Dimmer

Features

- RF remote, 0/1-10V, Push Dim (3-in-1) dimming
- Compatible with a range of 2.4G remote controls, one RF controller has the ability to accept up to 10 remotes
- Auto-transmitting function: Controller is able to automatically transmit the signal to another within 15m with no obstructions
- Ability to sync to multiple controllers
- Connect with an external push switch to achieve on/off and dimming functions



Technical Parameters

Input and Output	
Input voltage	12-24VDC
Input current	20.5A
Output voltage	12-24VDC
Output current	1CH,20A
Output power	240W/480W (12V/24V)
Output type	Constant voltage

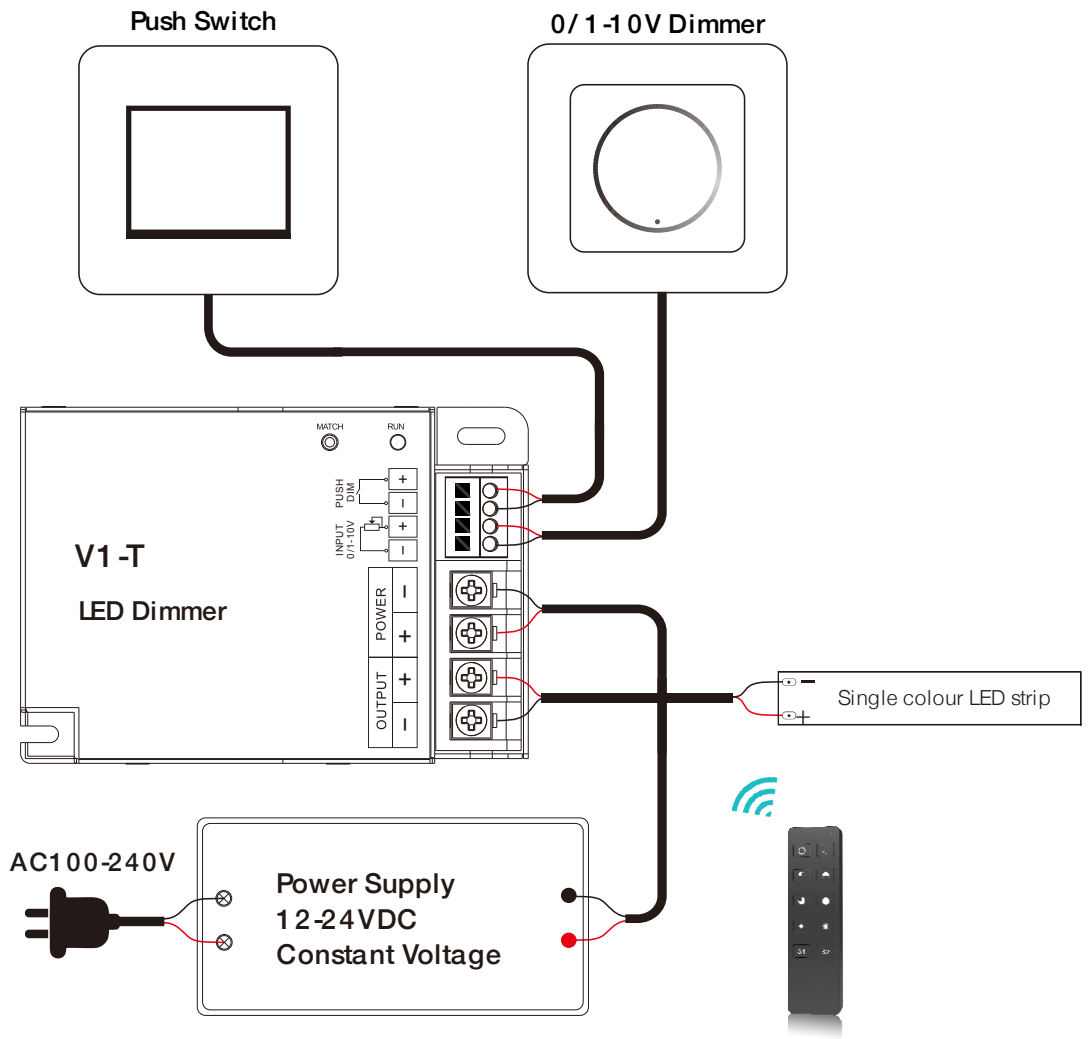
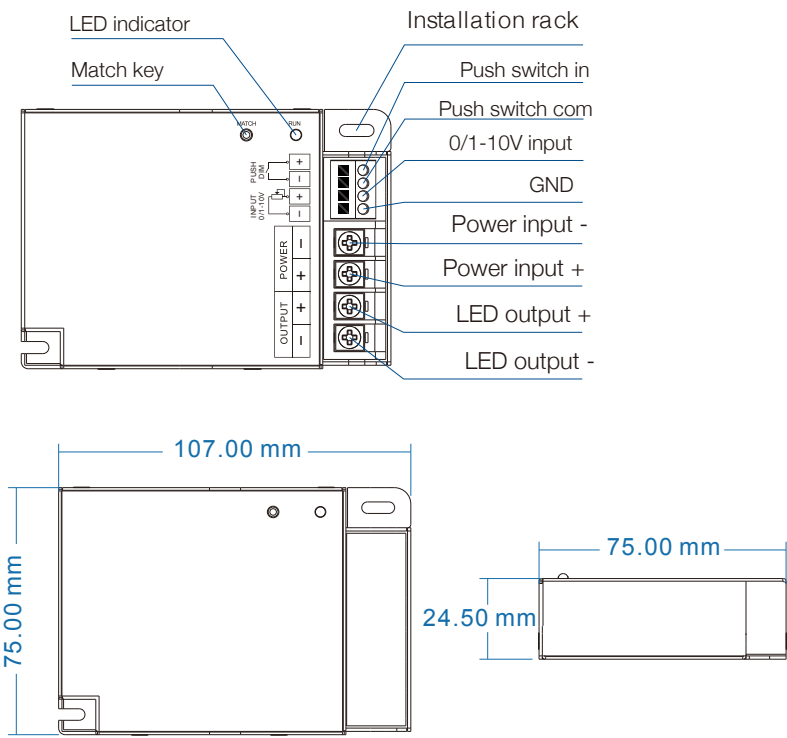
Environment	
Operation temperature	Ta: -30°C ~ +55°C
Case temperature(Max.)	Tc: +85°C
IPrating	IP20

Warranty and Protection	
Warranty	5 years
Protection	Reverse Polarity

Dimming data	
Input signal	RF 2.4GHz 0/1-10V Push Dim
Control distance	15m
Dimming level	4096 levels
Dimming range	0 -100 %
Dimming curve	Logarithmic
PWM Frequency	500Hz

Safety and EMC	
EMC standard (EMC)	EN301 489,EN 62479
Safety standard (LVD)	EN60950
Radio Equipment(RED)	EN300 328
Certification	CE,EMC,LVD,RED

Mechanical Structures and Installations



Match Remote Control (two match ways)

End user can choose the suitable match/delete ways. Two options are offered for selection:

Use the controller's Match key

Match:

Short press match key, immediately press on/off key (single zone remote) or zone key (multiple zone remote) on the remote.

Delete:

Press and hold the match key for 5s to delete all matches, The light will blink 5 times which means all matched remotes were deleted.

Use Power Restart

Match:

Switch the power off and on again, immediately short press on/off key (single zone remote) or zone key (multiple zone remote) 3 times on the remote. The light will blink 3 times which means the match is successful.

Delete:

Switch the power off and on again, immediately short press on/off key (single zone remote) or zone key (multiple zone remote) 5 times on the remote. The light will blink 5 times which means all matched remotes were deleted.

0/1-10V Dimming

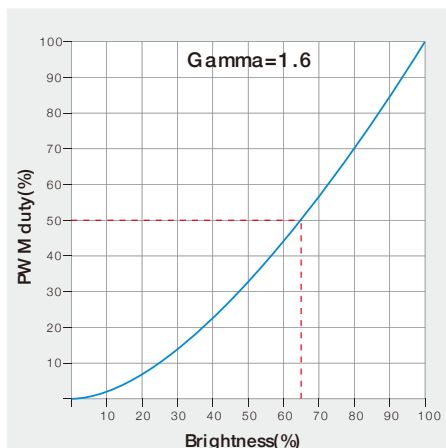
- 0-100% dimming
- Compliant with 0-10V, 1-10V, 10V PWM, RX(4 in 1)

Push Dim Function

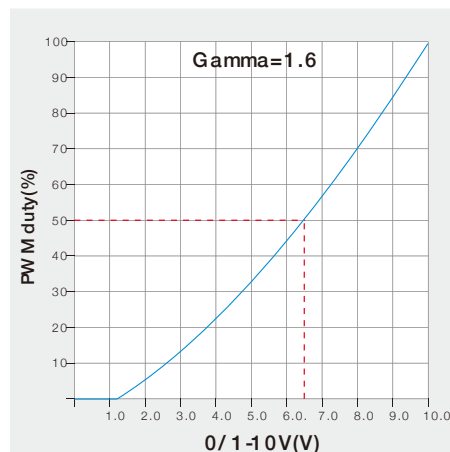
- **Short press:**
Turn the light on or off.
- **Long press (1-6s):**
Press and hold to step-less dimming.
With every other long press, the light level goes to the opposite direction.
- **Dimming memory:**
Light returns to the previous dimming level when switched off and on again, even at power failure.

Dimming Curve

RF and Push dimming



0/1-10V dimming



Malfunctions Analysis & Troubleshooting

Malfunctions	Causes	Troubleshooting
No light	<ol style="list-style-type: none">1. No power.2. Wrong connection or insecure.	<ol style="list-style-type: none">1. Check the power.2. Check the connection.
Uneven intensity between front and rear,with voltage drop	<ol style="list-style-type: none">1. Output cable is too long.2. Wire diameter is too small.3. Overload beyond power supply capability.4. Overload beyond controller capability.	<ol style="list-style-type: none">1. Reduce cable or loop supply.2. Change wider wire.3. Replace higher power supply.4. Add power repeater.
No response from the remote	<ol style="list-style-type: none">1. The battery has no power.2. Beyond controllable distance.3. The controller did not match the remote.	<ol style="list-style-type: none">1. Replace battery.2. Reduce remote distance.3. Re-match the remote.

While every effort has been made to ensure the accuracy of all information provided Task Lighting can not be held responsible for any errors. Task Lighting also reserves the right to modify/delete product details without notice.