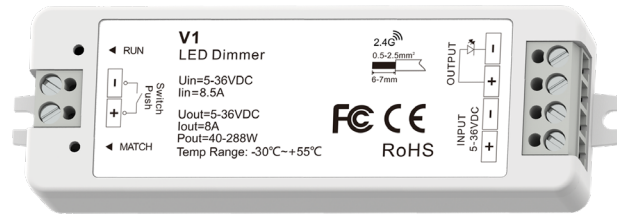


LCDMSD-V1

8Amp 5-36VDC Single Channel Controller



Features

- Single channel constant voltage output
- Smooth dimming and switching without flickering
- 2.4GHz wireless technology, remote distance of up to 30m with no obstructions
- Auto-transmitting function, one receiver can transmit the signal from the remote to another receiver within 15m
- Can connect with external push switch to turn on/off and dim
- Compatible with data repeaters to expand the output

Electrical Data

Input and Output

- Input voltage: 5-36VDC
- Input current: 8.5Amp
- Output voltage: 5-36VDC
- Output current: 1CH, 8A

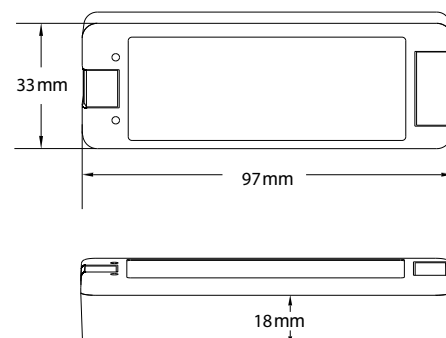
Protection

- Operation temp: 30°C~+55°C
- IP rating: IP20
- Warranty: 5 years
- Reverse polarity, over head/load and short circuit protection

Dimming Data

- Input signal: RF 2.4GHz + Push Dim
- Control Distance: 30m (unobstructed)
- Dimming gray scale: 4096 (2^{12}) levels
- Dimming range: 0-100%
- Dimming curve: Logarithmic
- PWM frequency: 2000Hz (default)

Dimensions



Match Guide

Use Match key

1. Match: Short press the match key on the receiver, within 5 seconds, press on/off key of the remote
2. Delete: Long press the match key on the receiver for 5 seconds, to delete on the matched remote

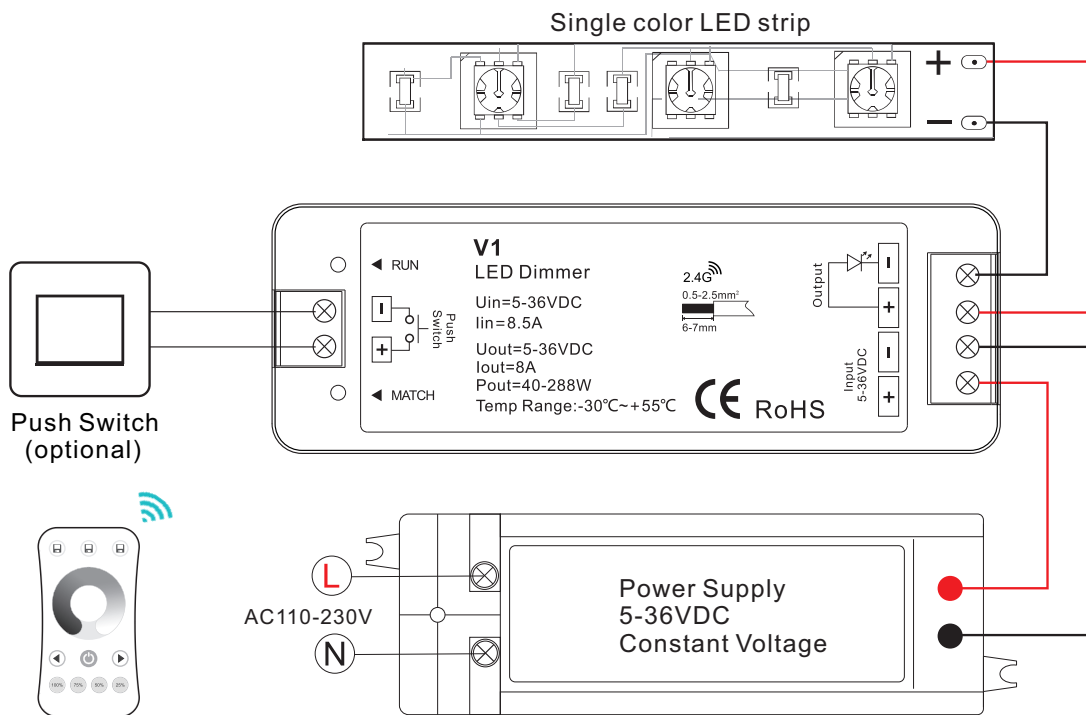
Use Power-up

1. Match: Switch the power off and on again, short press the on/off key 3 times on the remote, quickly within 5 seconds after the power is on, the link is done once the light blinks 3 times
2. Delete: Switch off the power, then switch on again, short press on/off key 5 times on the remote quickly within 5 seconds after the power is on, the unlink is done once the light blinks 5 times

External Push Switch (optional)

1. Short press: Turn on/off light
2. Long press(1-5 seconds): When the light is on, increase or decrease brightness continuously
3. Long press(10 seconds): When multiple controllers share a on/off key, this can achieve simultaneous adjustment

Wiring Diagram



While every effort has been made to ensure the accuracy of all information provided Task Lighting can not be held responsible for any errors. Task Lighting also reserves the right to modify/delete product details without notice.