

# LDRTL700-12W-18V

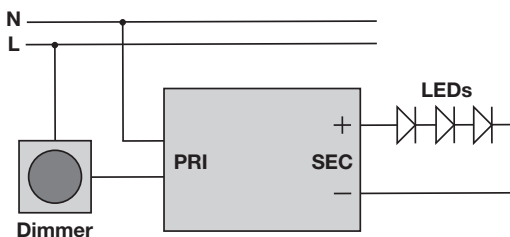
220-240V Constant Current Driver



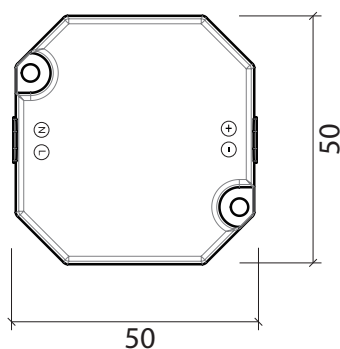
## Features

- Dimmable with leading edge or trailing edge dimmers
- IP65 for exterior use
- Flying leads in and out
- Compact design

## Wiring diagram



## Dimensions



## Technical Data

Input parameters	
Rated input voltage	220-240VAC
Input current (Full load)	0.08A
Input frequency	50/60Hz
Max input power	15W
Power factor (Full load)	≥0.95
No-load power	≤1.0W
Inrush current	≤5.0A
Output parameters	
Output Voltage	12-18V
Output Current (Full load)	700mA±5%
Output Power (Full load)	12W
Operating Frequency (Full load)	60KHz
Environment	
Working temperature	-20 ...+ 50°C
Safety	Tested to AS/NZS requirements
Protection	
No load	Auto-recovery if fault is removed
Over load	
Short circuit	
Expected life	30,000 Hours
Warranty	2 year
IP rating	IP65

While every effort has been made to ensure the accuracy of all information provided Task Lighting can not be held responsible for any errors. Task Lighting also reserves the right to modify/delete product details without notice.