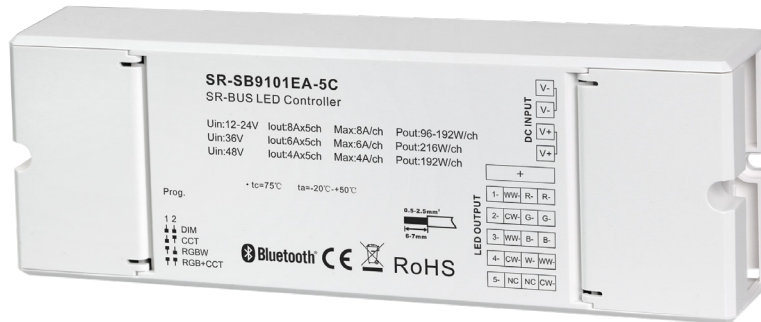


LCBTSR-9101

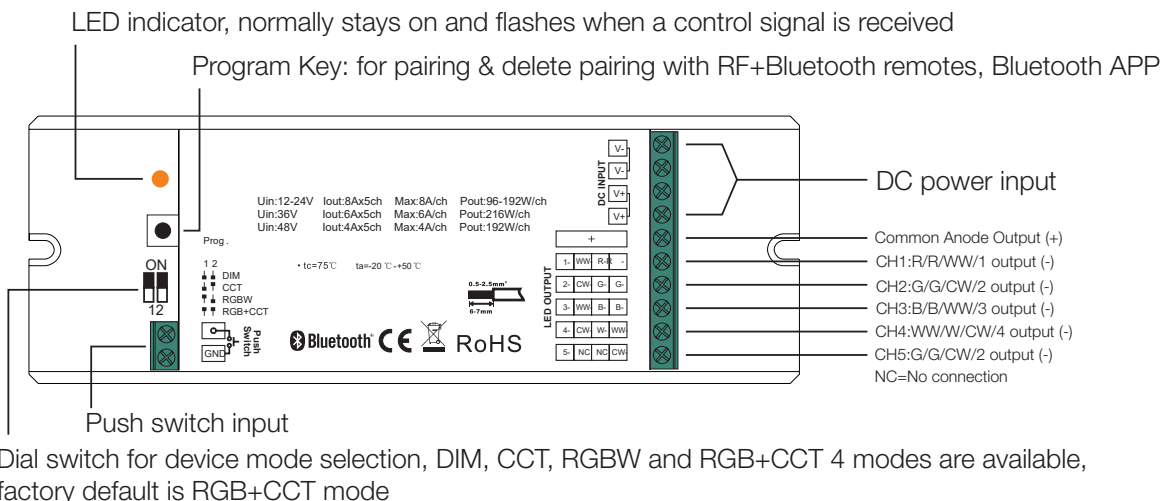
RF/Bluetooth LED Controller



Features

- 4 in 1 universal RF+ Bluetooth LED controller, radio frequency: 2.4GHz
- 4 modes to choose from that can be selected by the dial switch DIM, CCT, RGBW and RGB+CCT
- Enables control of ON/OFF, light intensity, colour temperature and RGB colour of the LED lights
- Controlled through both smart App and remote controls, no gateway required
- Can be configured as six different light types: RGB+CCT, RGBW, RGB, CCT, DIM, ON/OFF through the APP
- Easy & quick pairing to the smart App by simply pushing the Prog button
- Mesh network with a much longer control distance, transmits received signal to neighbour devices
- Up to 30m transmission distance between every two neighbour devices
- Encrypted two-way communication, quick status feedback, safe and reliable data transmission
- Compatible with universal RF+ Bluetooth remotes, each LED controller can pair to up to 8 remotes
- Cloud control is available for remote access, works with Amazon Alexa and Google Home
- Can be controlled by existing push switches without Bluetooth signal
- Waterproof grade: Ip20

Function Introduction



Product Data

Input voltage	Output current	Output power	Connector Current Rating	Wire size	Remarks	Size (LxWxH)	Ambient Temp	Max Casing Temp
12-48VDC	Max. 8A/CH@12/24V Max. 6A/CH@36V Max. 4A/CH@48V	Max. 96W/CH@12 Max. 192W/CH@24V Max. 216W/CH@36V Max. 192W/CH@48V	Max. 20A	0.05-3.3mm ²	Constant Voltage	170x59x-29mm	20°C~+50°C	75°

Operation

Pair/delete the pairing with RF+Bluetooth remote

1. Complete wiring based on wiring diagram on this data sheet
2. Pair LED controller with RF+Bluetooth remote: please refer to the instruction of the remote that you would like to pair with
3. Delete the pairing:
 - (1) Wire up the LED controller correctly, power on.
 - (2) Press and hold down the “Prog.” button on the controller for over 3 seconds (or reset the power of the device 8 times continuously if the button is not accessible to factory reset the device) until the connected light flashes, which means its successfully deleted.

Pair with smart APP

1. Complete wiring based off wiring diagram on this data sheet
2. Download EasyThings APP from IOS APP Store or Android Google Play to your smart phone or tablet by searching “EasyThings”. (As shown in Figure 1)
3. Enable Bluetooth on your smart phone or tablet. (As shown in Figure 2)



Figure 1



Figure 2

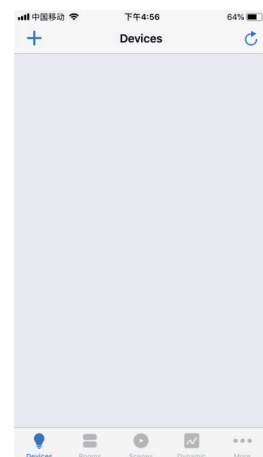


Figure 3

4. Run EasyThings APP, tap add button “+” on the APP to add device, then choose “Discover devices” to discover device, then short press the “Prog.” button on the LED controller twice (or reset power of the controller twice continuously) to set the device into pairing to APP mode. (As shown in Figure 3, 4 and 5).

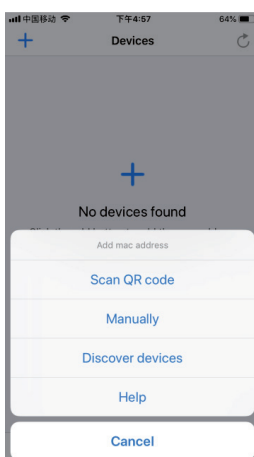


Figure 4

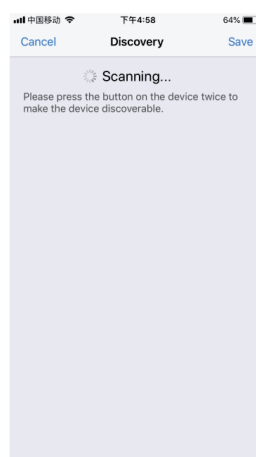


Figure 5

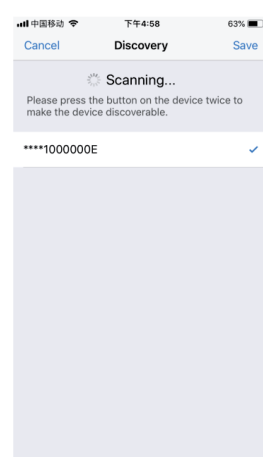


Figure 6

Note: multiple LED controllers can be discovered by the APP at the same time.

5. Once the device/device(s) are discovered, tick the device/device(s) and tap “Save” button, the device/device(s) will be added successfully. (as shown in Figure 6)

Configure Light Type Using smart APP

1. Press and hold the device icon to enter into control interface, then tap button “✎” at upper right corner to enter into edit page of this device (As shown in Figure 7 & Figure 8).
2. Then tap “Light Type” to enter light type configuration page, for this driver, it can be configured as 6 light types: RGB+CCT, RGBW, RGB, CCT, DIM, ON/OFF. Once select a Light Type, tap “✔” at upper right corner to confirm, the connected light will flash to indicate successful configuration. (As shown in Figure 8)

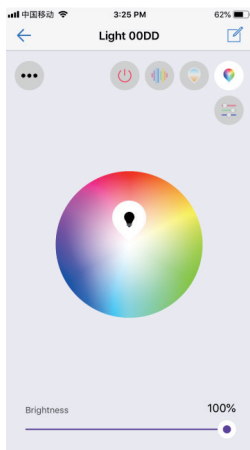


Figure 7

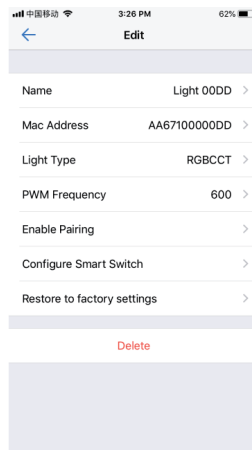
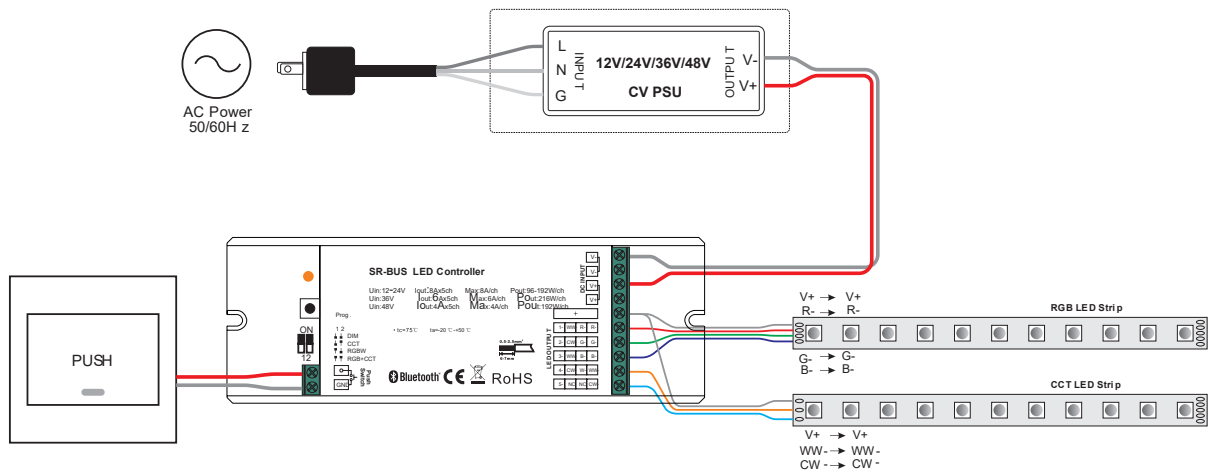


Figure 8

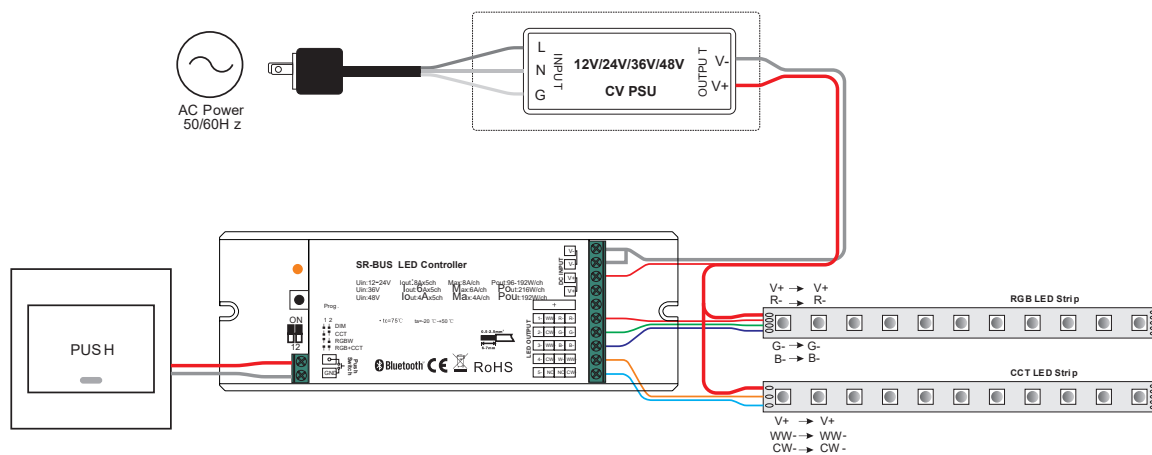
Wiring Diagram

1) When the total load of each receiver is not over 20A

RGB+CCT Mode



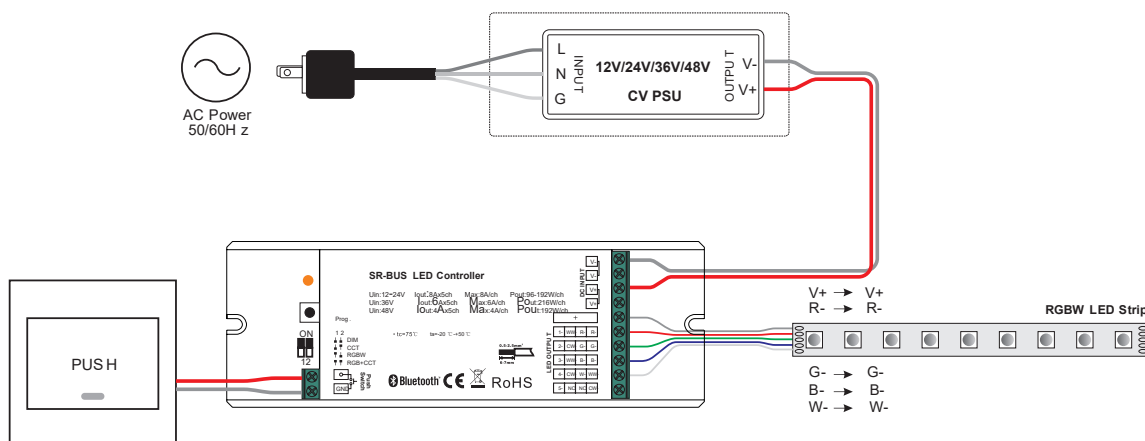
2) When the total load of each receiver is over 20A



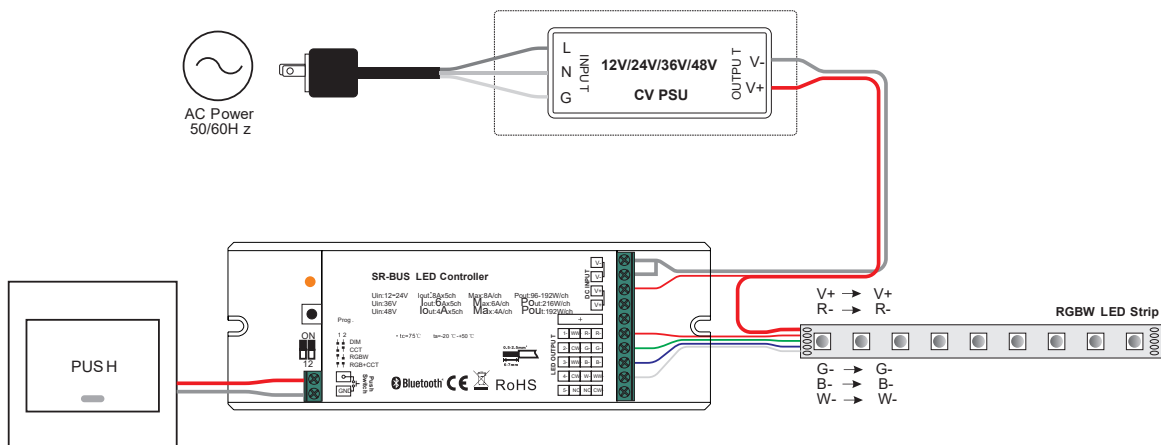
Note: please make sure the dial switches are at the position for RGB+CCT mode as shown in above diagram.

RGBW Mode

1) When the total load of each receiver is not over 20A

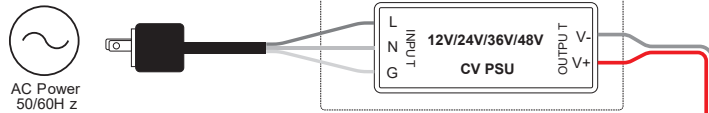


2) When the total load of each receiver is over 20A

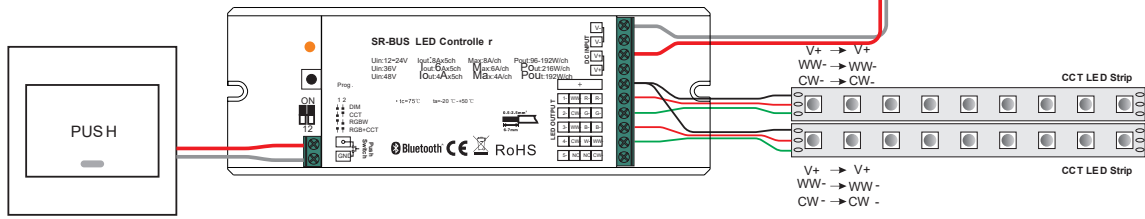


Note: please make sure the dial switches are at position for RGBW mode as shown in above diagram.

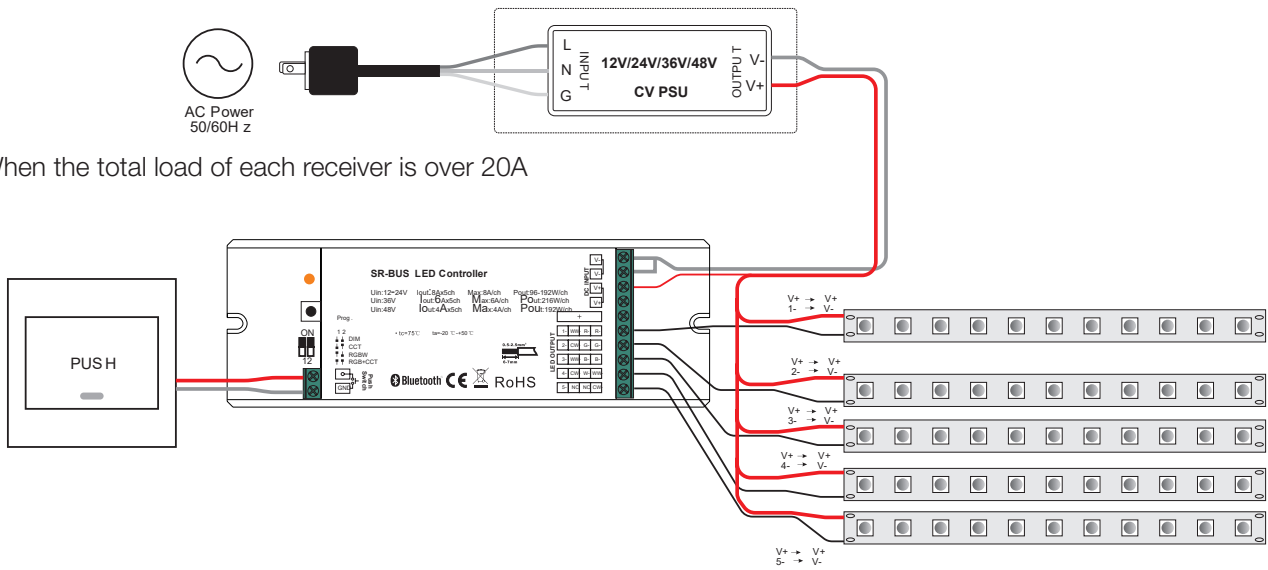
CCT Mode



1) When the total load of each receiver is not over 20A



2) When the total load of each receiver is over 20A

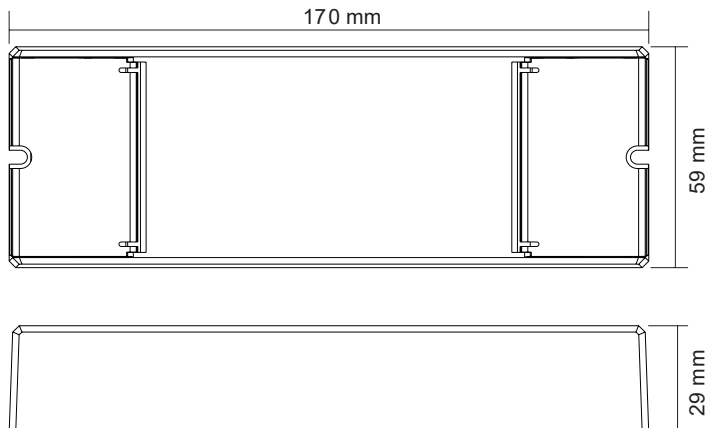


Note: please make sure the dial switches are at position for DIM mode as shown in above diagram.

PUSH DIM:

While connected with a push switch, click the button to switch ON/OFF lights. Press and hold down the button to increase/decrease light intensity.

Dimensions



While every effort has been made to ensure the accuracy of all information provided Task Lighting can not be held responsible for any errors. Task Lighting also reserves the right to modify/delete product details without notice.