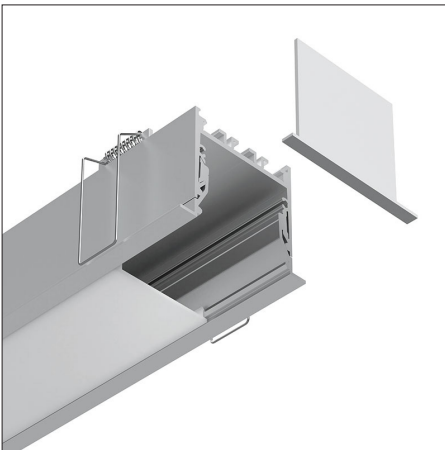
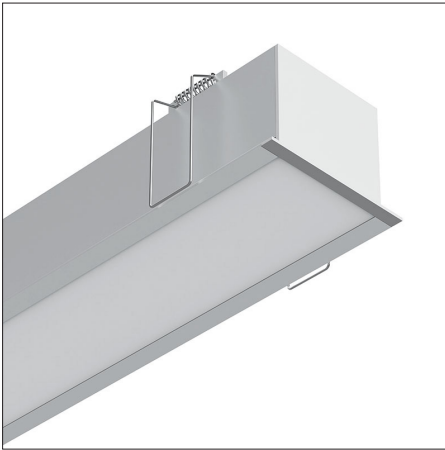


LEDCHAN890

Large Recess Mounted Profile



Features

- Simple and fast installation
- W64mm x H45mm
- Suitable with all Task strips
- Spot free even illumination with appropriate strips
- Max 4m or cut to size
- Recessed flange available in silver or white
- 6063 Structural grade aluminium
- PMMA lens (type of acrylic) interior use
- Aluminium body provides heat sinking for LED strips
- Silver anodised (8micron natural colour)

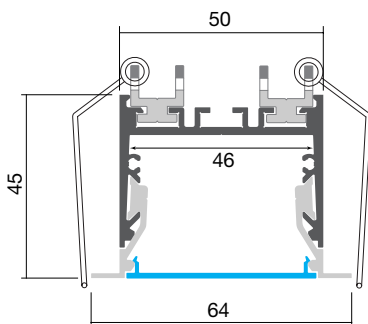
Applications

- General lighting with high power LED strips
- Office lighting
- Retail lighting
- Any work area

Product Codes

Finish	Code
Silver anodised	LEDCHAN890OL (opal lens)
White Powdercoated	LEDCHAN890OLWH (opal lens)
Accessories	
Silver end cap without hole	LEDCHAN890EC1
Silver end cap with hole	LEDCHAN890EC2
Spring loaded clip	LEDCHANSCSL
White end cap without hole	LEDCHAN890EC1WH
White end cap with hole	LEDCHAN890EC2WH
Joiners	LEDCHANJ120 (120° joiner)
	LEDCHANJ180 (180° joiner)
	LEDCHANJ90B (180° B vers)
	LEDCHANJ90 (std 180° joiner)

Dimensions



While every effort has been made to ensure the accuracy of all information provided Task Lighting can not be held responsible for any errors. Task Lighting also reserves the right to modify/delete product details without notice.