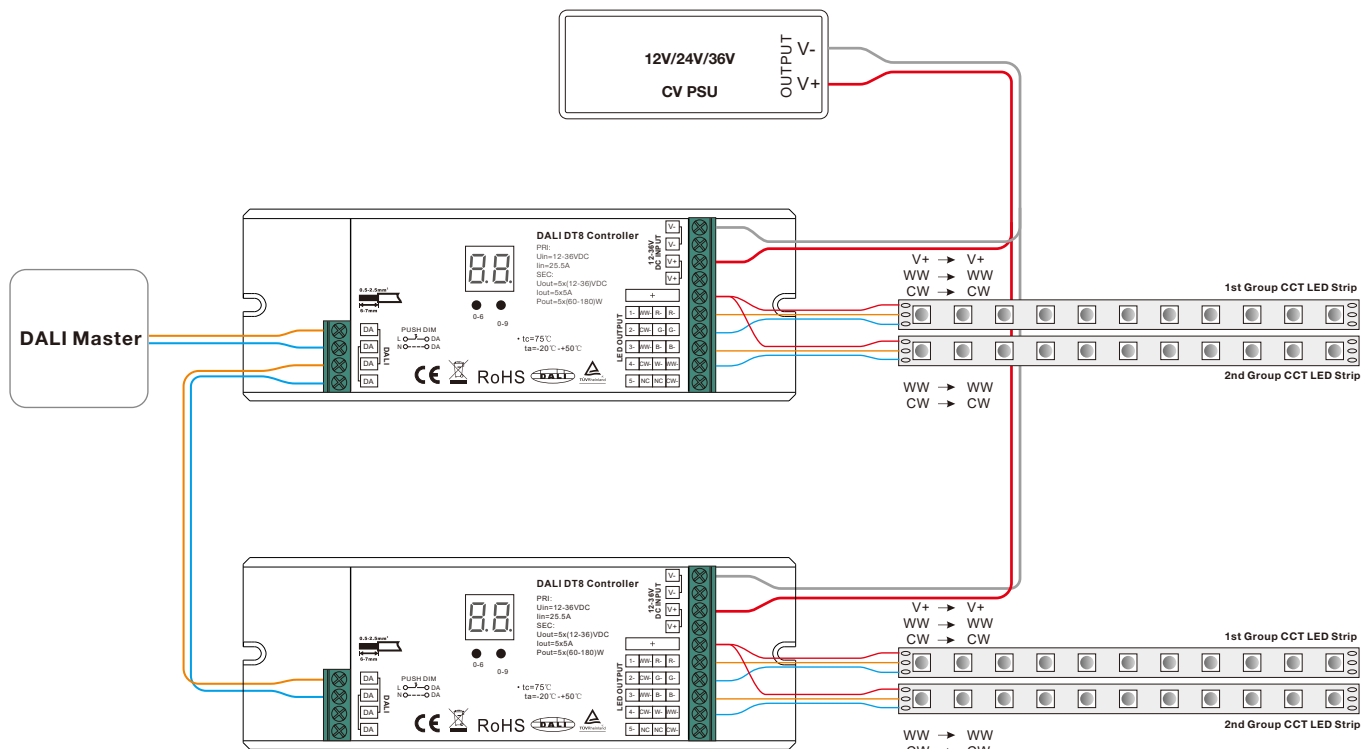


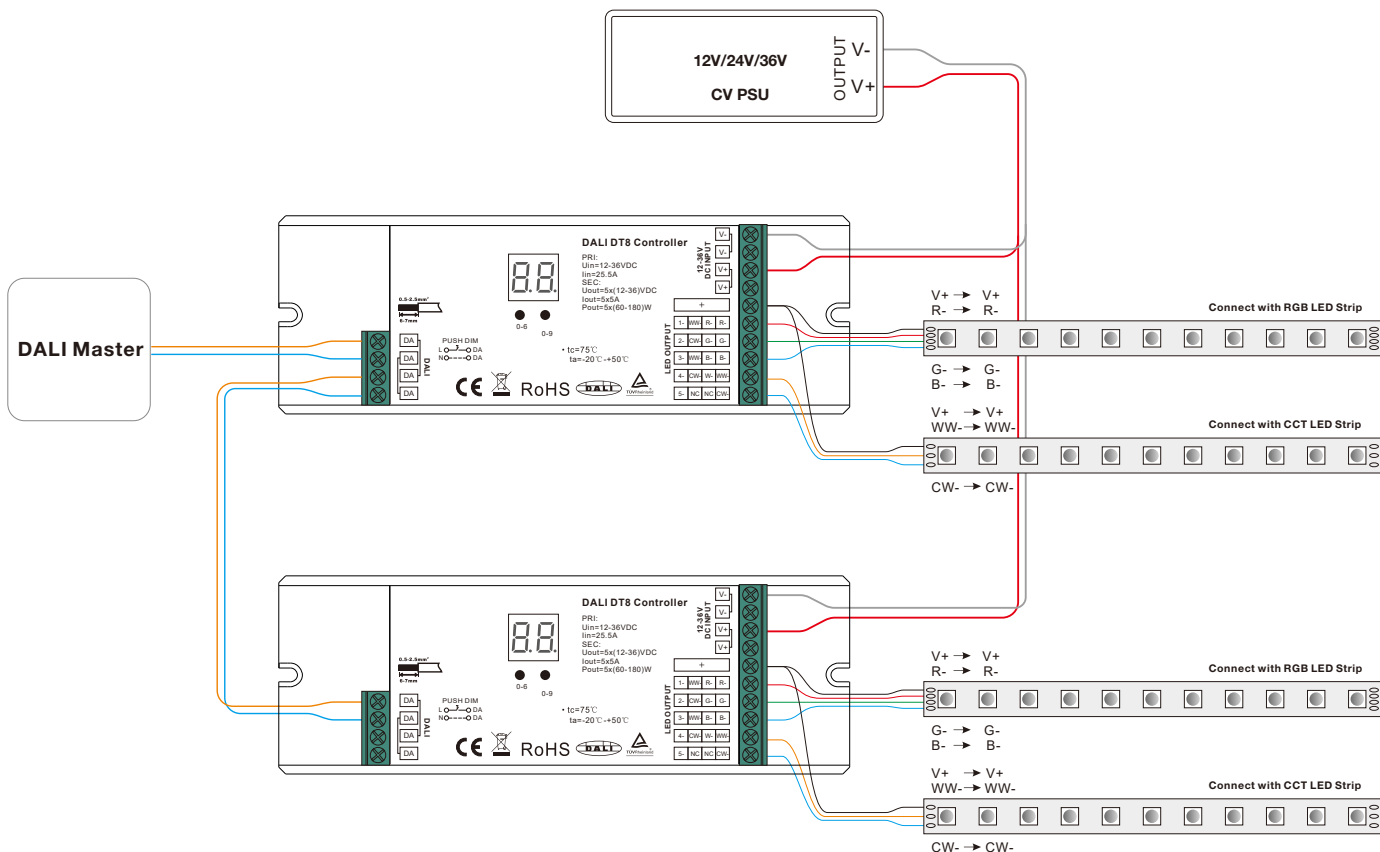
## 1. With DALI Master

### 1.1 When multi addresses Tc device type are selected.



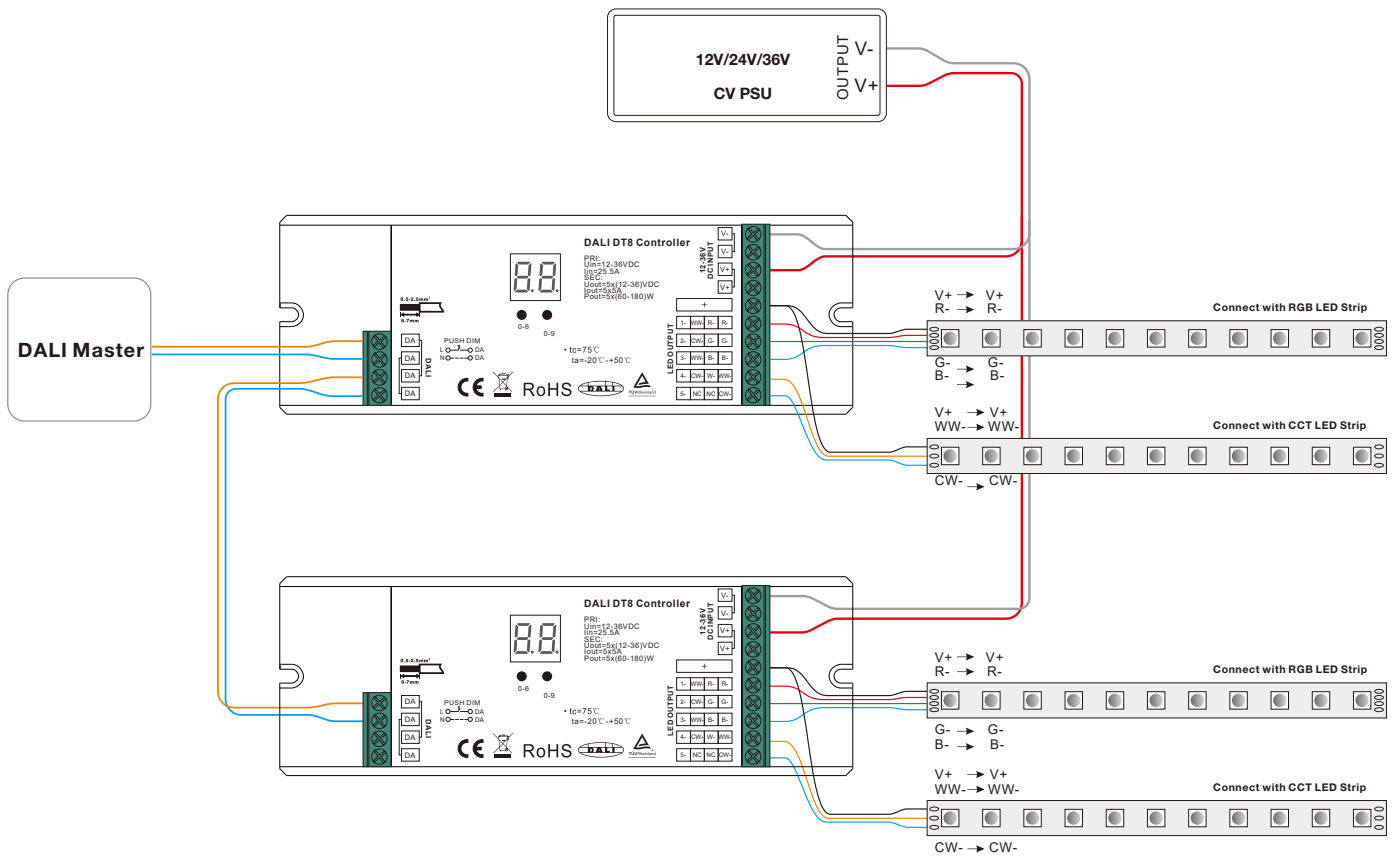
Note: 1) Please make sure that the DALI master controller supports Tc colour type commands.  
2) The control gear will be discovered by the master controller as 2 separate Tc devices.

### 1.2 When Hc multi addresses XY+Tc device type are selected.



Note: 1) Please make sure that the DALI master controller supports XY & Tc colour type commands.  
2) The control gear will be discovered by the master controller as 2 separate devices: XY, Tc.

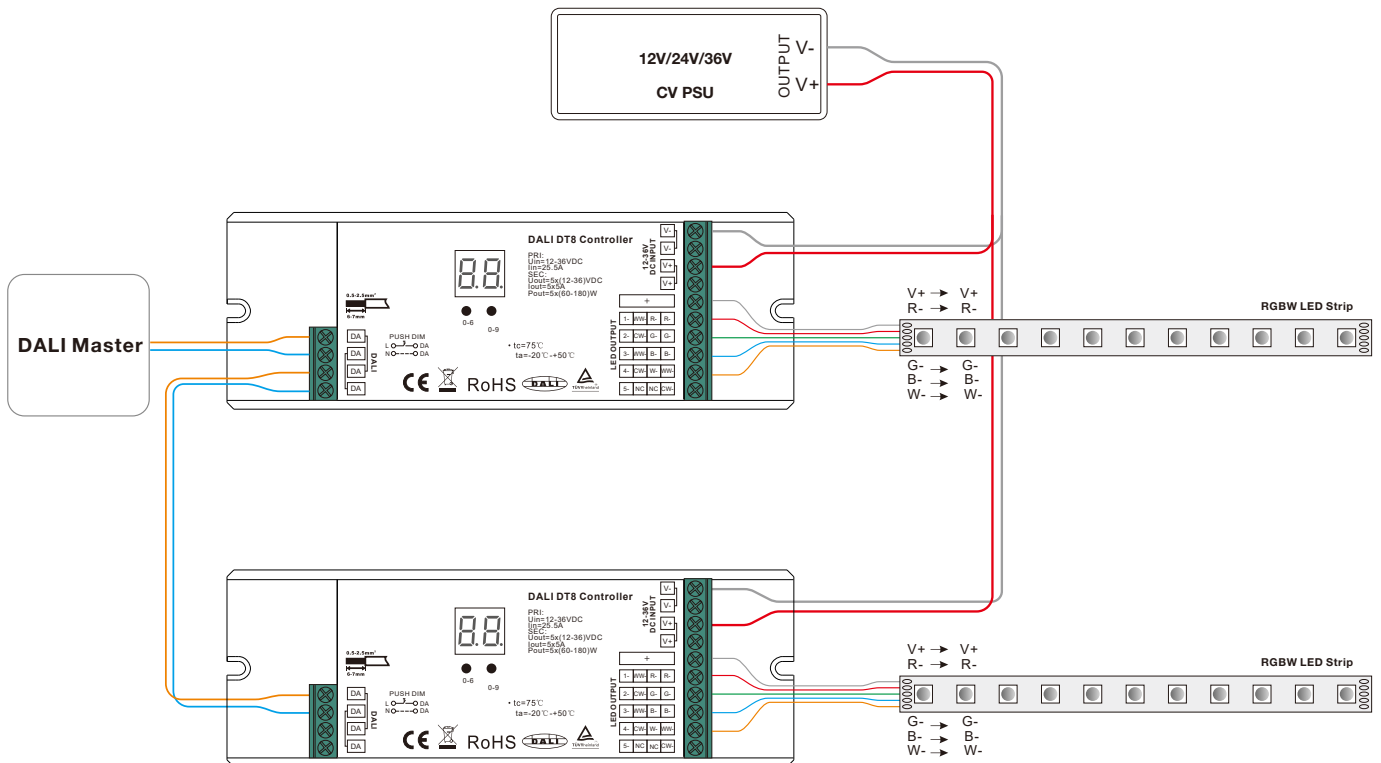
### 1.3 When **1.C** multiple addresses RGB+Tc device type are selected.



Note:

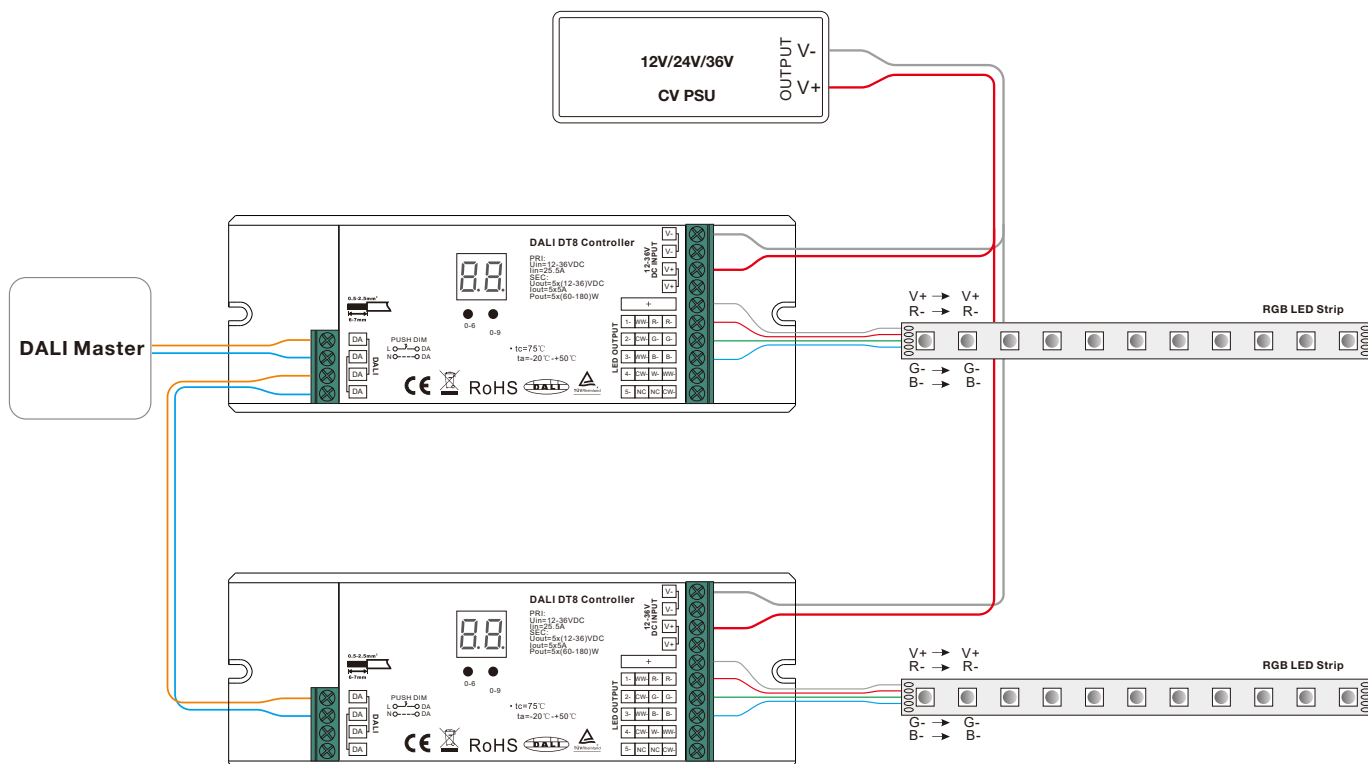
- 1) Make sure that the DALI master controller supports RGBWAF & Tc colour type commands.
- 2) The control gear will be discovered by the master controller as 2 separate devices: RGB, Tc.

### 1.4 When **4.6** multiple addresses XY+Single Colour (DT6) device type are selected.



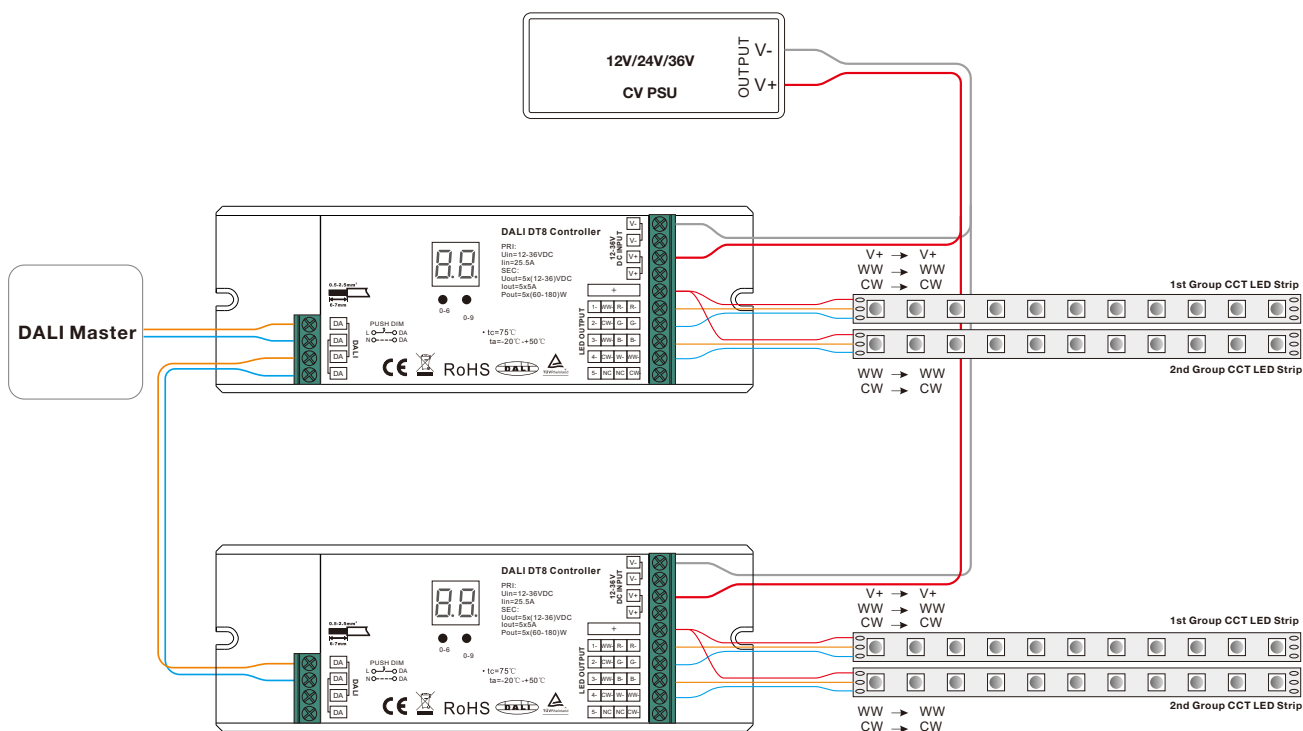
- Note: 1) Please make sure that the DALI master controller supports XY & DT6 colour type commands.  
 2) The control gear will be discovered by the master controller as 2 separate devices: XY, DT6

## 1.5 When **HH** single-address XY device type is selected



Note: Please make sure that the DALI master controller supports XY colour type commands.

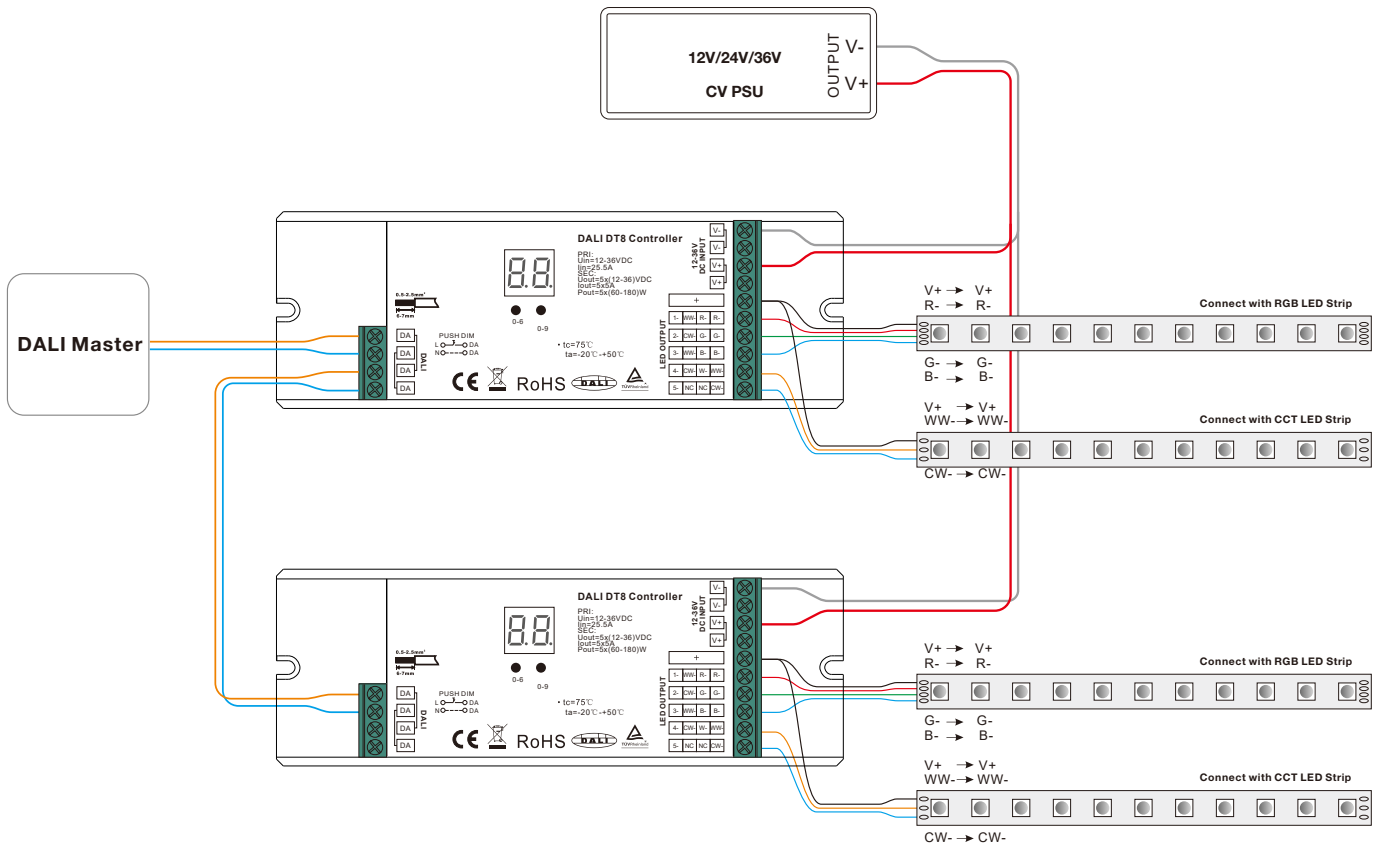
## 1.6 When **TC** single-address Tc device type is selected



Note

- 1) Please make sure that the DALI master controller supports TC colour type commands.
- 2) 2 groups of CCT LED are controlled together.

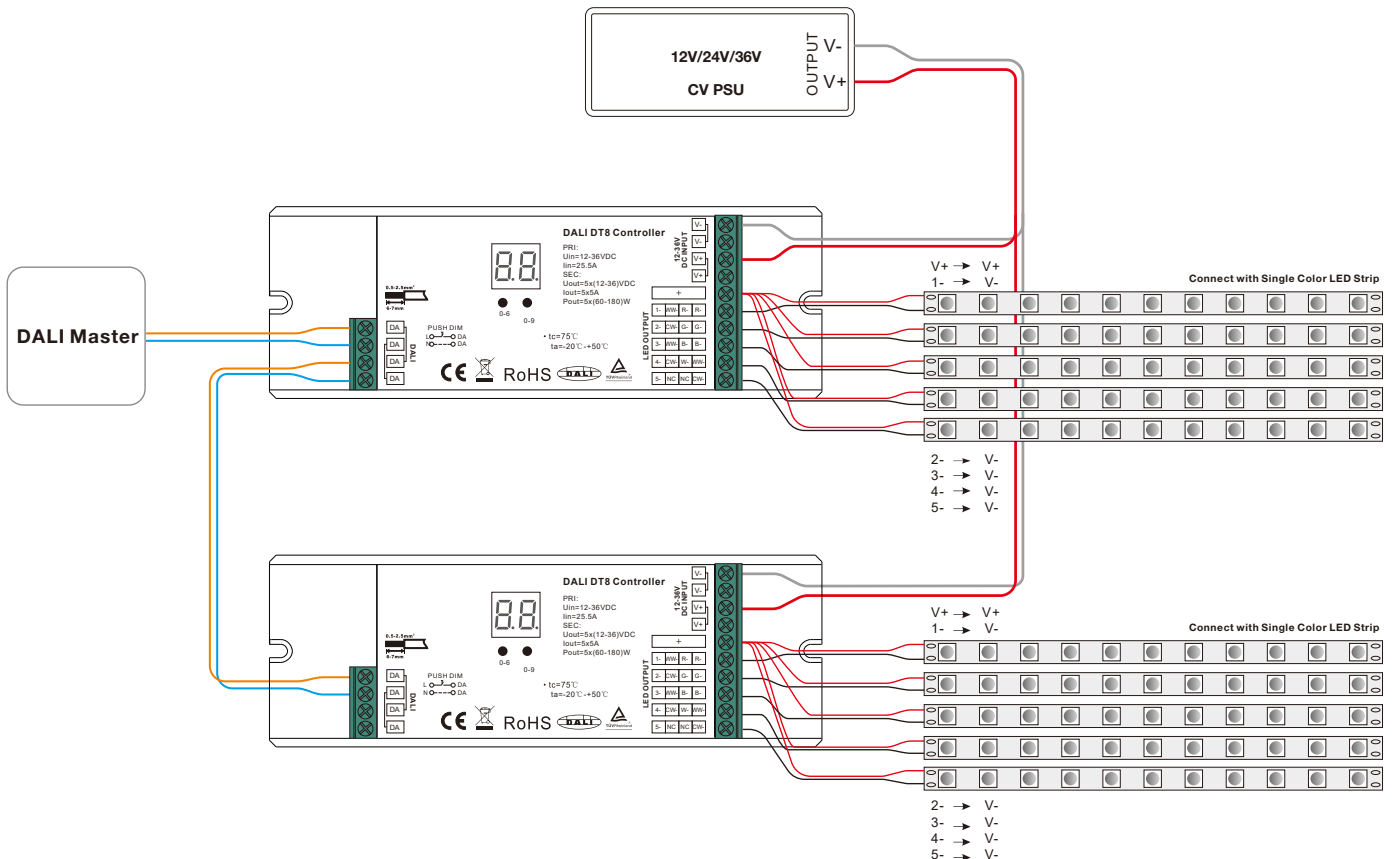
## 1.7 When single address RGBWAF device type is selected



Note

1) Please make sure that the DALI master controller supports RGBWAF colour type commands.

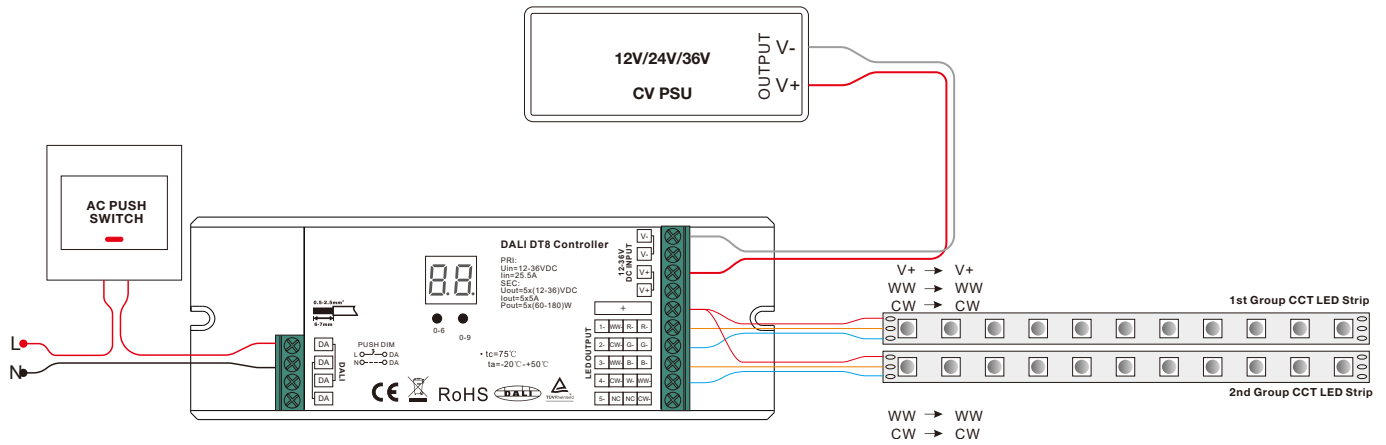
## 1.8 When single address DT6 device type is selected.



Note: The control gear will be discovered by DALI master as a DT6 device, 5 channels are controlled together.

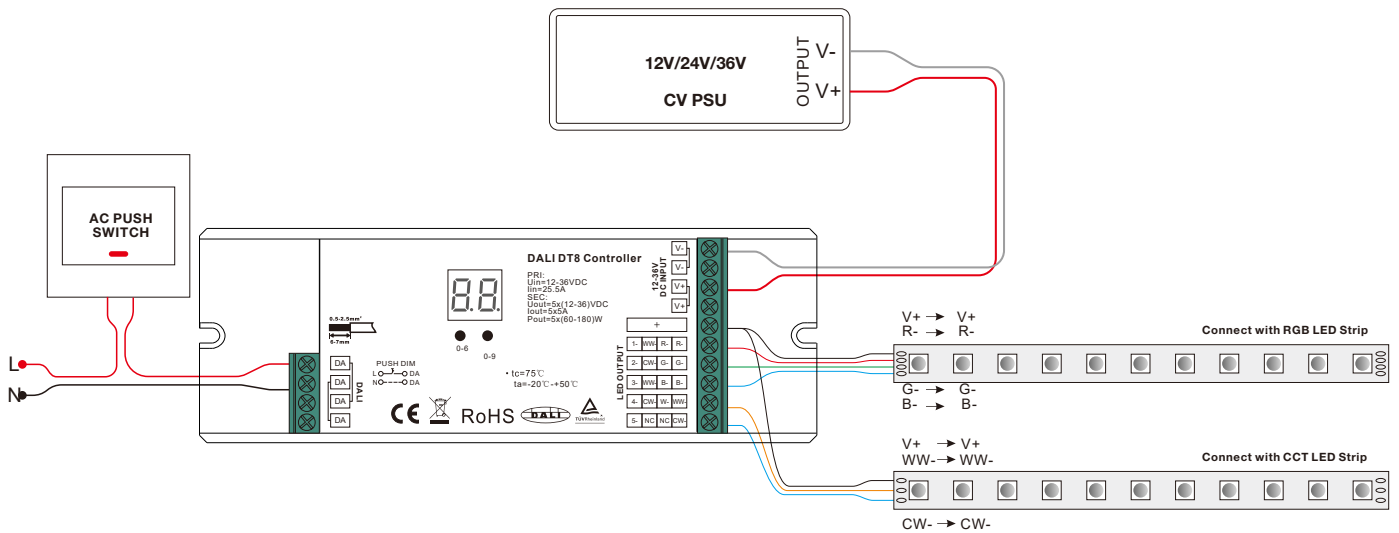
## 2. With Push Switch

### 2.1 When $T_c$ multi addresses Tc type is selected.



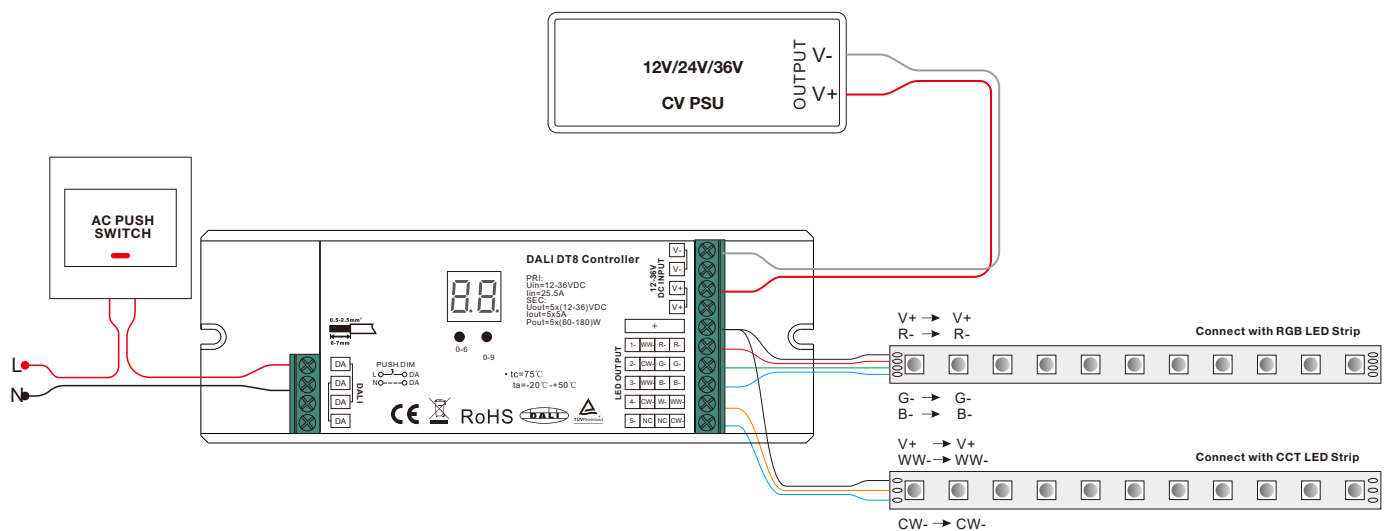
Note: Only the 1st group CCT LED can be controlled under this mode.

### 2.2 When $H_r$ multi addresses XY+Tc device type is selected.



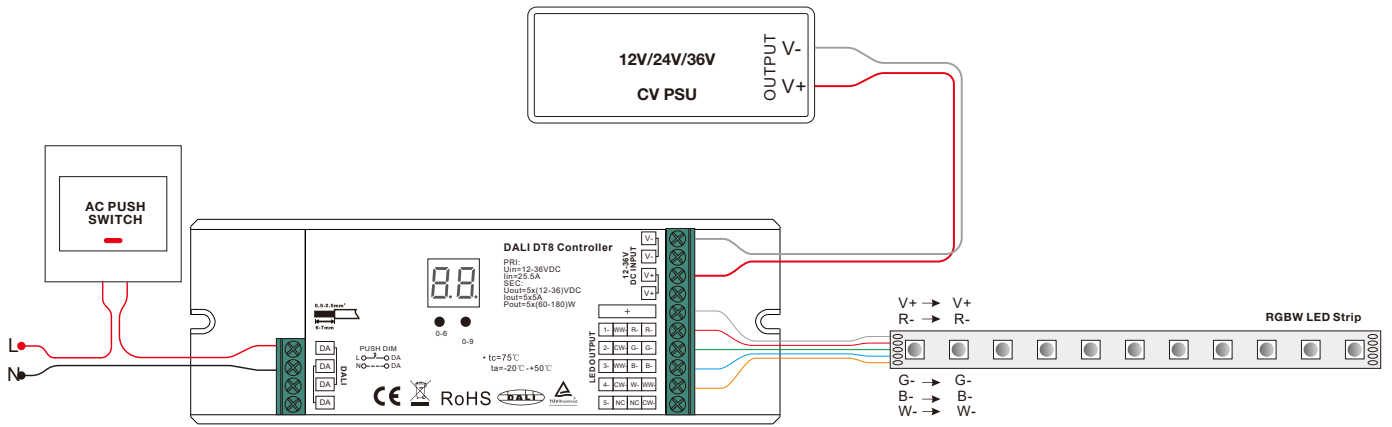
Note: Only the RGB LED can be controlled under this mode.

### 2.3 When $R_c$ multi addresses RGB+Tc type are selected.



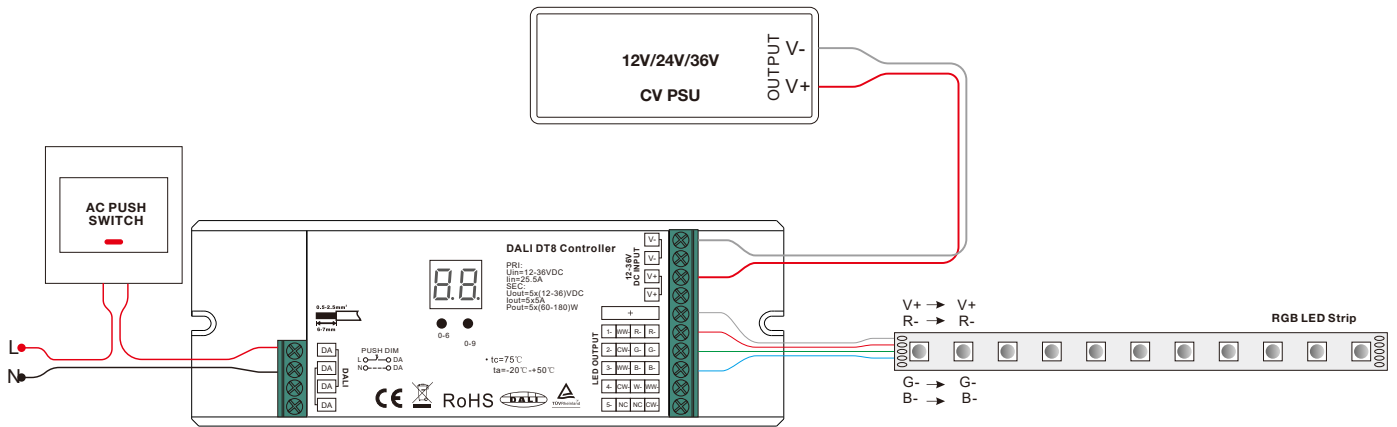
Note: Only the RGB LED can be controlled under this mode.

2.4 When **4.6** multi-addresses XY+Single Colour (DT6) device type is selected.

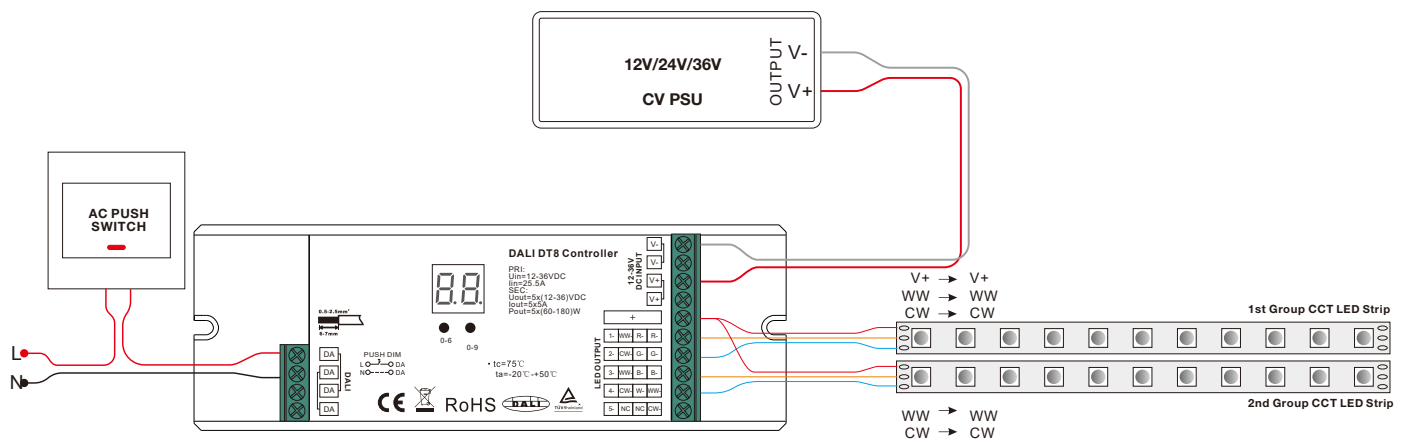


Note: Only the RGB LED can be controlled under this mode.

2.5 When **H4** single-address XY device type selected

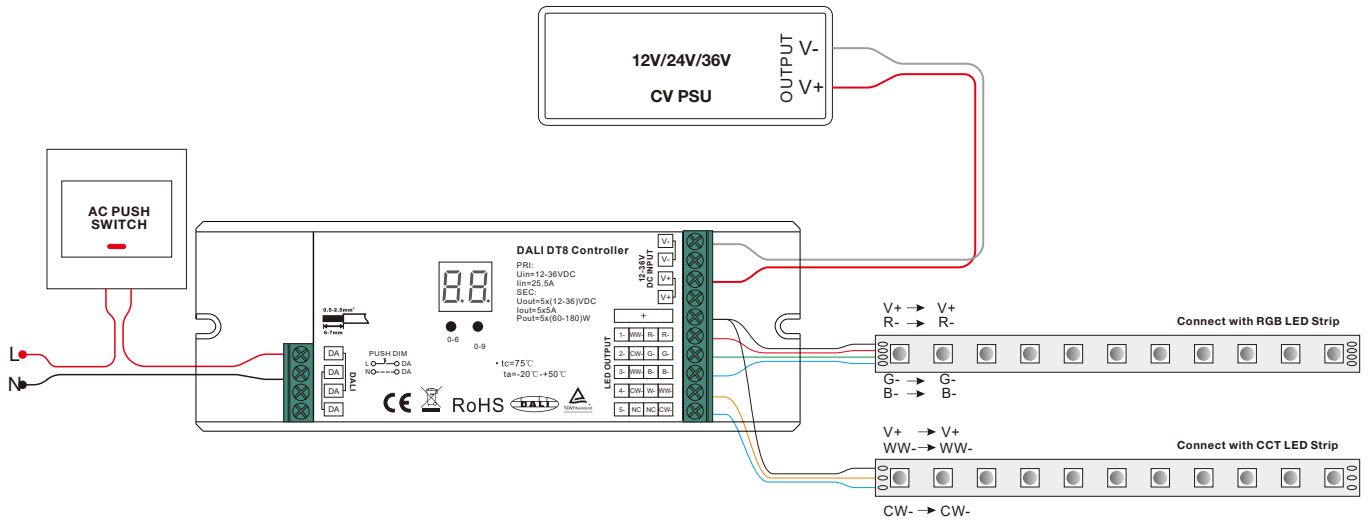


2.6 When **7C** single-address Tc device type is selected.



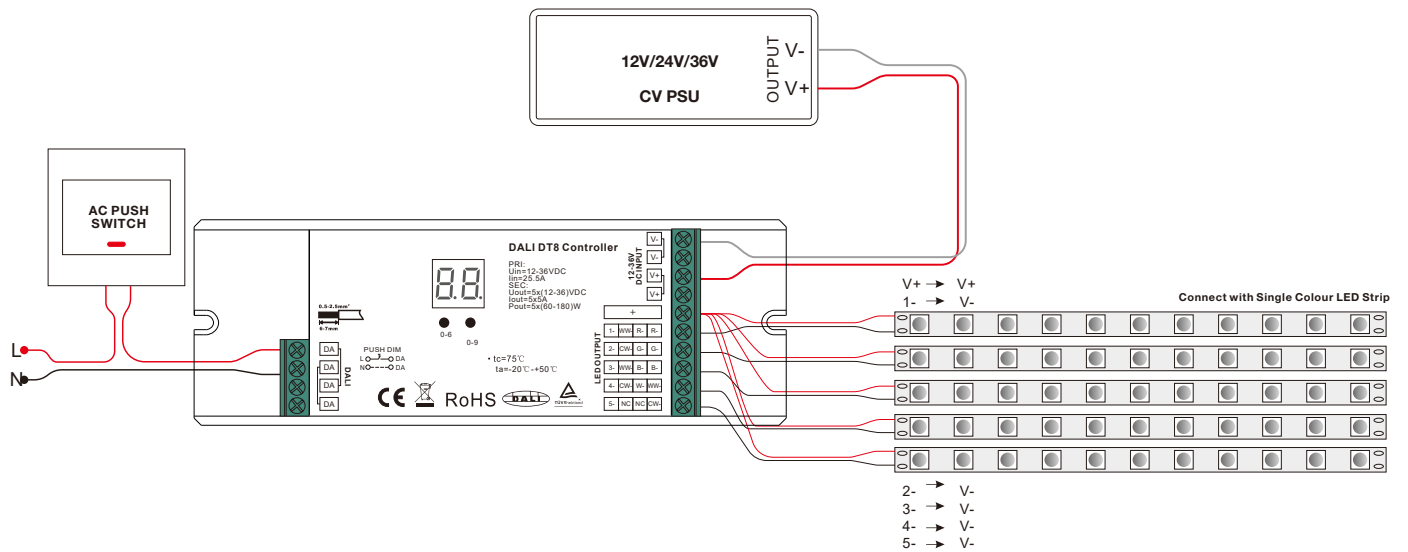
Note: 2 groups of CCT LED are controlled together under this mode.

## 2.7 When single-address RGBWAF device type is selected.



Note: Brightness for both RGB & CCT LEDs can be controlled, colour control only applicable to RGB LED under this mode.

## 2.8 When single-address DT6 device type is selected.



Note: All 5 channels are controlled together under this mode.

While every effort has been made to ensure the accuracy of all information provided Task Lighting can not be held responsible for any errors. Task Lighting also reserves the right to modify/delete product details without notice.