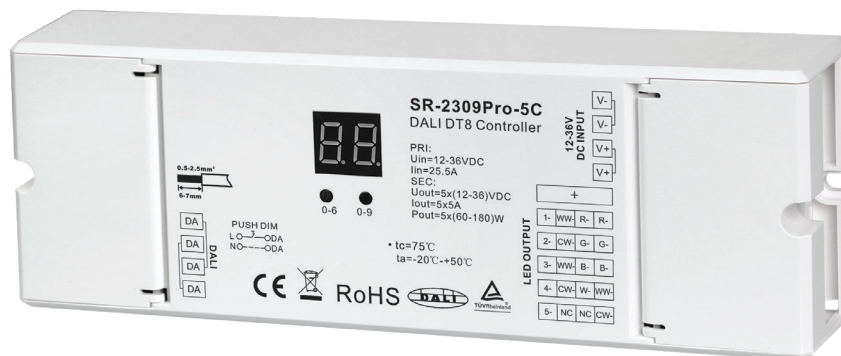


# LCDMSR-2309

## DALI DT8 LED Controller



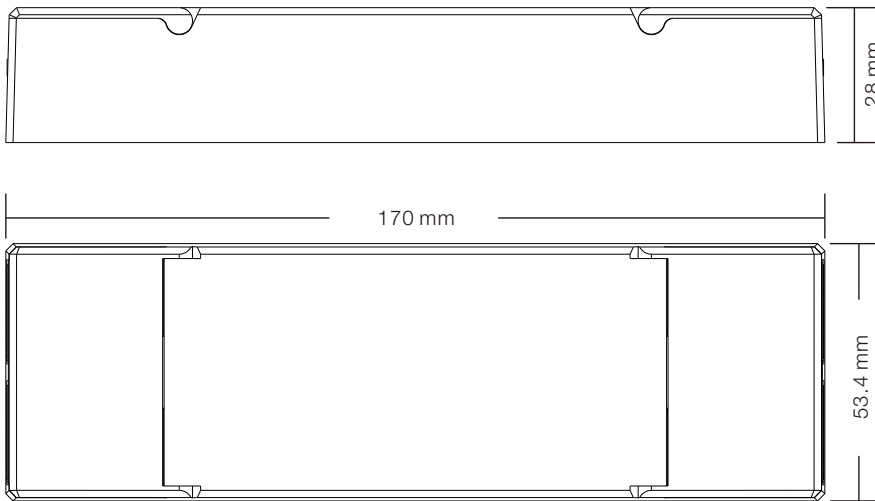
### Features

- 5 Channel constant voltage output
- Built-in DALI-2 interface, DALI DT8 device
- Configuration via DALI master USB interface
- Ability to control up to five PWM outputs via DALI device type 8
- Multi-addresses enabled DT8 control gear
- Multi-devices integrated in one control gear
- Multi-functional, 8 in 1: Tc, RGBWAF, XY, 2\*Tc, XY+Tc, RGB+Tc, XY+W (DT6), DT6
- DALI address can be programmed manually by the buttons on the controller and viewed on the display
- Set as different device types: single-address or multi-address types
- Single-address device types: Tc, RGBWAF, XY, DT6
- Multi-addresses device types: 2\*Tc, XY+Tc, RGB+Tc, XY+W (DT6)
- Colour control as defined in the DALI specification device type 8
- Supports DT8 device commands, compatible with universal DALI masters that support DT8 commands
- In compliance with IEC 62386-101:2014, IEC 62386-102:2014, IEC 62386-207 Ed2, IEC 62386-209:2011
- Colour temperature and RGB colour control through push dim mode without DALI

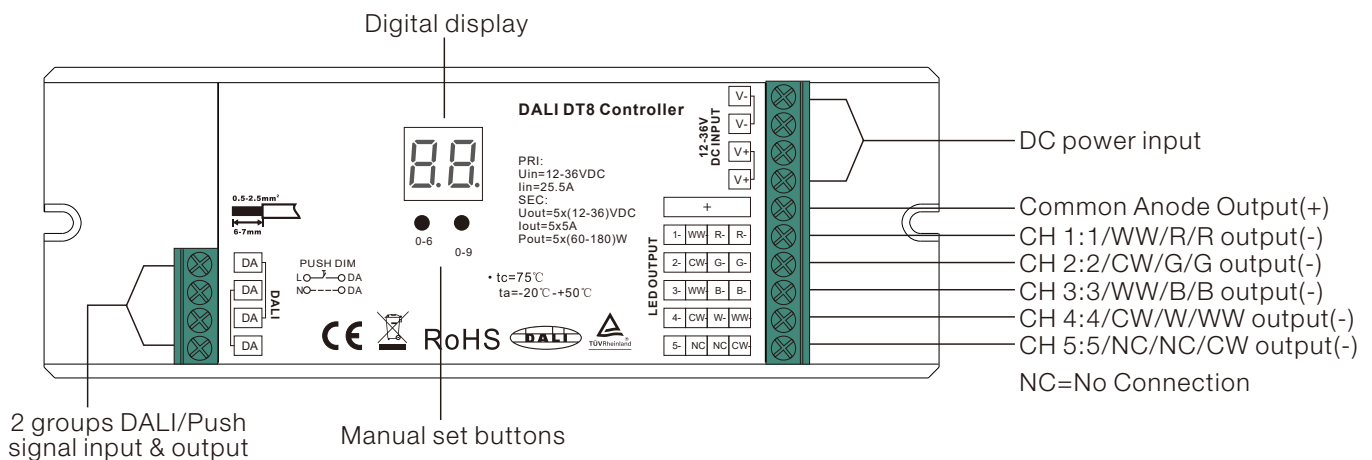
### Product Information

|                  |                  |
|------------------|------------------|
| Code             | LCDMSR-2309      |
| Input voltage    | 12-36VDC         |
| Output current   | 5Ax5Channel      |
| Output power     | 5x(60-180)W      |
| Remarks          | Constant Voltage |
| Size             | L170xW59xH29mm   |
| DALI consumption | 2mA              |
| Dimming range    | 0.1%-100%        |
| Working temp     | -20°-+50°        |
| Warranty         | 5 years          |

## Dimensions



## Function Introduction



## Operation

### 1. Select DALI Device Type

- 1.1. Press and hold down both buttons until digital display flashes, then release the button.
- 1.2. Keep clicking the 2nd button, you will get the 8 device types one by one as follows.



**T.C** means Tc color type devices integrated in one control gear, which can control 2 groups of tunable white LED separately using 2 DALI addresses under this mode.

**H.C** means XY & Tc colour type devices integrated in one control gear, which can control RGB & CCT LED separately using 2 DALI addresses under this mode.

**r.E** means RGBWAF & Tc colour type devices integrated in one control gear, which can control RGB & CCT LED separately using 2 DALI addresses under this mode.

**H6** means XY & DT6 type devices integrated in one control gear, which can control RGB & W LED separately using 2 DALI addresses under this mode.

**H4** means XY coordinate colour type, which can control RGB LED using 1 DALI address under this mode.

**Tc** means Tc colour type, which can control tunable white LED using 1 DALI address under this mode.

**r.G** means RGBWAF colour type, the device can control RGB+CCT LED using 1 DALI address under this mode.