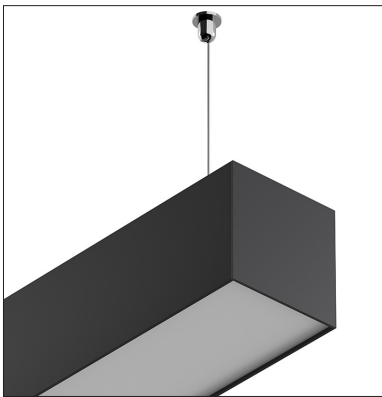


# LEDCHAN920

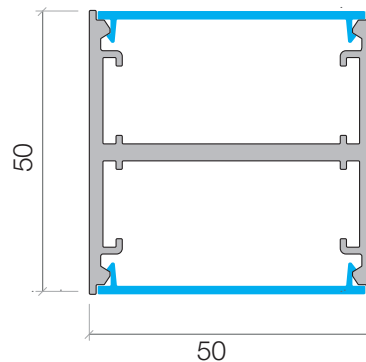
Direct/In-Direct Suspended Profile



## Features

- W50mm x H50mm
- Suitable with LED strips up to 20W/m or 30W/m direct only
- Spot free even illumination with appropriate strips
- Max 4m or cut to size
- 6063 Structural grade aluminium
- PMMA lens (type of acrylic) interior use
- Aluminium body provides heat sinking for LED strips
- Powder coated at time of order. Standard colours are Dulux Mannex White, Black or Silver Pearl. If a custom colour is required please contact us

## Dimensions



## Product Codes

Finish	Code
Raw Aluminium	LEDCHAN920OL (Opal lens)
Accessories	
Screwless end cap	LEDCHAN920ECSL
Suspension	LEDCHAN920SK5M

## Features

- General lighting with high power LED strips
- Office lighting
- Retail lighting
- Any work area

While every effort has been made to ensure the accuracy of all information provided Task Lighting can not be held responsible for any errors. Task Lighting also reserves the right to modify/delete product details without notice.