

# LCRMSD-RA

## 12-24VDC Signal Repeater

### Features

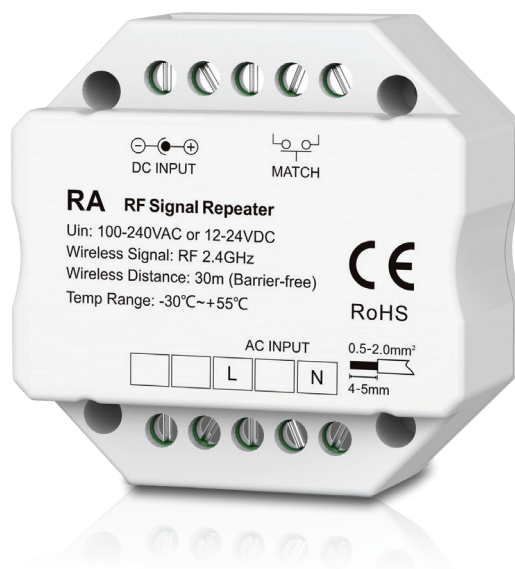
- Perfect for large areas to ensure stable communication between controllers and RF remotes
- Powered by AC100-240V or DC12-24VDC
- Compatible with most Task RF 2.4G remote controls
- Suitable in standard wall function boxes

### Applications

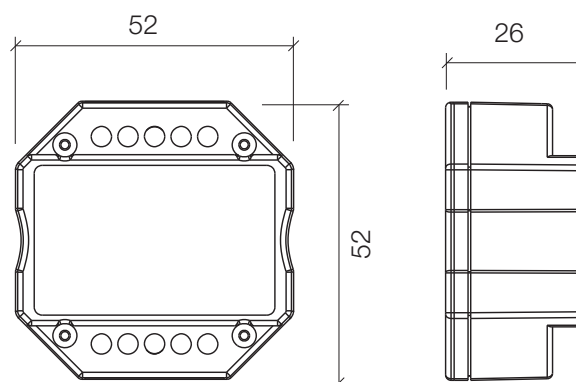
- All dimming uses for 12-48VDC LED strips
- Lounges, kitchens, bedroom, bathrooms

### Notes

- See website link for our range of remote options
- Remote batteries (not supplied)
- Remotes need to be synced to the controllers
- Controllers and remotes sold separately



### Dimensions



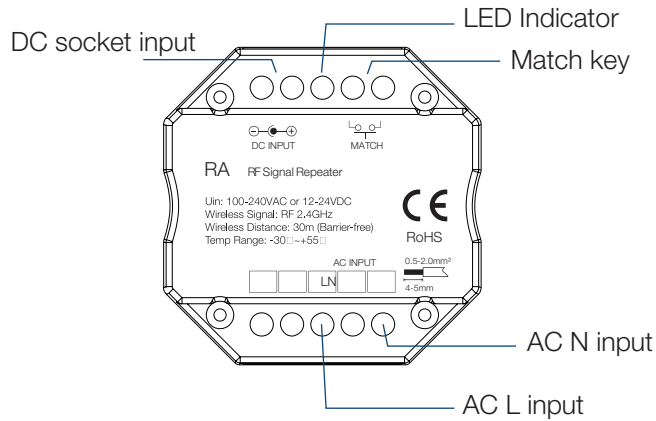
| Input and Output    |                          |
|---------------------|--------------------------|
| Input voltage       | AC100-240V<br>DC12-24V   |
| Power Consumption   | AC: ≤ 0.6W<br>DC: ≤ 0.4W |
| Input Signal        | RF 2.4GHz                |
| Output Signal       | RF 2.4GHz                |
| RF Control Distance | 30m                      |

| Environment           |                   |
|-----------------------|-------------------|
| Operation temperature | Ta: -30°C ~ +55°C |
| Max case temperature  | Tc: +65°C         |
| IP rating             | IP20              |

| Warranty and Protection |         |
|-------------------------|---------|
| Warranty                | 5 years |

| Safety and EMC        |  |
|-----------------------|--|
| EMC standard (EMC)    | EN 55015:2013<br>EN 61547:2009<br>EN 61000-3-2:2014<br>EN 61000-3-3:2013 |
| Safety standard (LVD) | EN 61347-2-11:2002<br>EN 61347-1:2015<br>EN 62493:2015                   |
| Certification         | CE, EMC, LVD   |

## Mechanical Structures and Installations



### Matching to a RF remote

If you want to extend the remote control signal, please match the remote control with the RF signal repeater first.

**Match:**

Short press the match key, immediately press the on/pff key (single zone remote) or zone key (multiple zone remote) of the remote.

The LED indicator will flash fast a few times to show the match was successful.

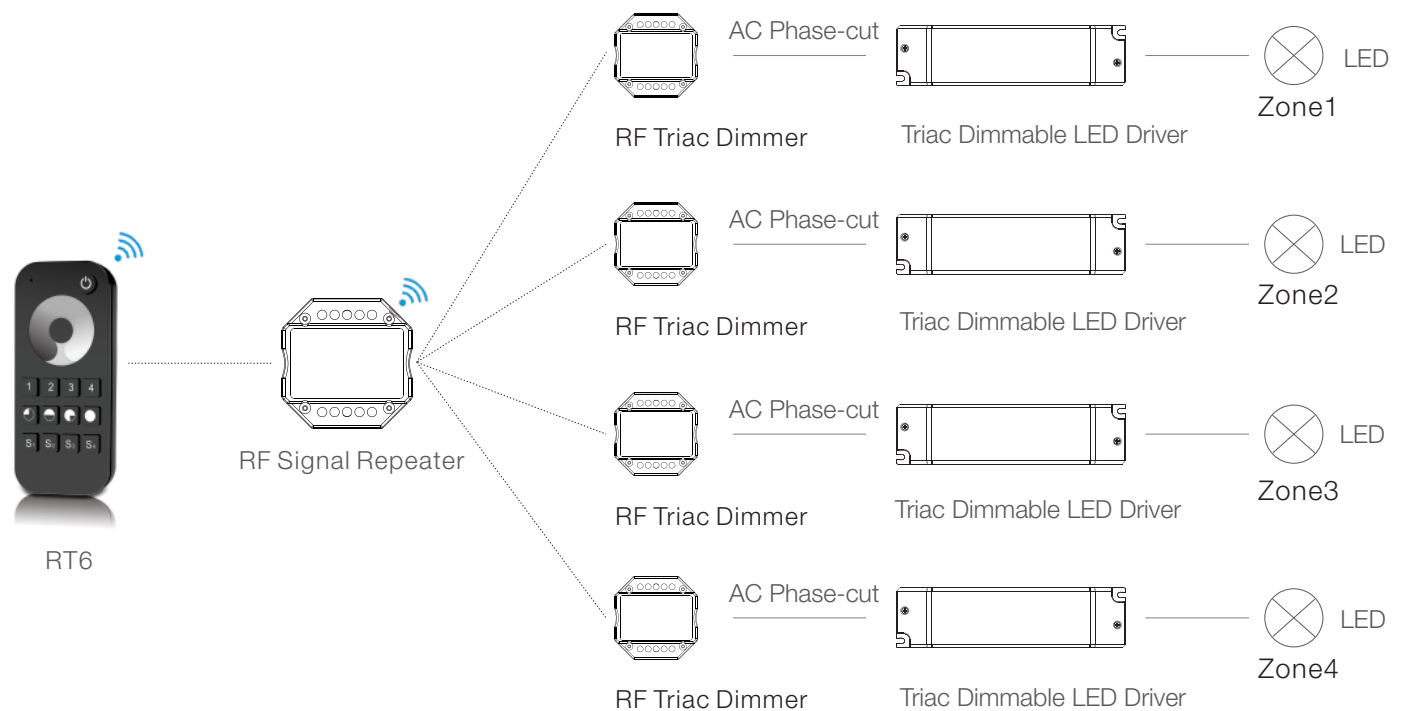
**Delete:**

Press and hold the match key for 5 seconds to delete all matches.

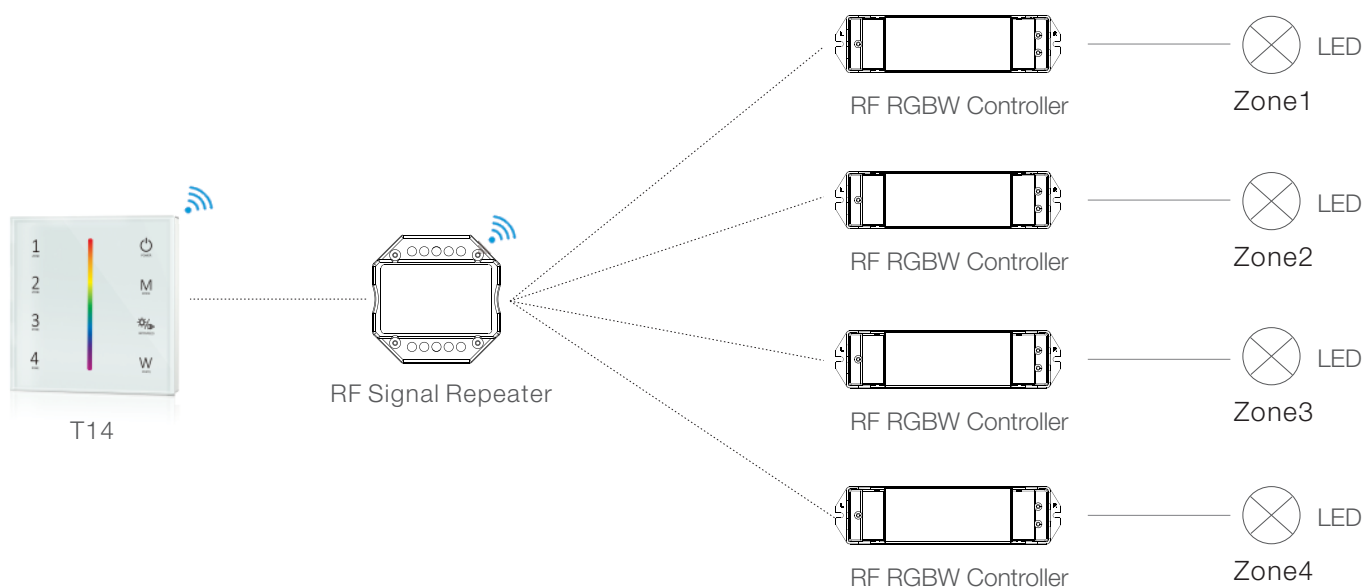
The LED indicator will flash fast a few times to show all matched RF remotes were deleted.

## Application Notes

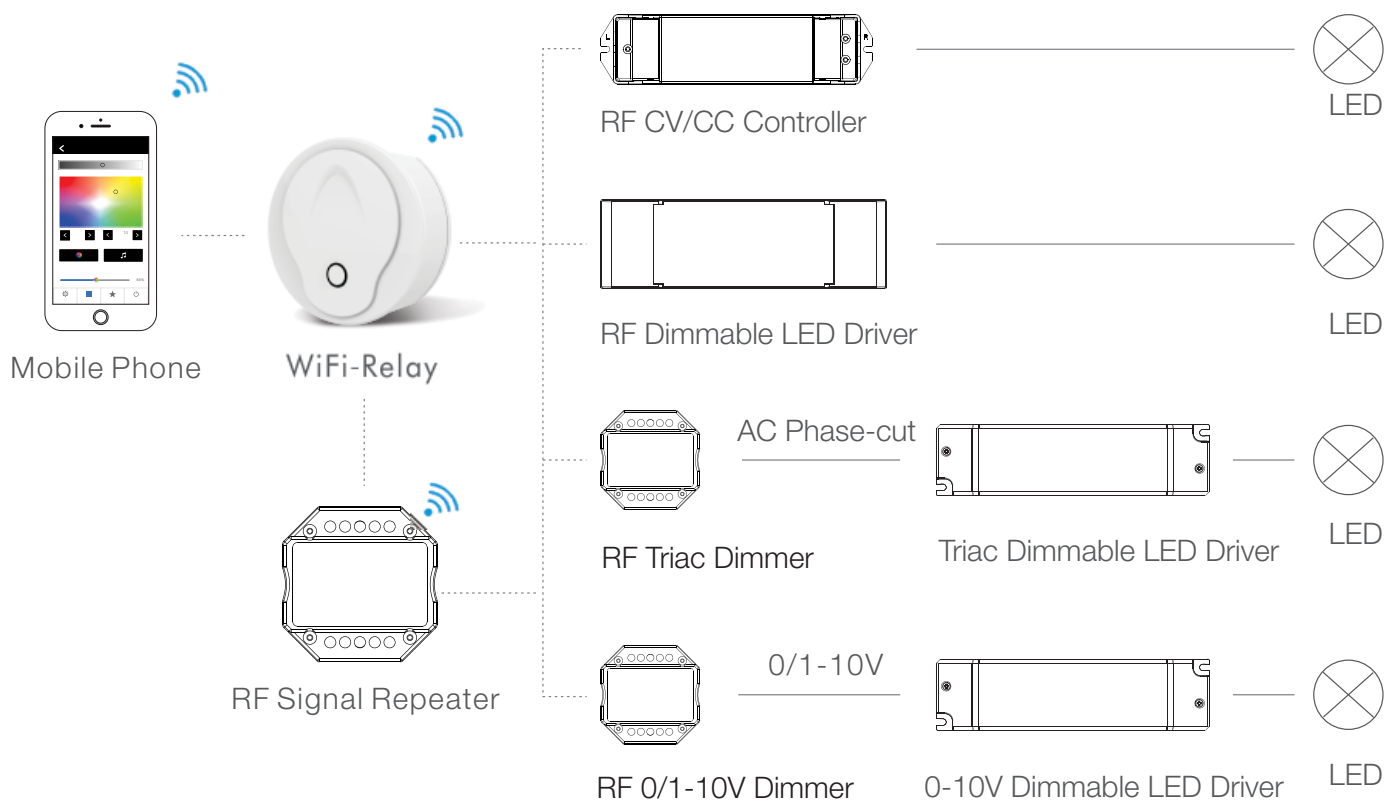
1. RF remote & RF repeater application example.



2. RF remote panel & RF repeater application example.



3. WIFI-RF converter & RF repeater application example.



While every effort has been made to ensure the accuracy of all information provided Task Lighting can not be held responsible for any errors. Task Lighting also reserves the right to modify/delete product details without notice.