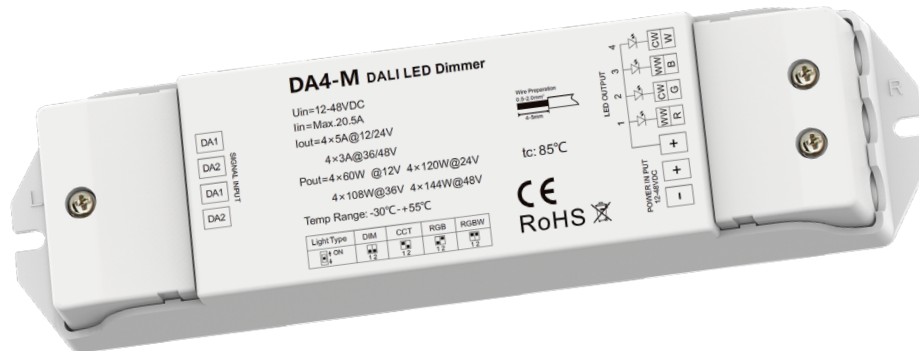


LCDMSD-DA4-M

4 Channel 12-48VDC DALI DT8 Controller



Features

- Constant Voltage DALI LED Dimmer 5 Amp x 4 Channel
- DALI-2 certified in accordance with DALI standard protocol
- DT6 dimming with single colour & DT8 dimming with RGB/RGBW/Dual White
- DALI address automatically assigns by the DALI master
- PWM Digital Dimming, standard DALI Logarithmic dimming curve
- Over-heat / Over-load / Short circuit protection

Technical Parameters

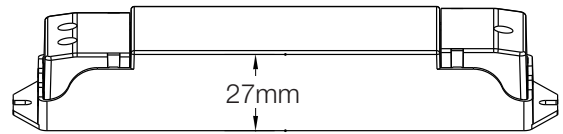
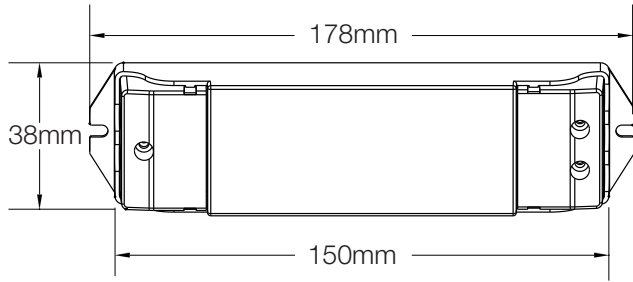
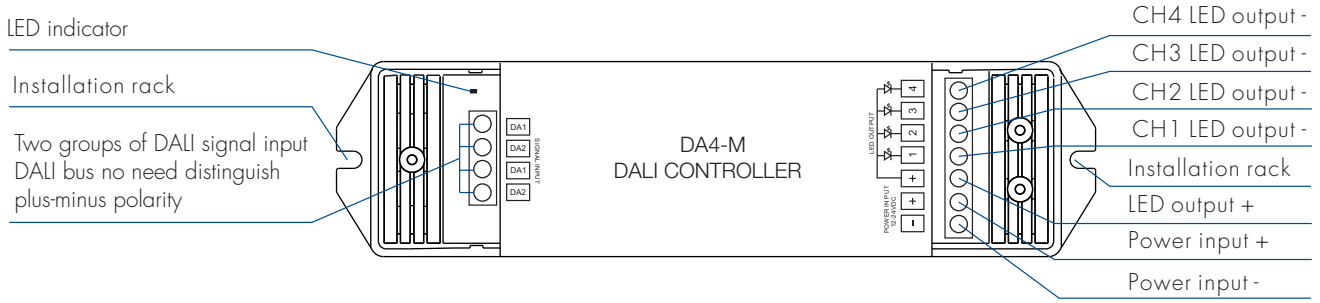
Input and Output	
Input voltage	12-48VDC
Input current	20.5 Amps
Output voltage	12-48VDC
Output current	5A x 4CH 12-24VDC 3A X 4CH 48VDC
Output power	4 x (60-120W) 12-24VDC 4 x (144W) 48VDC
Output type	Constant voltage

Environment	
Operation temperature	Ta: -30°C~+55°C
Case temperature (max)	Tc: +85°C
IP rating	IP20

Dimming Data	
Input signal	DALI
Dimming range	0-100%
Dimming curve	Logarithmic
PWM frequency	2000Hz (default)

Warranty and Protection	
Warranty	5 Years
Protection	Reverse polarity Over-heat Over-load Short circuit

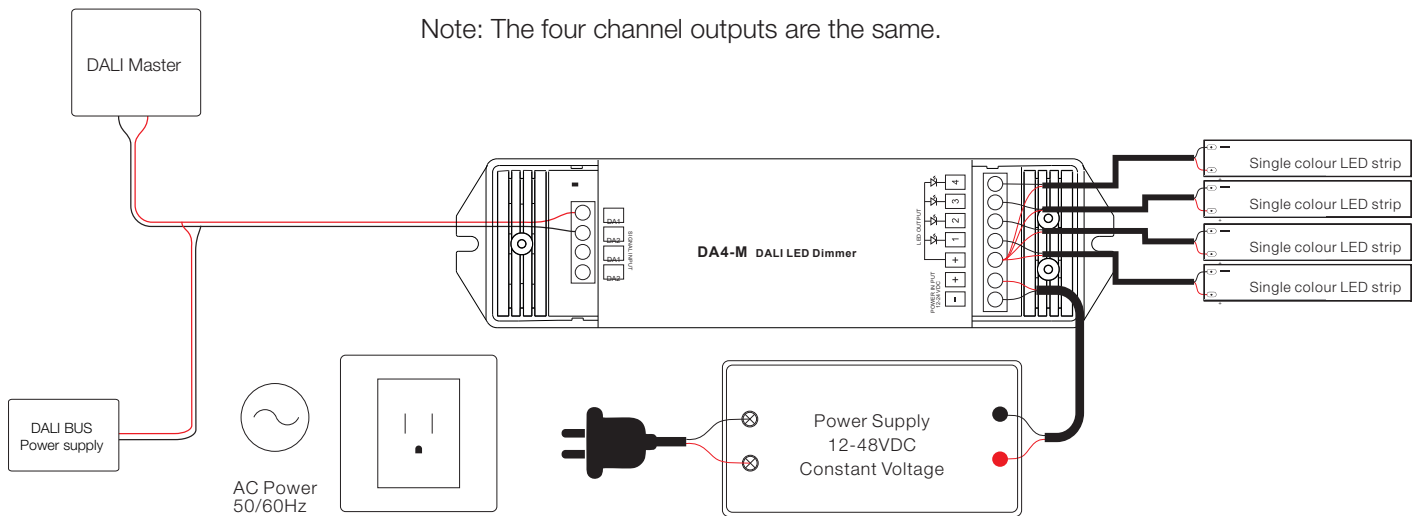
Mechanical Structures and Installations



Wiring Diagram

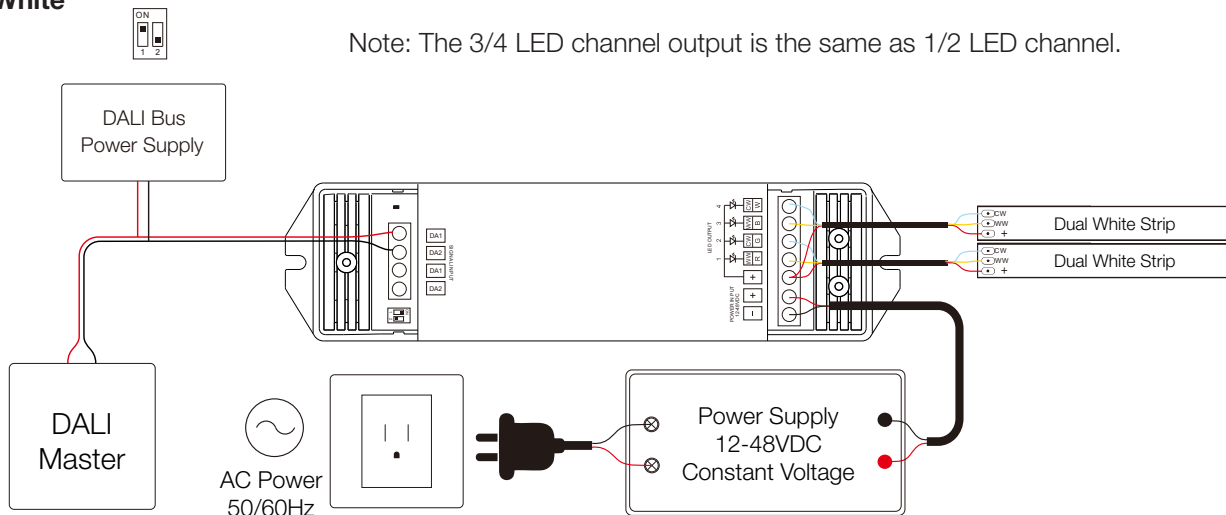
Single Colour

Note: The four channel outputs are the same.

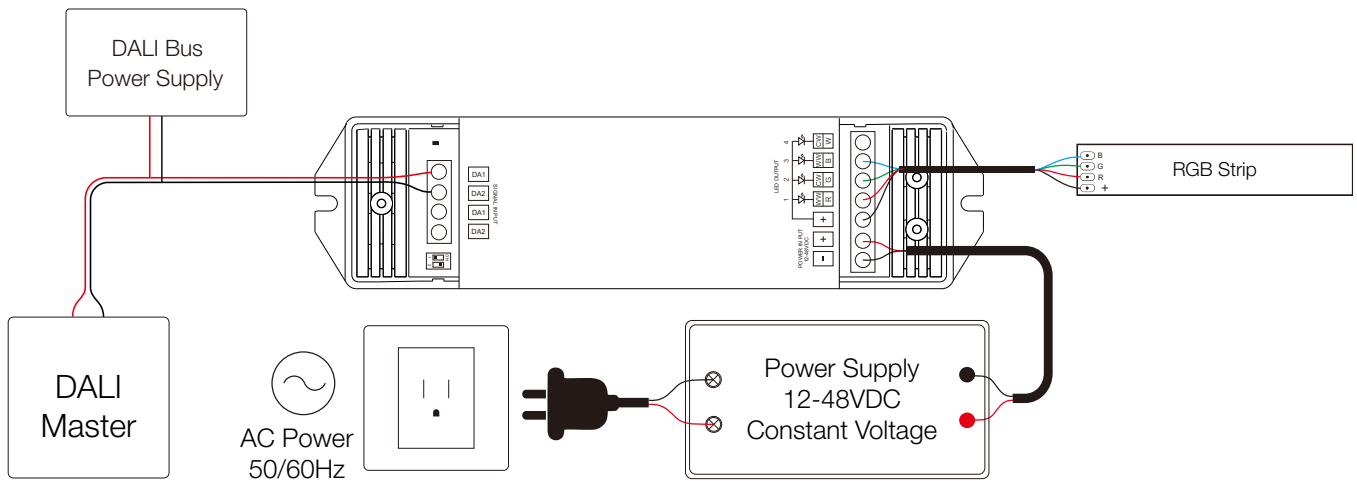


Dual White

Note: The 3/4 LED channel output is the same as 1/2 LED channel.

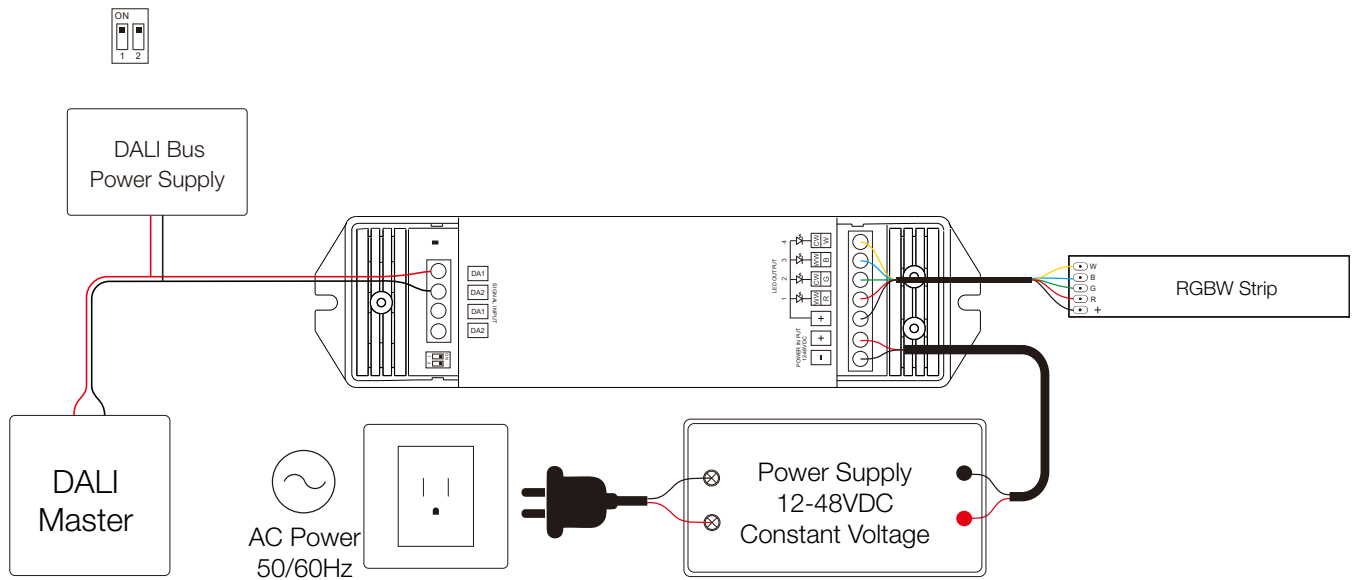


RGB



Note: The 4th LED channel has no output.

RGBW



This product is designed with 1 DALI address input and 4 channel outputs, DALI address is assigned by the DALI Master controller automatically.

DALI Control

This product is designed with a 4 DALI address input and 4 channel output. A DALI address is assigned by the DALI Master controller automatically, please refer to the user manual of compatible DALI Masters for specific operations.

Safety & Warnings

- DO NOT install with power applied to device
- DO NOT expose the device to moisture

While every effort has been made to ensure the accuracy of all information provided Task Lighting can not be held responsible for any errors. Task Lighting also reserves the right to modify/delete product details without notice.