

T13/14-4S Wall Controller

4 Zone DALI Series



LCDMXSD-T13-4SW



LCDMXSD-T13-4SB



LCDMXSD-T14-4SW



LCDMXSD-T14-4SB

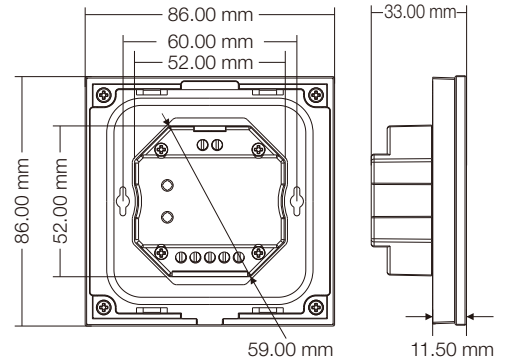
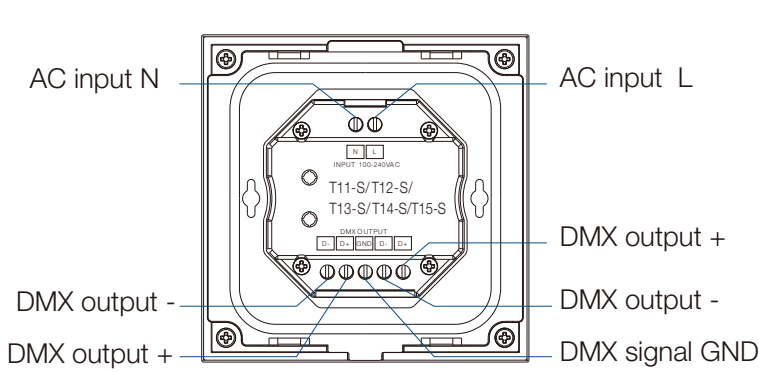
Features

- Touch panel 4 zone 1-4 colour DMX512 Master Panel/RF remote
- DMX signal output compatible with all DMX512 decoders
- When used as an RF remote it has the ability to control multiple RF 2.4G LED controllers
- Ultra sensitive high strength glass touch panel with touch colour slide
- Smooth and accurate colour adjustment by touching the colour slide
- Touch keys with LED indicator
- White & Black glass panel available

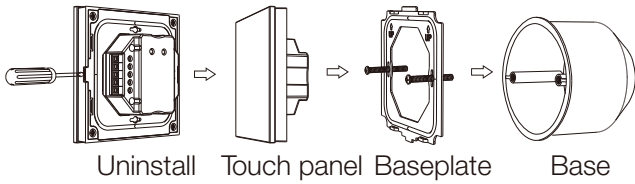
Technical Parameters

Input and Output		Dimming Data	
Input Voltage	100-240VAC	Input Signal	Touch key + RF 2.4GHz
Input current	Max 0.1A	RF Control Distance	10m (unobstructed)
Output Signal	DMX512, RF 2.4GHz	Dimming Level	256 levels
Environment		Dimming Range	0 -100%
Operation Temperature	Ta: -20°C-+50°C	Warranty	
Case Temperature (Max)	Tc: +65°C	Warranty	5 years
IP Rating	IP20		
Safety & EMC			
EMC standard	ETSI EN 301 489-1 V2.2.3 ETSI EN 301 489-17 V3.2.4		
Safety standard	EN 62368-1:2020+A11:2020		
Radio Equipment	ETSI EN 300 328 V2.2.2		
Certification	CE,EMC,RED		

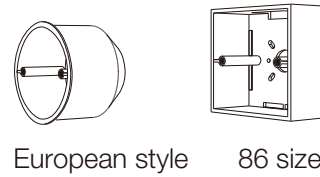
Mechanical Structures & Installation



Installation diagram:

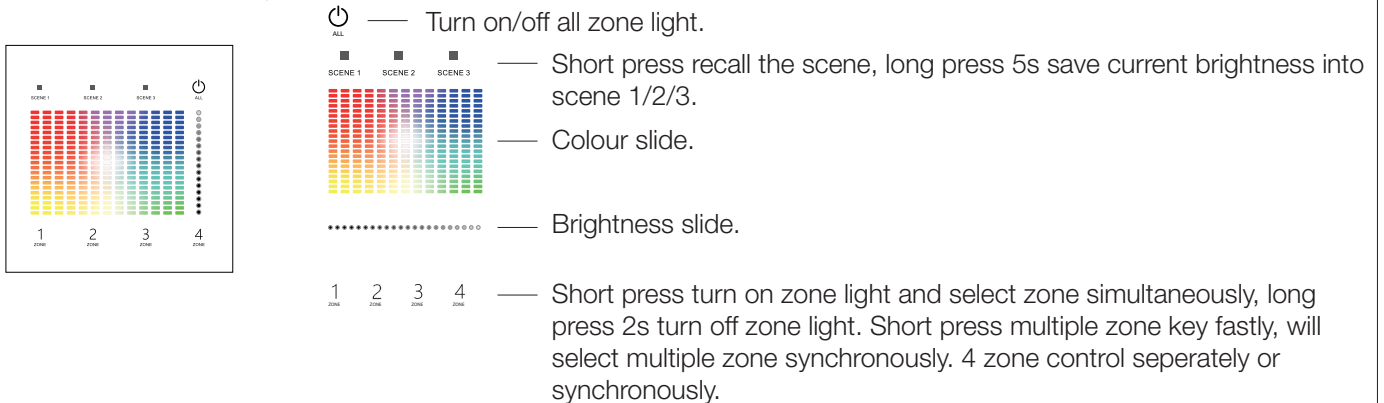


Typical base as below:

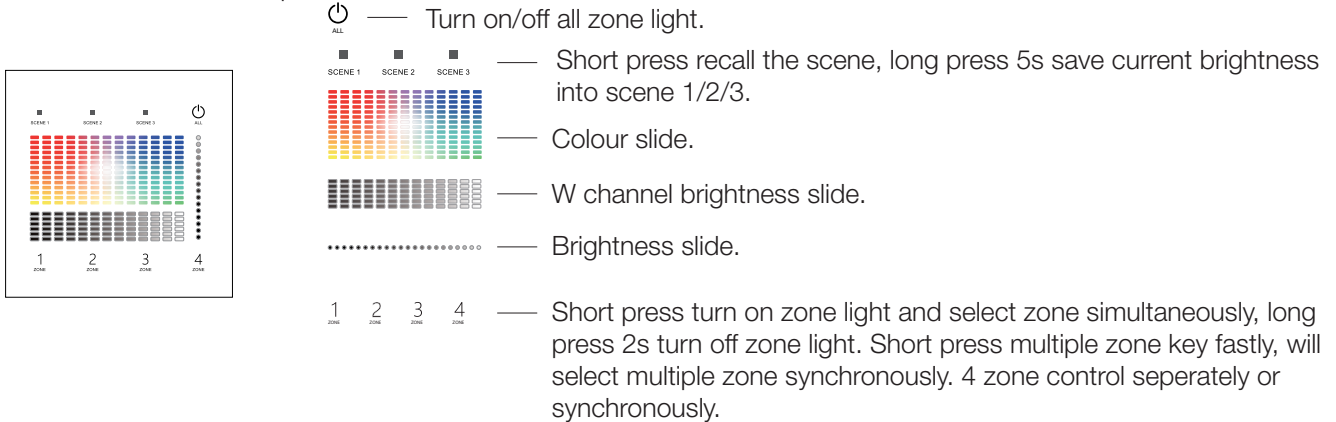


Key Functions

• TD13-4S 4 zone RGB panel



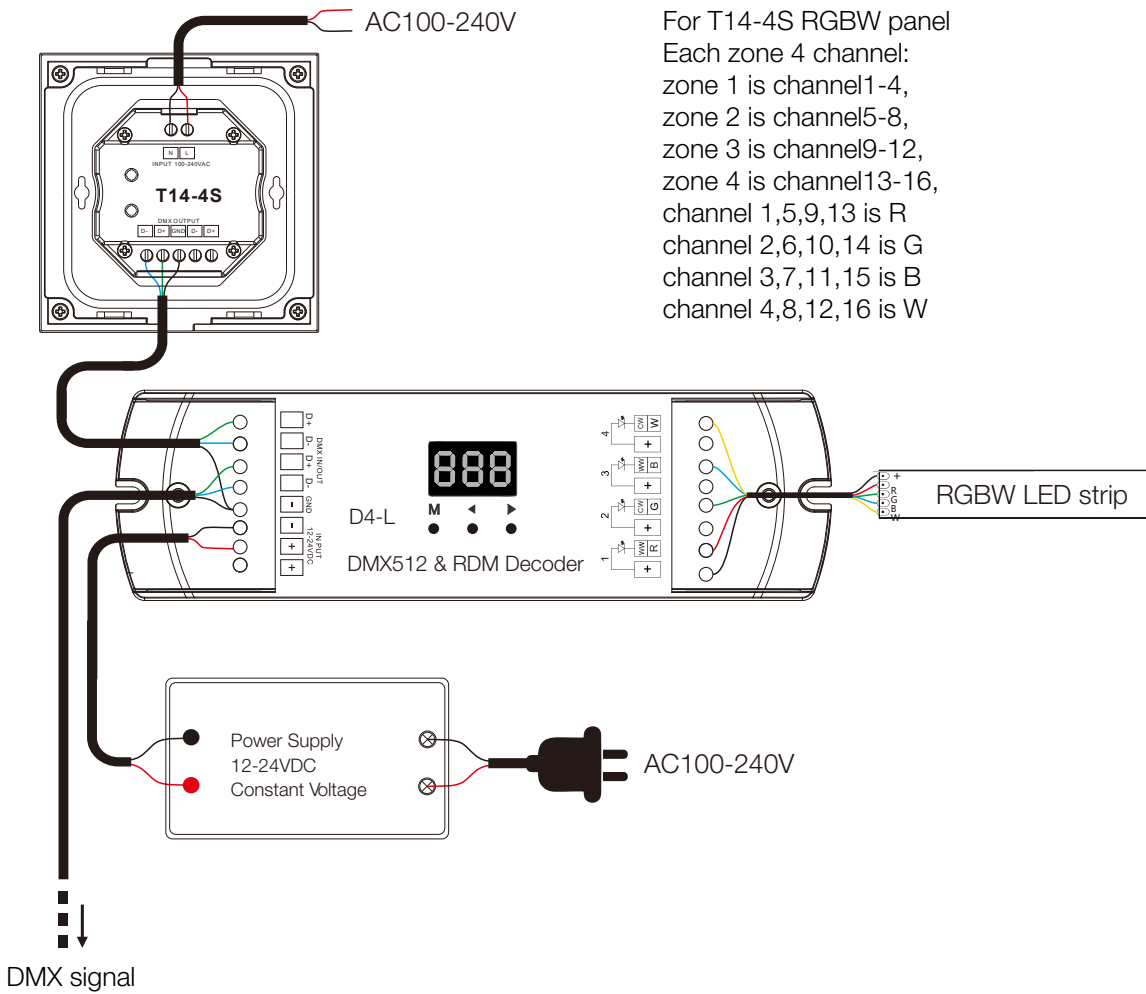
• TD14-4S 4 zone RGBW panel



Scene locking:

- Scene keys can be set to locked state, cancel long press for 5 seconds to save the scene function (default scene is not locked).
- Short press the panel on/off key, turn on the light first, then turn off the light, immediately long press the panel on/off key for 5 seconds, then immediately long press any one scene key for 5 seconds to set all scene keys to locked state.
- Short press the panel on/off key, turn on the light first, then turn off the light, immediately long press the panel on/off key for 5 seconds, then immediately long press any one scene key for 10 seconds to restore all scene keys to unlocked state.

Wiring Diagram of the Touch Panel working as the DMX512 Master



For T14-4S RGBW panel
Each zone 4 channel:
zone 1 is channel1-4,
zone 2 is channel5-8,
zone 3 is channel9-12,
zone 4 is channel13-16,
channel 1,5,9,13 is R
channel 2,6,10,14 is G
channel 3,7,11,15 is B
channel 4,8,12,16 is W

Touch panel to work as DMX512 Master

After connecting the DMX decoders, set the DMX decoders address as below:

Model No.	T11-4S	T12-4S		T13-4S			T14-4S				T15-4S				
		WW	CW	R	G	B	R	G	B	W	R	G	B	WW	CW
Zone 1 DMX decoder's address	1	1	2	1	2	3	1	2	3	4	1	2	3	4	5
Zone 2 DMX decoder's address	2	3	4	4	5	6	5	6	7	8	6	7	8	9	10
Zone 3 DMX decoder's address	3	5	6	7	8	9	9	10	11	12	11	12	13	14	15
Zone 4 DMX decoder's address	4	7	8	11	12	13	13	14	15	16	16	17	18	19	20

Touch panel DMX512 Master matching a RF remote

Touch panel 4 zone DMX512 master can also match with 4 zone RF remote (Optional).
The end user can choose from the options below to match/delete:

Use On/Off key

Match:

Turn on light, turn off, immediately press the On/Off key of the panel for 5s, then press any zone key of the RF remote within 5s. The LED indicator will fast flash 3 times which means the match was successful.

Delete:

Turn on the light, turn off, immediately press the On/Off key of the panel for 10s to delete all matches, The LED indicator will fast flash 6 times which means all matched remotes were deleted.

Use Power Restart

Match:

Switch off the power of the panel, then switch on power, repeat again. Immediately short press zone key 3 times on the remote. The LED indicator will fast flash 3 times means match is successful.

Delete:

Switch off the power of the panel, then switch on power, repeat again. Immediately short press zone key 5 times on the remote. The LED indicator fast flash 6 times means all matched remotes were deleted.

Touch Panel working as a RF Remote

The 1 Zone touch panel can match with a RF controller for the corresponding light type. The end user can choose a suitable match/delete way from the options below.

Use the controller's Match key

Match:

Short press the match key, immediately press the On/Off key on the touch panel. The LED indicator will flash fast a few times which means the match was successful.

Delete:

Press and hold the match key for 5s to delete all matches, the LED indicator will flash fast a few times which means all matched remotes were deleted.

Use Power Restart:

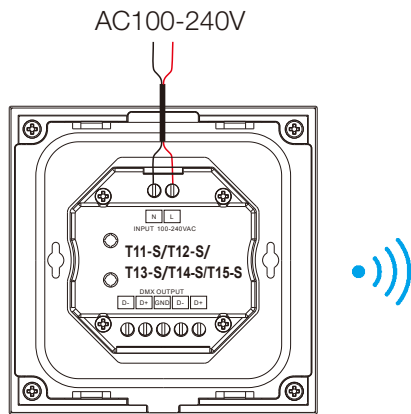
Match:

Switch off the power of the receiver, then switch on the power, repeat again. Immediately short press On/Off key 3 times on the touch panel. The light blinks 3 times to show the match was successful.

Delete:

Switch off the power of the receiver, then switch on power, repeat again. Immediately short press On/Off key 5 times on the touch panel. The light blinks 5 times to show all matched remotes were deleted.

Wiring Diagram of touch panel working as an RF Remote



RGB/RGBW dynamic mode list (only for T13-S / T14-S)

Malfunctions	Causes	Troubleshooting
No light	1. No power 2. Wrong connection or insecure	1. Check the power 2. Check the connection
Wrong colour	1. DMX decoder first address error. 2. Wrong connection of output wires.	1. Check the DMX first address 2. Reconnect output wires

Malfunctions analysis & troubleshooting

No.	Name	No.	Name
1	RGB jump	6	RGB fade in and out
2	RGB smooth	7	Red fade in and out
3	6 colour jump	8	Green fade in and out
4	6 colour smooth	9	Blue fade in and out
5	Yellow cyan purple smooth	10	White fade in and out

While every effort has been made to ensure the accuracy of all information provided Task Lighting can not be held responsible for any errors. Task Lighting also reserves the right to modify/delete product details without notice.