

TD-4S Wall Controller

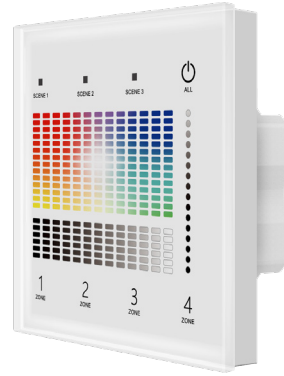
4 Zone DALI Series



LCDMSD-TD3-4SW



LCDMSD-TD3-4SB



LCDMSD-TD4-4SW



LCDMSD-TD4-4SB

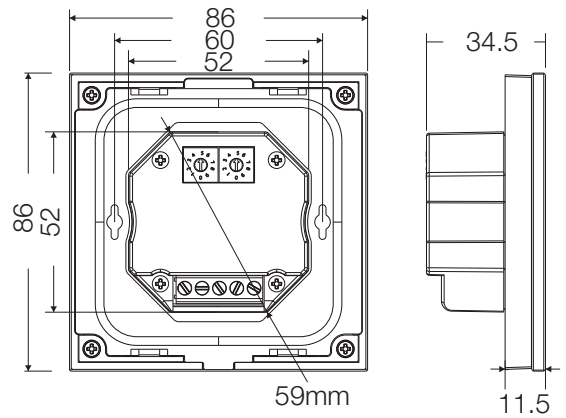
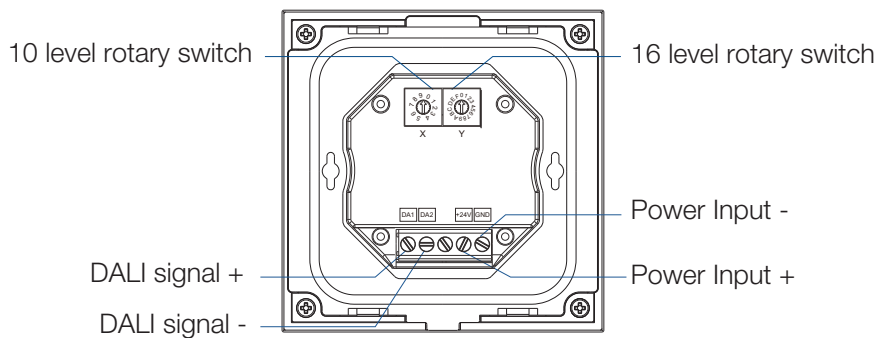
Features

- 4 Zone touch panel 1-4 colour DALI master
- 4 DALI addresses, Supports DT8-RGB or DT8-RGBW.
- DALI-2 certified
- Powered by DALI bus or 24VDC
- Ability to select DALI address by encoding switch, supports unicast, group and broadcast mode
- Matches with our RF 2.4G four zone remote controls
- Ultra sensitive high strength glass touch panel with touch colour slide
- Smooth and accurate colour adjustment by touching the colour slide
- Option to save 3 scenes.
- Touch keys with LED indicator
- White & Black glass panel

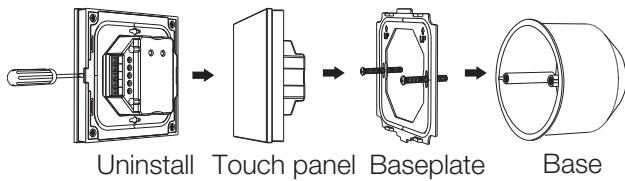
Technical Parameters

Input and Output		Dimming Data	
Power Supply	DALI bus/24VDC	Input Signal	Touch key + RF 2.4GHz
Static Current	17mA@16VDC, 2mA@24VDC	RF Control Distance	10m (unobstructed)
Output Signal	DALI	Dimming Level	256 levels
Environment		Dimming Range	0 -100%
Operation Temperature	Ta: -20°C+50°C	Warranty	
Case Temperature (Max)	Tc: +65°C	Warranty	5 years
IP Rating	IP20		
Safety & EMC			
EMC standard	ETSI EN 301 489-1 V2.2.3 ETSI EN 301 489-17 V3.2.4		
Safety standard	EN 62368-1:2020+A11:2020		
Radio Equipment	ETSI EN 300 328 V2.2.2		
Certification	CE,EMC,RED,DALI 2		

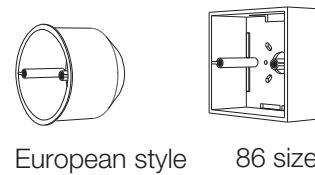
Mechanical Structures and Installations



Installation diagram

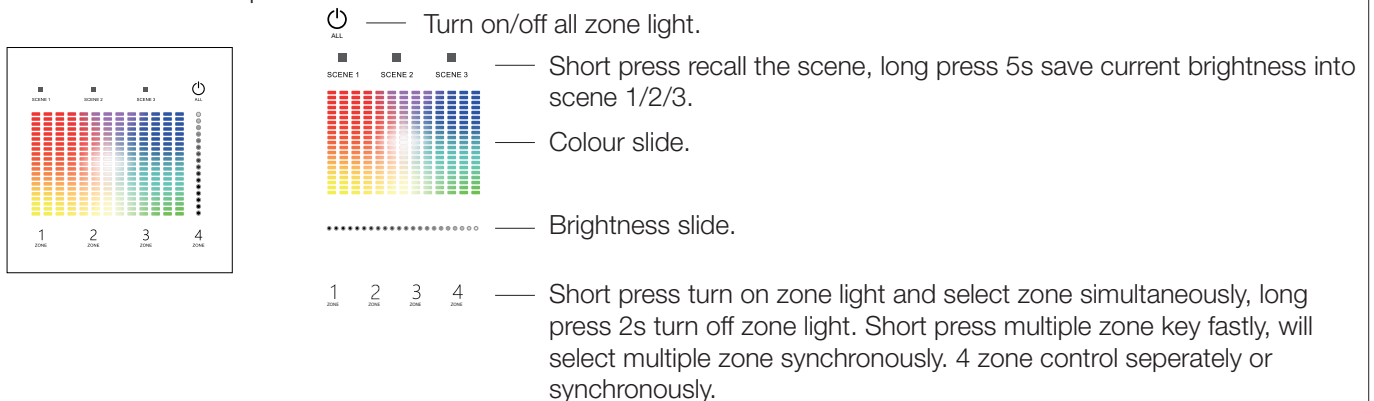


Typical base as below:

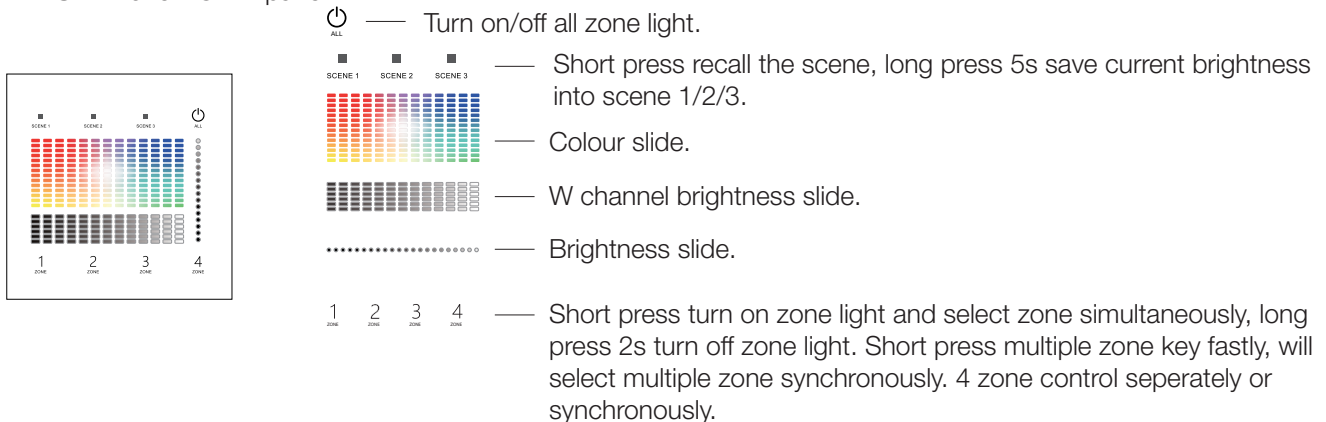


Key Functions

• TD3-4S 4 zone RGB panel



• TD4-4S 4 zone RGBW panel

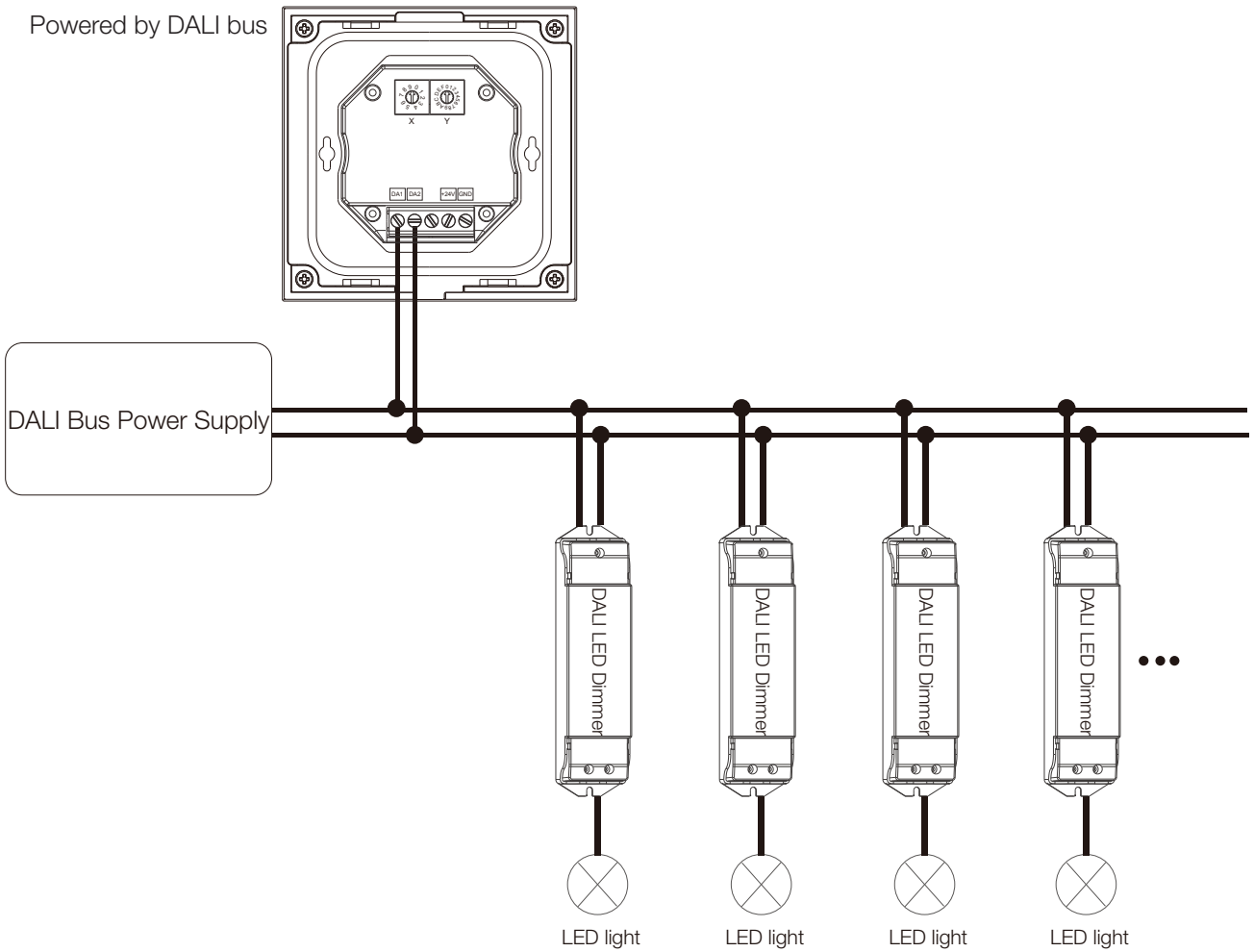


Scene locking:

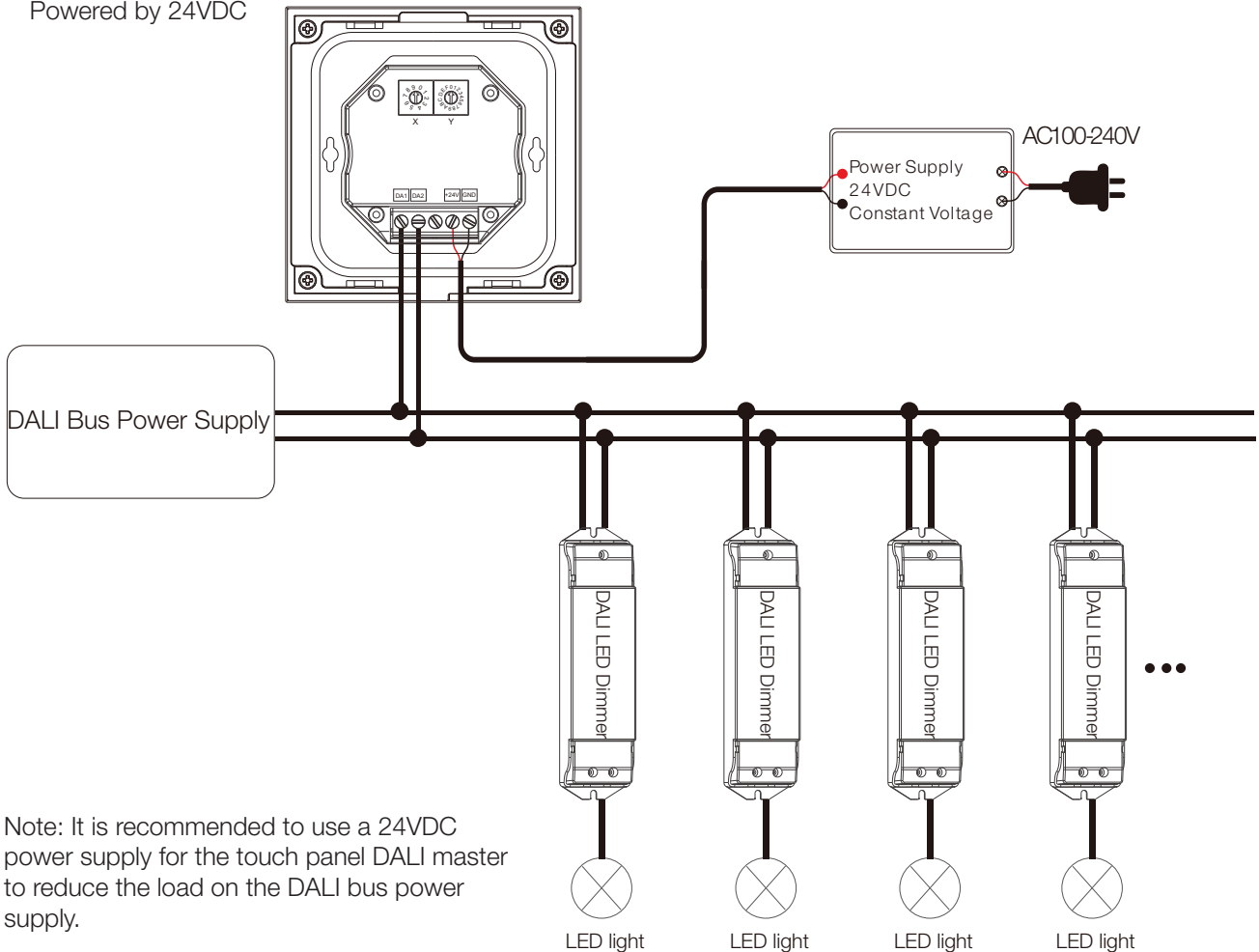
- Scene keys can be set to locked state, cancel long press for 5 seconds to save the scene function (default scene is not locked).
- Short press the panel on/off key, turn on the light first, then turn off the light, immediately long press the panel on/off key for 5 seconds, then immediately long press any one scene key for 5 seconds to set all scene keys to locked state.
- Short press the panel on/off key, turn on the light first, then turn off the light, immediately long press the panel on/off key for 5 seconds, then immediately long press any one scene key for 10 seconds to restore all scene keys to unlocked state.

Wiring Diagram

- Powered by DALI bus



- Powered by 24VDC



Note: It is recommended to use a 24VDC power supply for the touch panel DALI master to reduce the load on the DALI bus power supply.

Matching with RF Remote

Touch panel DALI master can also match with RF 2.4G four zone remote (Optional).
End user can choose the suitable match/delete ways. Two options are offered for selection:

Use On/Off key

Match:

Turn on light, turn off, immediately press the On/Off key of the panel for 5s, then press any zone key of the RF remote within 5s. The LED indicator will fast flash 3 times means match is successful.

Delete:

Turn on light, turn off, immediately press the On/Off key of the panel for 10s to delete all match, The LED indicator fast flash 6 times means all matched remotes were deleted.

Use Power Restart

Match:

Switch off the power of the panel, then switch on power, repeat again. Immediately short press zone key 3 times on the remote. The LED indicator will fast flash 3 times means match is successful.

Delete:

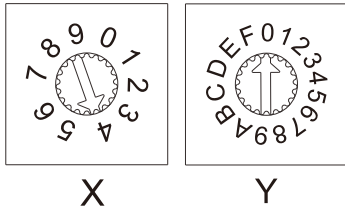
Switch off the power of the panel, then switch on power, repeat again. Immediately short press zone key 5 times on the remote. The LED indicator fast flash 6 times means all matched remotes were deleted.

DALI address setting

Address value = $X * 10 + Y$.

For example: $X = 5, Y = 4$, Address value = $5 * 10 + 4 = 54$.

Unicast mode



X is 0-6, Y is 0-9.

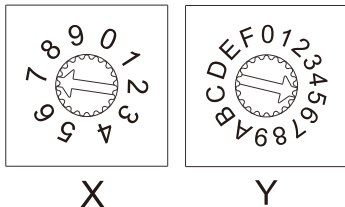
Address value 0-63 correspond to DALI unicast address 00-63.

For example:

Address value = 40, the unicast values of zone 1,2,3,4 are 40, 41, 42, 43.

Address value = 62, the unicast values of zone 1,2,3,4 are 62, 63, 0, 1.

Group mode



X is 7, Y is 0-F.

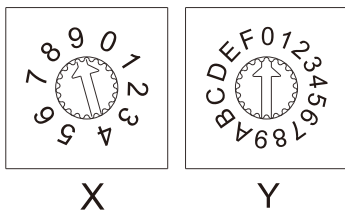
Address value 70-7F correspond to DALI group address 0-15.

For example:

Address value = 75, the group address value of zone 1,2,3,4 are 5, 6, 7, 8.

Address value = 7E, the group address value of zone 1,2,3,4 are 14, 15, 0, 1.

Broadcast mode



X is 9, Y is 0-F.

Address value 90 - 9F correspond to broadcast address.