

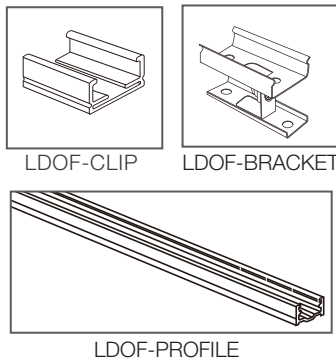
RGB



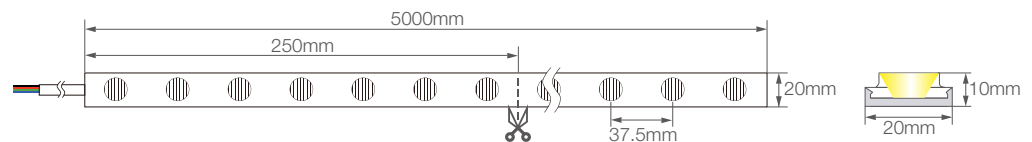
| | |
|--------------------|--|
| Code | LDOF28-RGB-19.2W |
| Wattage | 19.2W/m |
| Width | 20mm |
| Lumen output (RGB) | Total 678Lm/m 168 Lm/m R 432 Lm/m G 78 Lm/m B |
| MAXRUN | 5m |
| LEDs/m | 5050 28LEDs/m |
| Cut Length | 250mm (7 LEDs) |
| Voltage | 24 VDC |
| CRI (White) | / |
| CCT/Color | RGB R: 620-625nm G: 520-525nm B: 465-470nm |
| IP Rating | IP67 |
| Dimmable | Yes (PWM, DALI, 0/1-10V, Triac) |
| Operating temp. | -35°C ~ 70°C |
| Beam Angle | 30°, 60°, 20x45° |
| Lifespan | 50,000Hrs |

Note
OptiFlex is not backed with adhesive tape, if required please advise when requesting pricing.

Accessories



Cut points



While every effort has been made to ensure the accuracy of all information provided Task Lighting can not be held responsible for any errors. Task Lighting also reserves the right to modify/delete product details without notice.