

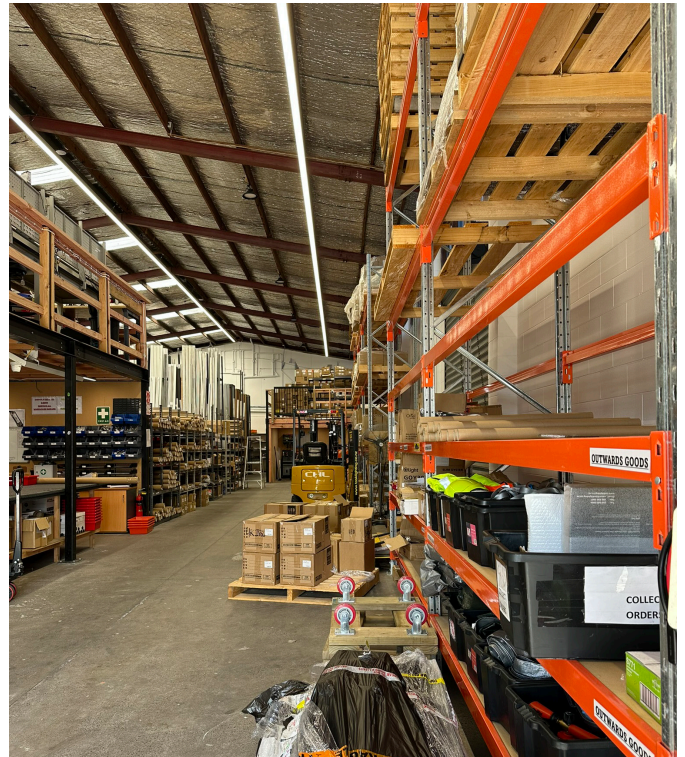


JOINERY SOLUTIONS



SUMMARY

OUR STORY	04-05
SURFACE MOUNT PROFILES	06-09
RECESSED MOUNT PROFILES	10-11
INTERIOR SMD LED STRIP	12-13
INTERIOR COB LED STRIP	14-15
EXTERIOR SMD LED STRIP	16-17
EXTERIOR COB LED STRIP	18-19
FREE CUT COB STRIP	20-21
TUNEABLE WHITE COB STRIP	22-23
DIM TO WARM SMD STRIP	24-25
NEON FLEX	26-27
MICRO NEON FLEX	28-29
POWER	30-31
CONTROL	32-35



OUR STORY

Welcome to Task Lighting, where design challenges meet creative lighting solutions. For over 30 years, we've worked alongside cabinetmakers, kitchen designers, shopfitters, and interior specialists across New Zealand, supplying high-quality LED lighting solutions that bring joinery to life. Since 1995, Task Lighting has been at the forefront of LED strip innovation—delivering not just light, but practical tools that help create functional, beautiful, and enduring results.

Lighting plays a critical role in modern joinery. It defines spaces, enhances materials, highlights craftsmanship, and shapes how people experience a room. When done well, it elevates the entire project. Our role is to make that process straightforward, reliable, and adaptable—no matter the scope or complexity. With warehouses in both Auckland and Christchurch, we are well positioned to support projects nationwide.

Our Auckland warehouse is where the majority of our custom work comes to life, allowing us to tailor solutions, modify products, and respond quickly when standard options don't quite fit the brief. This hands-on capability means we can adapt to real-world challenges on site and deliver solutions that integrate seamlessly into your joinery designs.

We are proudly solution focused. From concept through to installation, we work closely with our customers to navigate technical requirements, tight timelines, and evolving project needs. Whether it's specifying the right light output, colour temperature, profile, driver setup or developing a custom solution when something unexpected arises—our team is here to support you every step of the way.

KEY CONTACTS



Rob Ginns BBS AssocIES CertillumEng
Director | General Manager



Rian Duxfield GCertScTech TEchIES
Specification Sales



Shelby Johnston
Sales Support Manager

SALES SUPPORT TEAM



Evelyn King



Hannah Knight



Madison Maxwell-McGinn

SALES REPRESENTATIVES



Scarlett Henderson
South Island



Ryan Taylor GCertScTech TEchIES
North Island



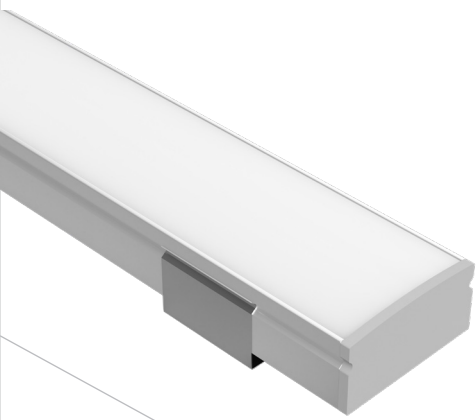
Rick Budler
Auckland

SURFACE MOUNT PROFILES

Our range of surface mounted aluminium profiles are designed to offer flexibility without compromise. Available in a variety of sizes, these profiles allow you to tailor your lighting solution to suit both functional and aesthetic requirements across kitchens, cabinetry, retail fit-outs, and architectural joinery. A selection of finishes ensures seamless integration with surrounding materials, while multiple diffuser options provide control over light output, softness, and visual comfort.

For shallow profiles, COB LED strip is typically the preferred choice. Its dot-free appearance delivers a clean, continuous line of light, making it ideal for installations where the light source is within direct eyesight. While high density SMD LED strips (even at 140 LEDs per metre) perform exceptionally well in many applications, they can exhibit a very slight dotting effect when viewed directly, something that is usually only noticeable in exposed installations.

End caps and mounting clips are available as complete packs for standard applications, or individually for custom projects, allowing flexibility across a wide range of installations.

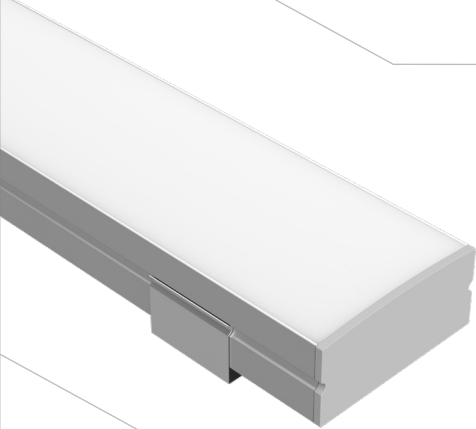
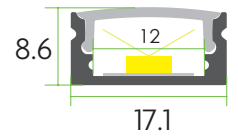


LEDCHAN110

Profile Finish



Diffuser Material

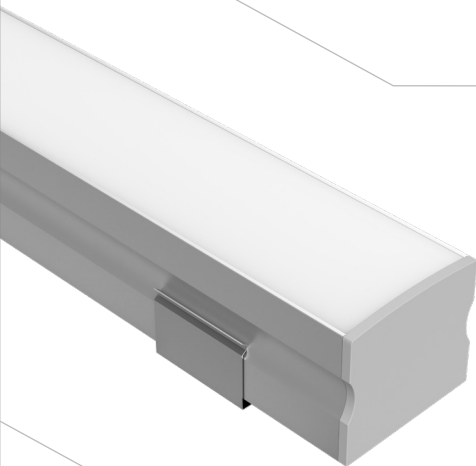
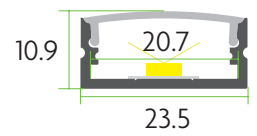


LEDCHAN240

Profile Finish



Diffuser Material

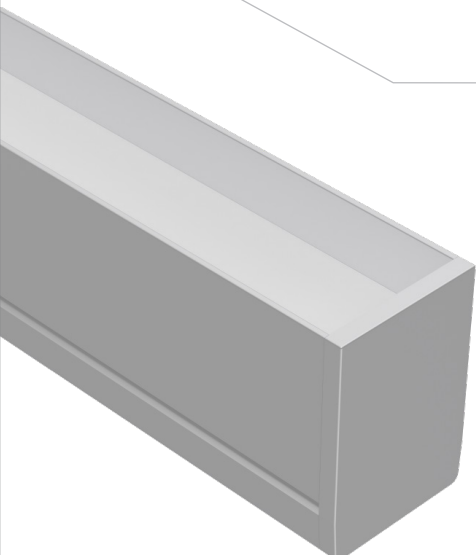
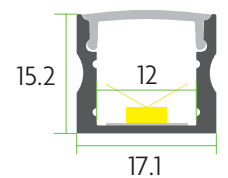


LEDCHAN130

Profile Finish



Diffuser Material

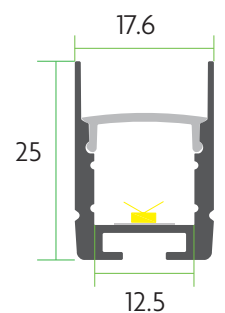


LEDCHAN520

Profile Finish



Diffuser Material



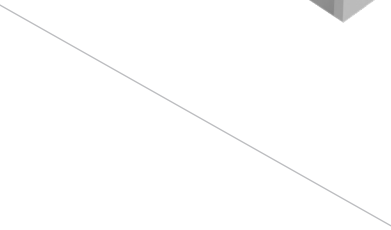
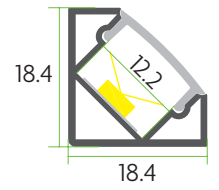


LEDCHAN170

Profile Finish



Diffuser Material

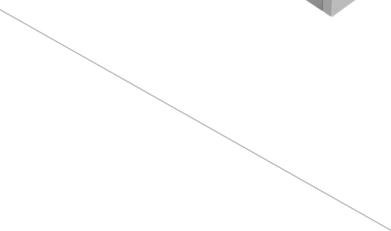
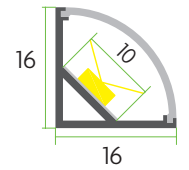


LEDCHAN200

Profile Finish



Diffuser Material

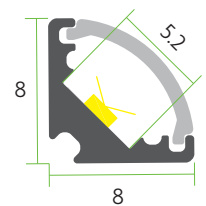


LEDCHAN510

Profile Finish



Diffuser Material





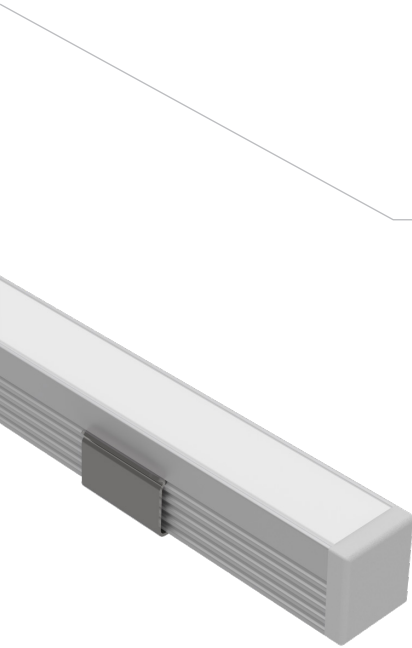
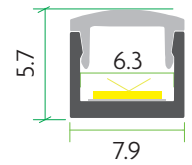
LEDCHAN650

Profile Finish



Diffuser Material

Opal



LEDCHAN790

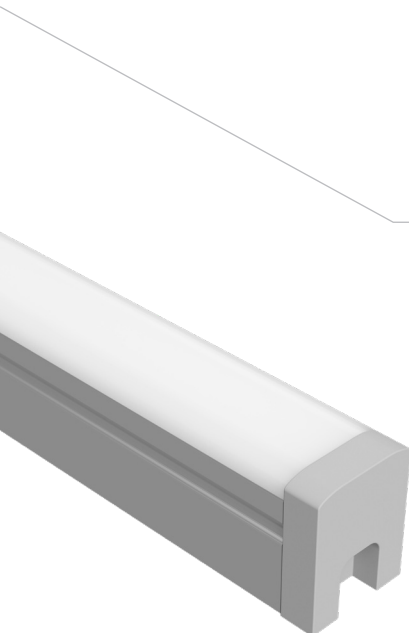
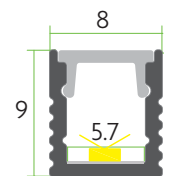
Profile Finish



Diffuser Material

Opal

Black



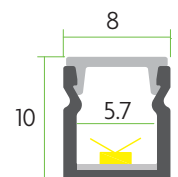
LEDCHAN720

Profile Finish



Diffuser Material

Opal

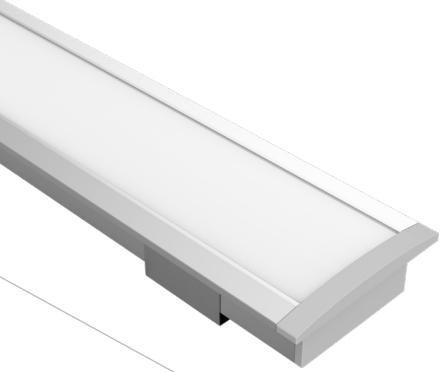


RECESS MOUNT PROFILES

Our recessed mount profile range is engineered to give joiners greater design freedom across a broad spectrum of applications. With multiple profile depths and widths available, these solutions make it easy to achieve clean, integrated lighting outcomes that suit both practical task lighting and refined architectural detailing in kitchens, cabinetry, retail joinery, and bespoke fit-outs.

Profiles are supplied in a standard silver finish, however if a specific colour match is required, custom wet spray or powdercoated finishes can be specified. A selection of opal and black diffuser options are available allowing light diffusion, and visual comfort to achieve the desired lighting effect.

End caps and mounting clips/spring clips are sold individually, as some installers prefer alternative fixing methods. For smaller recessed profiles, installation is commonly achieved with countersunk screws through the base of the profile.

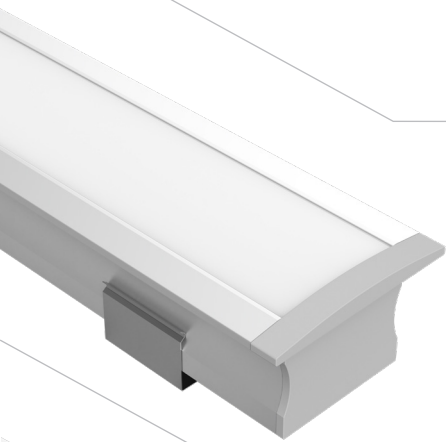
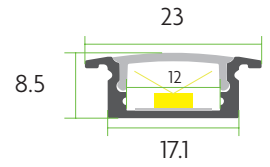


LEDCHAN120

Profile Finish



Diffuser Material

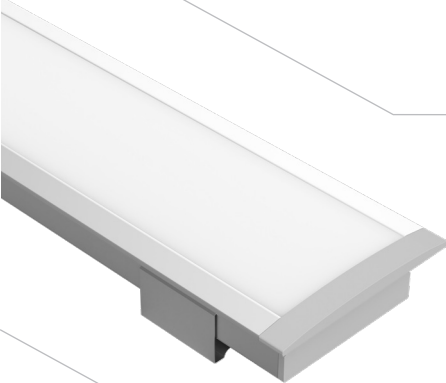
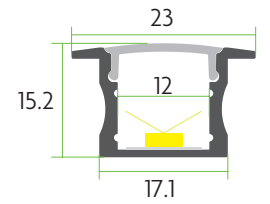


LEDCHAN140

Profile Finish



Diffuser Material

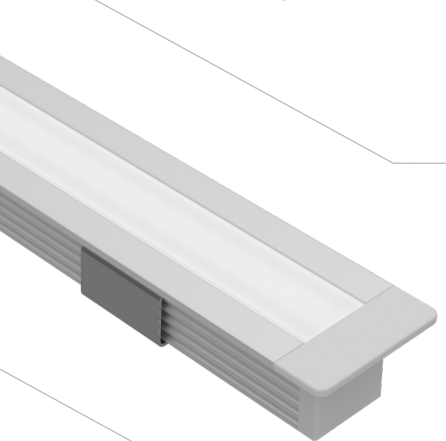
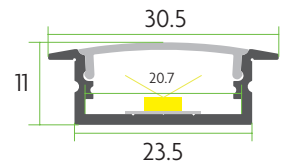


LEDCHAN250

Profile Finish



Diffuser Material

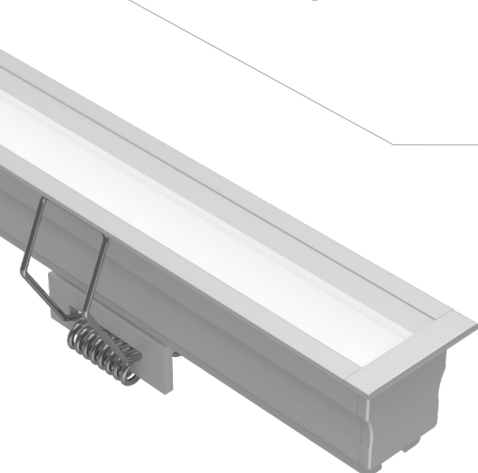
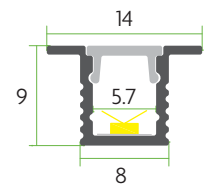


LEDCHAN780

Profile Finish



Diffuser Material

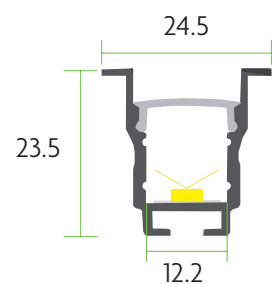


LEDCHAN530

Profile Finish

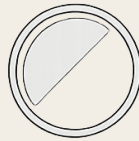


Diffuser Material



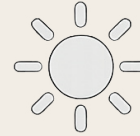
INTERIOR SMD STRIP

Dimmable



2700K/3000K/4000K

RGB/RGBW



Our Classic Series SMD LED strips are a trusted lighting solution designed for both residential and commercial applications across New Zealand. Operating on 24VDC, this versatile range is available in a wide selection of wattages and colour temperatures, making it easy to achieve the right lighting effect for everything from subtle ambient illumination to high-output task lighting.

Backed by a 5-year warranty, the range is engineered for long-term reliability and consistent performance. Strips can be custom cut and prepared in-house by Task Lighting to suit project requirements, helping streamline installation time, or alternatively can be cut and soldered on-site for complete flexibility during installation.

When selecting an SMD LED strip, it is important to consider both LED density and aluminium profile depth. Lower density strips can create visible spotting or “dotting,” particularly when installed in shallow profiles or applications where the LED source is directly visible. Higher density strips provide a smoother, more refined appearance with improved light consistency, especially in joinery, shelving, and feature lighting applications where visual finish is critical.



LS100-24V-5W-CCT

Wattage: 5W/m
 Voltage: 24VDC
 Lumen Output: 570lm/m @ 3K
 Colour Temperatures: 22K 27K 3K 4K 55K
 LEDs/m: 140 Cut point: 50mm
 Max single feed run: 10m



LS100-24V-10W-CCT

Wattage: 10W/m
 Voltage: 24VDC
 Lumen Output: 915lm/m @ 3000K
 Colour Temperatures: 22K 27K 3K 4K 55K
 LEDs/m: 140 Cut point: 50mm
 Max single feed run: 10m



LS100-24V-15W-CCT

Wattage: 15W/m
 Voltage: 24VDC
 Lumen Output: 1515lm/m @ 3K
 Colour Temperatures: 18K 22K 27K 3K 4K 55K
 LEDs/m: 140 Cut point: 50mm
 Max single feed run: 10m



SCAN FOR THE FULL RANGE



LS100-24V-15W-RGB

Wattage: 15W/m
 Voltage: 24VDC
 Colour: RGB
 LEDs/m: 60 Cut point: 100mm
 Max single feed run: 5m



LS100-24V-15W-RGBWCCT

Wattage: 15W/m
 Voltage: 24VDC
 Colour Temperatures (white): 3K 4K
 LEDs/m: 120 Cut point: 50mm
 Max single feed run: 5m

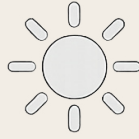


LS100-24V-19W-RGBWCCT

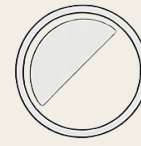
Wattage: 19W/m
 Voltage: 24VDC
 Colour Temperatures (white): 3K 4K
 LEDs/m: 60 Cut points: 100mm
 Max single feed run: 5m

INTERIOR COB STRIP

2700K/3000K/4000K
RGB/RGBW



Dimmable



Our COB LED strip range delivers a continuous, dot-free line of light, creating a smooth and refined finish regardless of the aluminium profile depth used. Unlike traditional SMD LED strips, COB technology eliminates visible spotting, making it ideal for exposed installations, shallow profiles, and high-end joinery applications where lighting appearance is critical.

Designed for both residential and commercial projects, the range is available in both standard and micro size options, allowing greater flexibility for larger installations or compact, discreet applications where space is limited. The micro versions are especially suited to slimline profiles and detailed cabinetry work while still maintaining an even light output.

COB LED strips also feature closer cut points than traditional SMD strips, allowing for more precise cutting and cleaner installation results with minimal shadowing or dark sections. Backed by a 5-year warranty, strips can be custom cut and prepared in-house by Task Lighting to suit project requirements, or cut and soldered on-site for maximum installation flexibility.



LS300-24V-6W-CCT

Wattage: 6W/m
 Voltage: 24VDC
 Lumen Output: 550lm/m @ 3K
 Colour Temperatures: 27K 3K 4K
 LEDs/m: 560 Cut points: 25mm
 Max single feed run: 7m



LS300M-24V-6W-CCT

Wattage: 6W/m
 Voltage: 24VDC
 Lumen Output: 570lm/m @ 3K
 Colour Temperatures: 27K 3K 4K
 LEDs/m: 480 Cut points: 50mm
 Max single feed run: 5m

LS300-24V-12W-CCT

Wattage: 12W/m
 Voltage: 24VDC
 Lumen Output: 1070lm/m @ 3K
 Colour Temperatures: 27K 3K 4K 55K
 LEDs/m: 560 Cut points: 25mm
 Max single feed run: 5m

LS300M-24V-8W-CCT

Wattage: 8W/m
 Voltage: 24VDC
 Lumen Output: 760lm/m @ 3K
 Colour Temperatures: 27K 3K 4K
 LEDs/m: 528 Cut points: 45.2mm
 Max single feed run: 5m



LS300-24V-15W-RGB

Wattage: 15W/m
 Voltage: 24VDC
 Colour: RGB
 LEDs/m: 840 Cut points: 25mm
 Max single feed run: 5m



LS300-24V-18W-RGBWCCT

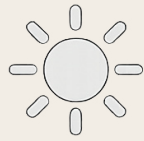
Wattage: 18W/m
 Voltage: 24VDC
 Colour Temperatures (white): 3K 65K
 LEDs/m: 784 Cut points: 71.43mm
 Max single feed run: 5m

SCAN FOR THE FULL RANGE

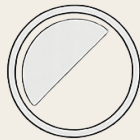


EXTERIOR SMD STRIP

2700K/3000K/4000K
RGB/RGBW



Dimmable



Our Classic Series IP65 sleeved SMD LED strip range is designed for applications requiring added protection against moisture and dust, making it ideal for kitchens, bathrooms, laundries, and selected exterior installations out of direct sunlight. Operating on 24VDC, the range is available in a wide variety of wattages and colour temperatures, providing flexible lighting solutions for both residential and commercial projects.

Encased within a protective IP65 silicone sleeve, these strips offer enhanced durability while maintaining excellent light output and installation flexibility. Backed by a 5 year warranty following the correct installation, strips are custom cut and sealed in house by Task Lighting to suit project requirements.

As with all SMD LED strips, LED density and profile depth are important considerations when selecting the right product. Lower density strips may produce visible spotting, particularly in shallow aluminium profiles or exposed applications where the light source can be directly seen. Higher density options provide a smoother and more consistent appearance, making them better suited to premium joinery and architectural lighting applications where visual finish is important.



LS100E-24V-5W-CCT

Wattage: 5W/m
 Voltage: 24VDC
 Lumen Output: 540lm/m @ 3K
 Colour Temperatures: 27K 3K 4K 55K
 LEDs/m: 140 Cut points: 50mm
 Max single feed run: 10m



LS100E-24V-10W-CCT

Wattage: 10W/m
 Voltage: 24VDC
 Lumen Output: 860lm/m @ 3K
 Colour Temperatures: 27K 3K 4K 55K
 LEDs/m: 140 Cut points: 50mm
 Max single feed run: 10m



LS100E-24V-15W-CCT

Wattage: 15W/m
 Voltage: 24VDC
 Lumen Output: 1440lm/m @3K
 Colour Temperatures: 18K 22K 27K 3K 4K 55K
 LEDs/m: 140 Cut points: 50mm
 Max single feed run: 10m



LS100E-24V-19W-CCT

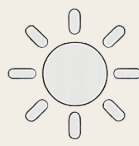
Wattage: 19W/m
 Voltage: 24VDC
 Lumen Output: 1735lm/m @ 3K
 Colour Temperatures: 27K 3K 4K 55K
 LEDs/m: 240 Cut points: 25mm
 Max single feed run: 5m

SCAN FOR THE FULL RANGE

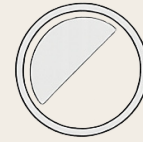


EXTERIOR COB STRIP

2700K/3000K/4000K
RGB/RGBW



Dimmable



Built for environments where a clean lighting finish and added protection are equally important, our IP65 COB LED strip range combines seamless illumination with the durability needed for demanding interior and sheltered exterior applications. The silicone sleeved construction helps protect against moisture and dust, making it well suited to kitchens, bathrooms, bar areas, shopfitting, and outdoor installations protected from direct UV exposure.

Using advanced COB technology, the strip produces a continuous, uniform line of light with no visible LED spotting, even when installed in shallow profiles. This creates a refined architectural finish that is ideal for modern joinery and feature lighting applications where the light source remains visible.

All IP65 COB strips are backed by a 5 year warranty following the correct installation and are custom cut and sealed in house by Task Lighting to suit project requirements, helping reduce installation time while delivering a professional finish.



LS300E-24V-6W-CCT

Lumen Output: 550lm/m @ 3K
 Wattage: 6W/m
 Voltage: 24VDC
 Colour Temperatures: 27K 3K 4K
 LEDs/m: 560 Cut points: 25mm
 Max single feed run: 7m



LS300E-24V-12W-CCT

Lumen Output: 1070lm/m @ 3K
 Wattage: 12W/m
 Voltage: 24VDC
 Colour Temperatures: 27K 3K 4K
 LEDs/m: 560 Cut points: 25mm
 Max single feed run: 5m



LS300E-24V-15W-RGB

Wattage: 15W/m
 Voltage: 24VDC
 Colour: RGB
 LEDs/m: 840 Cut points: 25mm
 Max single feed run: 5m



LS300E-24V-18W-RGBWCCT

Wattage: 18W/m
 Voltage: 24VDC
 Colour Temperature (white): 3K 65K
 LEDs/m: 784 Cut points: 71.43mm
 Max single feed run: 5m

SCAN FOR THE
 FULL RANGE



FREE CUT COB STRIP



Our LS700S IP54 strip is available in a wide range of outputs and colour temperatures giving you the freedom to tailor light exactly to the application with its free-cut design, there's no need to work around the 10mm illuminated cut points - create seamless runs, corners, and shapes exactly where you need them.

Designed for ease of installation, this series is fully compatible with our Hippo Mini connectors, making joins, tight corners, and T connections quick and efficient with no soldering required. Featuring an IP54 coating as standard, the LS700S is designed to suit majority of installations - covering around 90% of everyday applications.



LS700S Series

HIGH PERFORMANCE FOR EVERY PROJECT

LS700S-24V-WATTS-CCT

Wattage: 5W, 10W, 15W, 20W/m

Voltage: 24VDC

Colour: 27K 3K 4K

LEDs/m: 400 Cut points: 10mm illuminated

Max single feed run: Up to 10m based on output

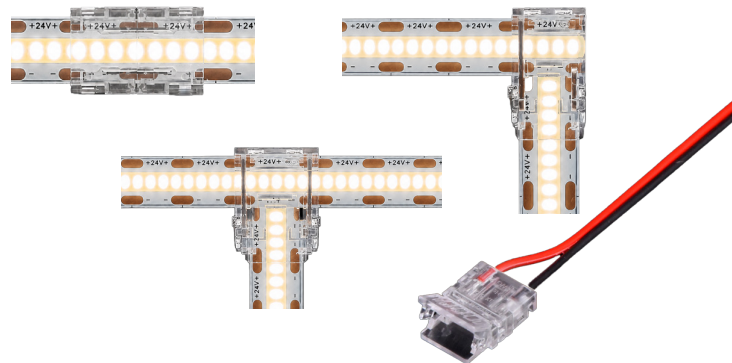
SCAN FOR THE FULL RANGE



Features

- Free cut design with 10mm illuminated cut points.
- 24V Constant Voltage output.
- Up to 120 lumens per watt.
- CRI90.
- L80B10 @ 50,000Hrs.
- 5 year warranty.

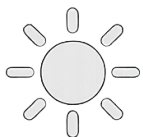
Compatible with our Hippo Mini Connectors



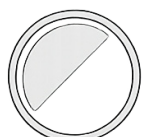


TUNEABLE WHITE COB STRIP

2700-6500K



Dimmable



50mm cut points



Achieve complete flexibility with our Tuneable White COB LED strip, allowing seamless adjustment of colour temperature from a warm 2700K through to a crisp 6500K when paired with a suitable controller. This enables you to create the ideal lighting environment for any application, whether prioritising comfort, functionality, or visual impact.

Featuring advanced COB (Chip-on-Board) technology, the strip delivers a completely dot-free line of light, producing a smooth and uniform appearance in both shallow and deep aluminium profiles. This makes it an excellent choice for installations where the light source may be visible or reflected on surrounding surfaces.



LS300-24V-14W-TW

Wattage: 14W/m

Voltage: 24VDC

Lumen Output: 600lm/m @ 3000K

LEDs/m: 640

Max single feed run: 5m

LS300-24V-24W-TW

Wattage: 24W/m

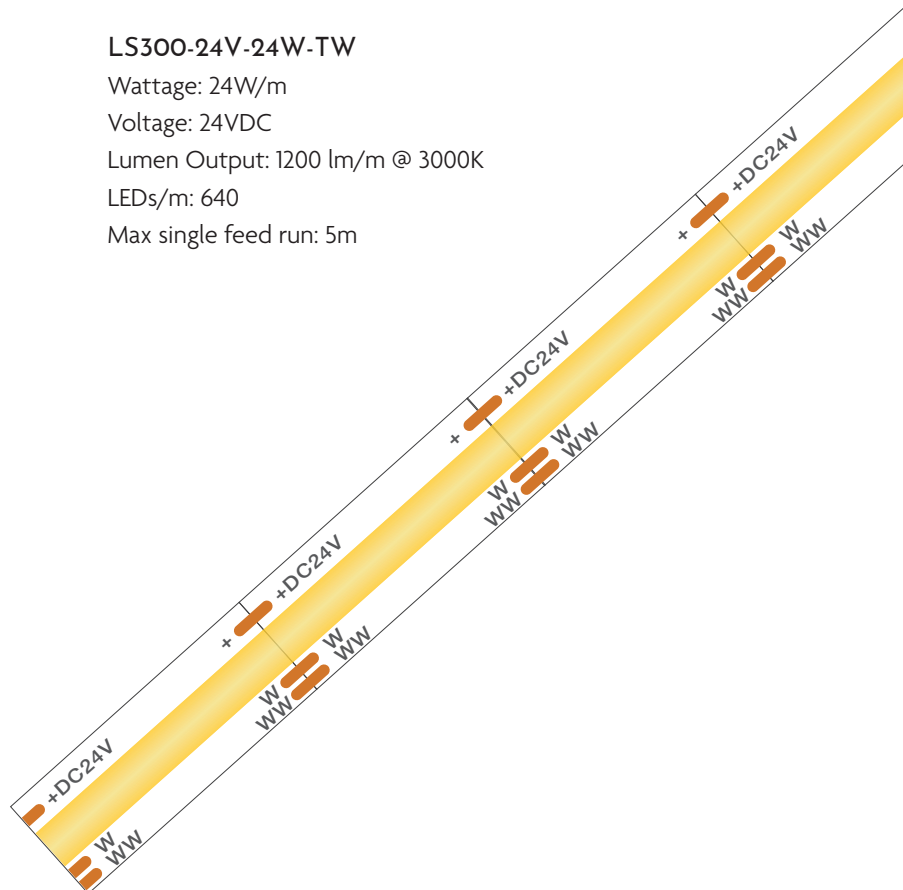
Voltage: 24VDC

Lumen Output: 1200 lm/m @ 3000K

LEDs/m: 640

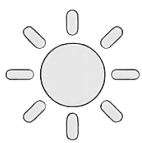
Max single feed run: 5m

SCAN FOR THE
FULL SPEC

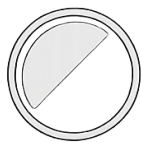


DIM TO WARM STRIP

1800-3000K



Dimmable



50mm cut points



Our Dim to Warm LED Strip is designed to recreate the inviting ambience of traditional incandescent lighting, smoothly transitioning from a crisp 3000K at full brightness down to an ultra-warm 1800K when dimmed. This natural warming effect creates a comfortable, relaxing atmosphere ideal for residential joinery, hospitality spaces, feature lighting, and high-end interior applications.

Featuring a high-density 140 LEDs per metre design, the strip delivers a smooth, consistent line of illumination when paired with the appropriate profile.

Compatible with suitable phase dimmable drivers and control gear, this Dim to Warm solution provides seamless dimming performance while enhancing both the functionality and mood of the space.



SCAN FOR THE
FULL SPEC



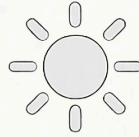
LS100-24V-19W-DTW
Wattage: 19W/m
Lumen Output: 1555lm/m
LEDs/m: 140
Max single feed run: 5m

NEON FLEX

10X10MM

3000K/4000K

Dimmable



100mm cut points



Our 10 × 10mm Neon Flex delivers a smooth, continuous line of illumination with the flexibility to suit both straight runs and complex curved installations. Its unique 3D bendable construction allows the product to flex horizontally and vertically, making it ideal for creative lighting designs, rounded joinery features, architectural details, and custom interior applications.

Operating at 8W/m, it produces a soft, subtle lighting effect that enhances surfaces and creates refined ambient illumination without overpowering the space. LDNF400 provides a balanced combination of flexibility, durability, and consistent light output, making it suitable for a wide range of residential and commercial joinery projects.

SCAN FOR THE
FULL SPEC





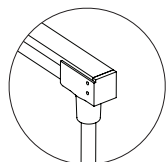
LDNF400-CCT-BF

Wattage: 8W/m
 Voltage: 24VDC
 Lumen Output: 690lm/m @ 3K
 Colour Temperature: 3K 4K
 Max run: 5m
 Connection Position: Bottom

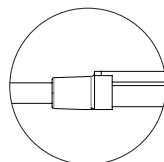
LDNF400-CCT-EF

Wattage: 8W/m
 Voltage: 24VDC
 Lumen Output: 690lm/m @ 3K
 Colour Temperature: 3K 4K
 Max run: 5m
 Connection Position: End

CONNECTION OPTIONS

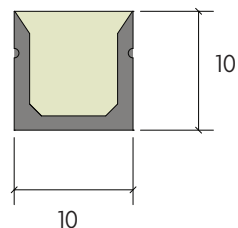


Bottom



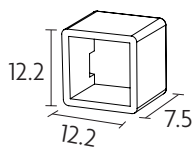
End

DIMENSIONS

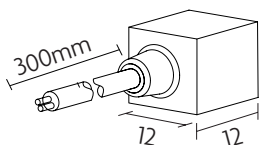


ACCESSORIES

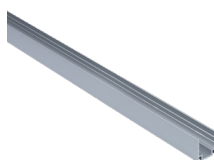
LDNF400-EC
 End cap no hole



LDNF400-FC
 Cable connection



MOUNTING OPTIONS

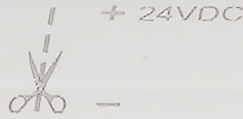


LDNF400-AP-1M
 Silver Anodised Aluminium Profile 1000mm



LDNF400-AC
 Silver Anodised Aluminium Clip 25mm

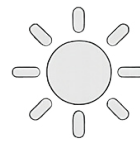
LDNF400-FST
 3D Stainless Steel U Channel 1000mm



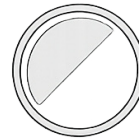
MICRO NEON FLEX

4X8MM

3000K/4000K



Dimmable



50mm cut points



Our Micro Neon Flex delivers a clean, seamless line of illumination while fitting into areas where traditional lighting products simply won't. Its compact form factor makes it ideal for cabinetry, shelving, recessed details, feature lighting, and installations where minimal visibility and tight tolerances are critical.

Suitable for both straight installations and curved applications, this versatile Neon Flex is perfect for rounded joinery features, custom detailing, and creative interior lighting designs. Operating at 8W/m, it produces a soft, subtle lighting effect that enhances surfaces and architectural details without overpowering the space.

For maximum installation flexibility, the Neon Flex can be custom cut to required lengths and installed either sealed with silicone end caps or left exposed for interior applications where space is limited and a flush finish is preferred. Applying silicone to exposed ends can also help minimise dust ingress while maintaining a refined appearance.



LDNF400M-CCT-5M

Wattage: 8W/m

Voltage: 24VDC

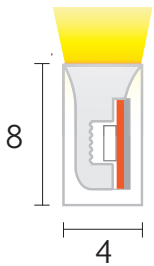
Lumen Output: 170lm/m @ 3K

Colour Temperature: 3K 4K

Max run: 5m

Connection Position: End

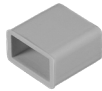
DIMENSIONS



ACCESSORIES



LDNF400M-MC
Mounting Clips



LDNF400M-EC1
Endcap no hole



LDNF400M-EC2
Endcap with hole

SCAN FOR THE FULL SPEC



POWER



We offer a range of LED drivers designed to power your lighting solutions with consistency and performance. Available in 24VDC with a variety of outputs and dimming functions, our driver range supports a wide variety of LED strip applications commonly used in joinery.

From standard non-dimmable drivers through to phase dimmable, IP rated, and slimline formats, there's a solution to suit every installation environment. Whether you're working within tight cabinetry spaces or moisture-prone areas, our range is built to offer flexibility without compromising on reliability.

Designed with practicality in mind, our drivers are easy to integrate and pair seamlessly with our LED strip and control systems. A 5-year warranty across the full range provides added confidence for both installers and end users.

For optimal performance and longevity, drivers should be installed in well-ventilated areas and must not be covered. Please note that some models require a minimum load to operate correctly—refer to individual specifications when selecting your driver.



PSTW SERIES 24VDC

- Fixed Output.
- Available in a range of wattages from 6-150W.
- Large terminals great for looping TPS.
- Interior IP20



PSHLA SERIES 24VDC

- Available in a range of wattages from 20-80W.
- Interior IP20
- 5-100% dimming capability with a recommended 70-100% loading range, dimming results can vary outside this range.



PSSC SERIES 24VDC

- Available in a range of wattages from 100W-360W.
- Phase dimmable 200-240VAC Input.
- IP66 design for outdoor installations.
- Exterior IP66



PSSC TDHS SLIMLINE SERIES 24VDC

- Available in a range of wattages from 30-150W.
- Phase dimmable 200-240VAC Input.
- IP20 design for indoor installations.



LIFUD SERIES 24VDC

- Fixed output.
- Available in a range of wattages from 75-150W.
- IP67 design for outdoor/indoor installations.



PSSC TDE SLIMLINE SERIES 24VDC

- Available in a range of wattages from 30-150W.
- Phase dimmable 200-240VAC Input.
- IP66 design for outdoor and indoor installations.

CONTROL



A complete range of control options designed to give you flexibility across every joinery project. From simple single colour dimming through to full RGBW control, our controllers, remotes, wall panels and RF systems are built to integrate seamlessly with our LED strip solutions.

Whether you're lighting cabinetry, shelving, or feature joinery, our control range allows you to tailor the lighting experience to suit the application. Choose from handheld remotes, sleek wall-mounted panels, or compact controller kits that are all designed for easy installation and intuitive operation.

Our RF based system enables reliable wireless control with strong signal range, allowing multiple fittings to be controlled from a single remote or panel. Controllers can also be paired across zones, giving you the ability to manage different areas independently or synchronise them for a consistent lighting effect.

With a wide selection of formats and functions available, Task Lighting control solutions make it easy to deliver a refined, functional lighting result no matter the scale or complexity of the project. A 5-year warranty across the full range provides added confidence for both installers and end users.

CONTROL KITS

LCDM600 SINGLE COLOUR



LCRGB800 RGB



LCRGBW100 RGBW



- Single Zone controller kits for single colour, RGB and RGBW strip with a 12-24VDC output.
- 2.4GHz wireless technology with 30m unobstructed control distance.
- Auto transmitting function from one receiver to another within 15m.
- CR2032 battery required. Not included.

CONTEMPORARY

RT-1 ZONE



RT-4 ZONE



RT-2 ZONE



- Ultra-sensitive touch dimming wheel.
- 1, 4 zone control options.
- 0-100% smooth dimming.
- RF 2.4Ghz 30m (max) remote distance unobstructed.
- Working voltage 3VDC (2 x AAA batteries) Not included.
- LED indicator light.

SLIMLINE

RS1 4 ZONE



RS4 4 ZONE



SCAN FOR THE FULL RANGE



- Magnet backing for easy surface mounting.
- Ultra-sensitive touch dimming/colour wheel.
- 1-4 zone control.
- 0-100% smooth dimming.
- RF 2.4Ghz 30m (max) remote distance unobstructed.
- Working voltage 3VDC (2 x AAA batteries) Not included.



SLIDER

R111 1 ZONE

- Ultra sensitive dimming remote with touch slide.
- 1 zone control.
- Each remote can sync with one or more receivers.
- CR2032 battery powered. Not included.

SCAN FOR THE FULL RANGE



WALL PANELS

LCDMSD-T1
Single Colour



LCRGBSD-T3
RGB



LCRGBWSD-T4
RGBW



- 12-24VDC Single zone glass wall panels available for single colour, RGB and RGBW LED.
- Black and White models available.
- Compatible with our wireless 2.4GHz remote range.
- Touch keys with chord tones and LED indicator.

LCDMXSD-T11
Single Colour



LCDMXSD-T14
RGBW



LCDMXSD-T12
TUNEABLE WHITE



- DMX Wired output or PWM RF output.
- 4 Independently controllable zones.
- DMX signal output, units are compatible with all brands of DMX decoders.
- Ability to use wireless control with multiple receivers.
- Ultra-sensitive with high strength glass touch panel and touch colour wheel to control colours.
- Touch keys with chord tones and LED indication.



TASK
LIGHTING

E: sales@tasklighting.co.nz

T: 09 820 0004

www.tasklighting.co.nz